



a xylem brand


**MODELS 36760-0115 FLANGEMOUNT**  
**36760-0220 FLANGEMOUNT**  
**36770-0115 FLEXMOUNT**  
**36770-0220 FLEXMOUNT**

**CONTINUOUS DUTY 4" BLOWER**

- 115 VOLT AC, 60 Hz
- 220 VOLT AC, 50 Hz

**FEATURES**

- Extended Life Induction Motor
- Tough Reinforced Thermoset Plastic Housing
- Continuous-Duty Motor with Thermal Overload Protection
- Flangemount Mounts to any Flat Surface
- Flexmount Universal Bracket Permits Outlet to Face any Direction
- Slip-on Inlet Ducting Connection
- Efficient High Volume Air Flow
- Low Current Draw

**⚠ WARNING**  

**Explosion hazard. Motor can spark. Explosion & death can occur. Do not use where flammable vapors are present.**

- Corrosion-Resistant Materials Throughout

**APPLICATION**

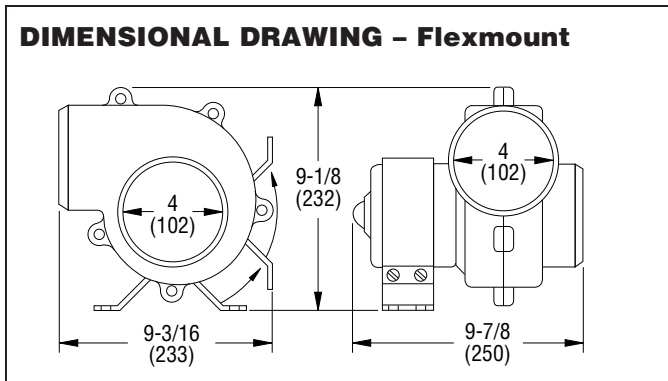
The Jabsco AC blowers are ideal for ventilating equipment areas. They may also be used for engine room ventilation on vessels with **diesel powered engines only**. THIS BLOWER IS NOT IGNITION PROTECTED. DO NOT USE TO EXHAUST FLAMMABLE VAPORS SUCH AS GASOLINE FUMES OR MOUNT IN AN AREA WHICH MAY CONTAIN FLAMMABLE

**FLEXMOUNT INSTALLATION**

Mount blower on flat bulkhead surface in highest part of compartment free from spray or deck wash. Blower may be rotated in mounting bracket to facilitate the shortest route of ducting.

**SPECIFICATIONS - Flexmount**

Model	Air Flow	Voltage	Amps	Fuse Size	Weight lb (kg)
36770-0115	250 CFM (7.0 m <sup>3</sup> /min)	115 AC 60Hz	1.5	2A AGC	9 (4.1)
36770-0220	200 CFM	220 AC	.35	.5A	9 (4.1)



**Flexmount**

**Flangemount**

**Models 36760 & 36770**

**WIRING**

All wiring should be done by a qualified electrician and conform with regulations. A minimum of 16 gauge THW wire should be used for lengths of up to 50 feet from the power source. A separate ground wire should be secured to the grounding wire attached to the motor case and connected to a common ground. A switch of minimum 2 Amp rating may also be installed in the hot electrical lead (between breaker and blower) to control blower operation. The neutral conductor should be connected directly from the neutral buss to the blower motor.

**WIRE COLOR CODE**

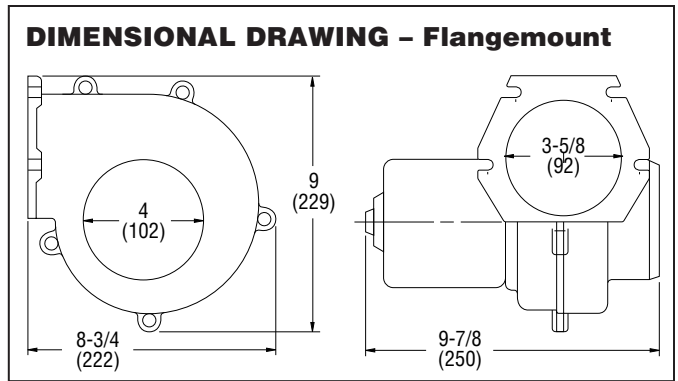
Models	Ground (earth)	Common (neutral)	Line (positive)
115 Volt	Green	White	Black

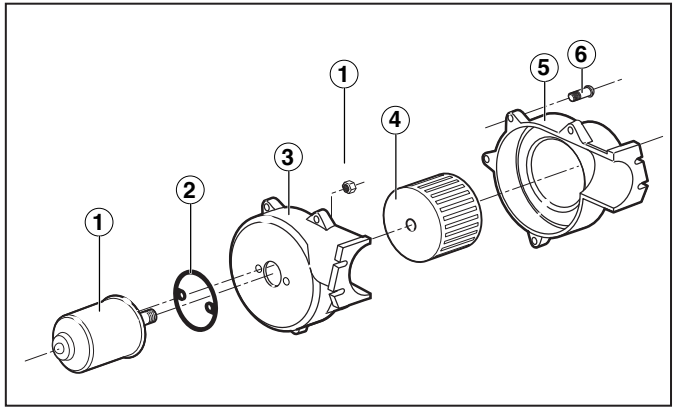
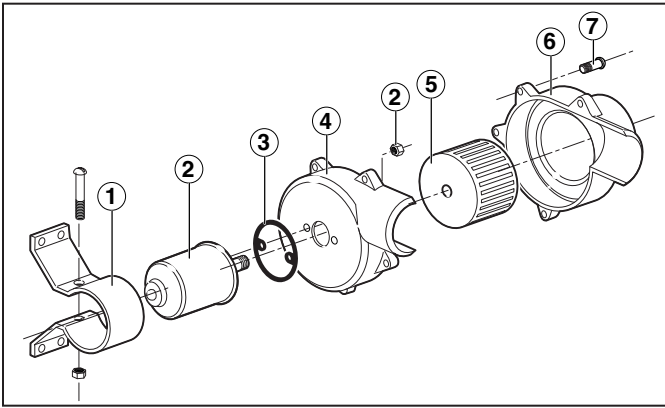
**FLANGEMOUNT INSTALLATION**

The blower housing flange should be mounted on a flat bulkhead surface. Selection of a dry cool location will prolong motor life. When location is selected, cut a 3-5/8" hole through bulkhead to align with discharge port of blower. Secure discharge port flange to bulkhead using #10 screws and flat washers. Tighten screws evenly to avoid flange damage.

**SPECIFICATIONS - Flangemount**

Model	Air Flow	Voltage	Amps	Fuse Size	Weight lb (kg)
36760-0115	250 CFM (7.0 m <sup>3</sup> /min)	115 AC 60Hz	1.5	2A AGC	8 (3.6)
36760-0220	200 CFM	220 AC	.35	.5A	8 (3.6)



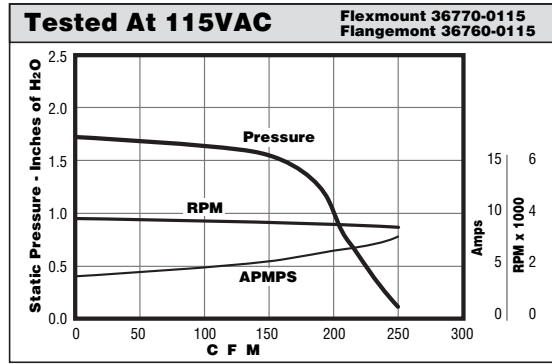
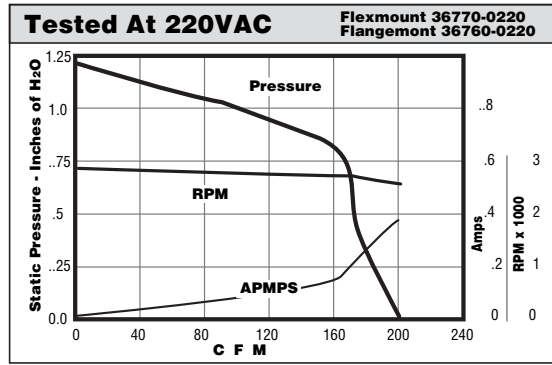
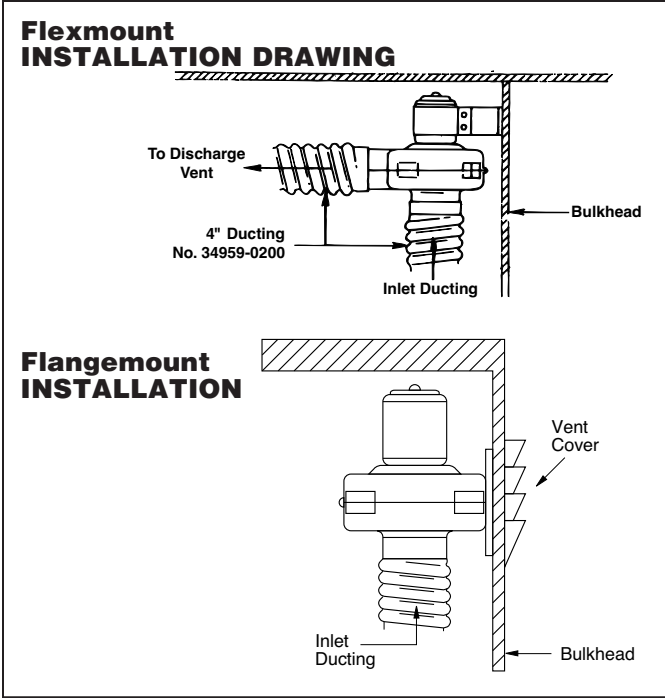


**PARTS LIST - Flexmount**

Key	Description	Qty.	Part Number
1	Bracket Assembly (includes screw & nut)	1	35595-1000
2	Motor Kit 115 VAC Motor Kit 220 VAC (includes mounting nuts)	1	18753-0607 18753-0625
3	Gasket	1	
4	Blower Housing	1	35645-0000
5	Blower Wheel	1	35714-0000
6	Blower Housing	1	35644-0000
7	Screw 8 x 5/8 SS Self Tapping Pan Head	5	35508-0000

**PARTS LIST - Flangemount**

Key	Description	Qty.	Part Number
1	Motor Kit 115 VAC Motor Kit 220 VAC (includes mounting nuts)	1	18753-0607 18753-0625
2	Gasket	1	
3	Blower Housing	1	35706-0000
4	Blower Wheel	1	35714-0000
5	Blower Housing	1	35705-0000
6	Screw 8 x 5/8 SS Self Tapping Pan Head	5	35508-0000



Maximum Static Pressure – 1.7 in. H<sub>2</sub>O (115 VAC)  
1.2 in. H<sub>2</sub>O (220 VAC)

THE PRODUCTS DESCRIBED HEREIN ARE SUBJECT TO THE JABSCO ONE YEAR LIMITED WARRANTY, WHICH IS AVAILABLE FOR YOUR INSPECTION UPON REQUEST.

[www.xylemflowcontrol.com](http://www.xylemflowcontrol.com)

Jabco, 100 Cummings Center, Ste. 535-N, Beverly, MA 01915  
Tel: +1 978 281 0440 Fax: +1 978 283 2619

Jabco, Bingley Road, Hoddesdon, Hertfordshire, EN11 0BU  
Tel: +44 (0) 1992 450 145 Fax: +44 (0) 1992 467 132

NHK Jabco Co Ltd, 3-21-10, Shin - Yokohama Kohoku-ku, Yokohama 222  
Tel: +81 (0) 45 475 8906 Fax: +81 (0) 45 475 8908

Jabco GmbH, Oststraße 28, 22844 Norderstedt  
Tel: +49 (0) 40 53 53 73 0 Fax: +49 (0) 49 53 53 73 11

Jabco Italia, s.r.l., Via Tommaso, 6, 20059 Vimercate, Milano  
Tel: +39 039 685 2323 Fax: +39 039 666 307

USA

UK

JAPAN

GERMANY

ITALY



a xylem brand