



## *HoseCoil* *Cockpit Washdown System* Flush Mount Enclosure



## Cockpit Washdown System

The perfect solution for installing a washdown hose on your boat in an out-of-the-way location. This clever design will allow you to mount the enclosure flush into your deck or bulkhead. Cut a 6.75" (17.14 cm) hole and mount the enclosure with the supplied stainless steel fasteners. Simply plumb from a Jabsco/Flojet washdown pump to the solid brass supply fitting. Included are hose fittings that will help you adapt to popular sizes of marine plumbing. A fitting on the bottom of the enclosure is also provided for proper drainage. Never trip on a hose again!

Jabsco

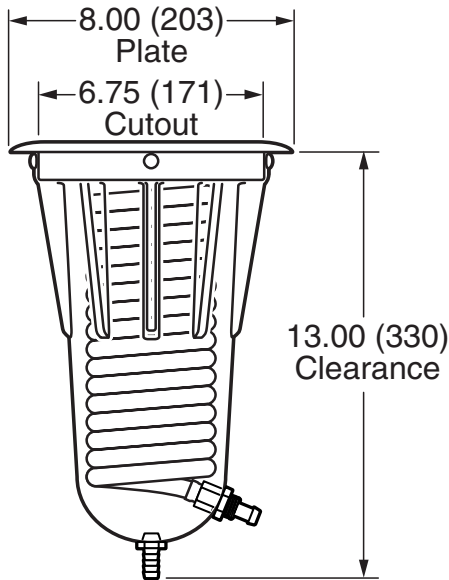


**ITT Industries**  
*Engineered for life*



### DIMENSIONAL DRAWING

Inches (Millimetres)



### FEATURES

#### Enclosure Features:

- Lightweight durable plastic material
- Exposed surface UV stabilized
- Provides convenient stowing of integrated HoseCoil
- Easy to use and install

#### HoseCoil Features:

- 3/8" (10 mm) ID Polyurethane
- 90% usable length
- Self-Coiling
- Solid brass fittings
- UV Inhibitor

MODEL NO.	DESCRIPTION
31910-1115	Cockpit Washdown System Flush Mount Enclosure with 15' (4.57 m) Blue HoseCoil

Distributed by:

Jabsco



**Jabsco**, 20 Icon, Foothill Ranch, CA 92610  
Tel : + 1 949 609 5106 Fax : +1 949 859 1254

**Jabsco**, Bingley Road, Hoddesdon, Hertfordshire, EN11 0BU  
Tel : +44 (0) 1992 450 145 Fax : +44 (0) 1992 467 132

**Fluid Products Canada**, 55 Royal Road, Guelph, Ontario N1H 1T1  
Tel : +1 519 821 1900 Fax : +1 519 821 5316

**NHK Jabsco Co Ltd**, 3-21-10, Shin - Yokohama, Kohoku-ku, Yokohama 222  
Tel : +81 (0) 45 475 8906 Fax : +81 (0) 45 475 8908

**Jabsco GmbH**, Oststraße 28, 22844 Norderstedt  
Tel : +49 (0) 40 53 53 73 0 Fax : +49 (0) 40 53 53 73 11

**USA**

**UK**

**CANADA**

**JAPAN**

**GERMANY**

Warranty: All products of the company are sold and all services of the company are offered subject to the company's warranty and terms and conditions of sale, copies of which will be furnished upon request. The information provided herein is for guidance only, it does not constitute a guarantee of the performance or specification of any individual product or component.