



# Mini Accumulator Tank

## Introducing the New Mini Accumulator Tank

- Smooth flow; reduced cycling
- Compact design for smaller systems & spaces
- Quick-connect fittings included
- Fluid capacity of 21.5 oz. (0.6 liters)
- Pre-charged to 10 psi (0.7 bar)
- Operating system pressure up to 125 psi (8.6 bar)
- Mount in any position



The mini accumulator tank smoothes water flow and reduces on/off switch cycling of the pump by lessening the variation in pressure and flow between the pump and the system discharge points. The even flow of water gives better control of hot water temperature with systems using instant water heaters. Its compact design also allows for convenient installation in tight spaces.

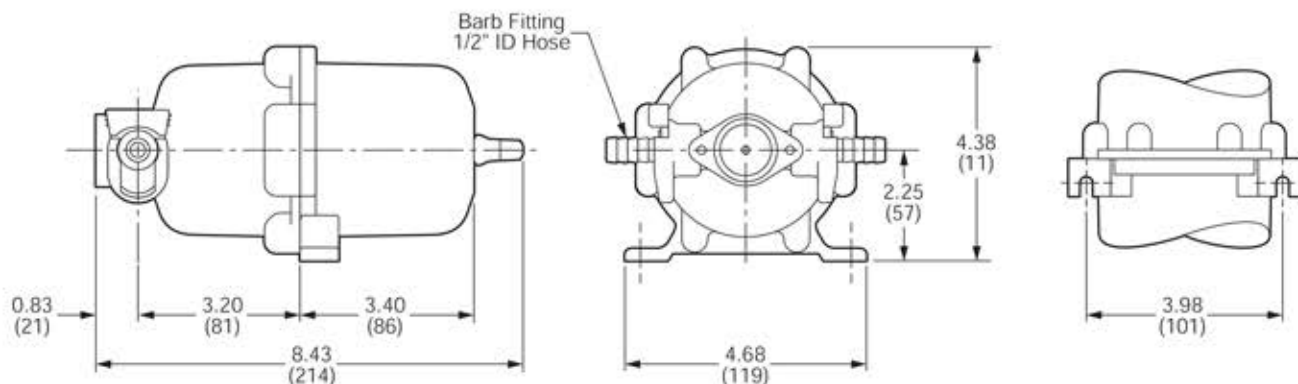
Specifications			
Model	Fluid Capacity	Pre-charged Pressure	Operating System Pressure
30573-0003	21.5 oz (0.6 liters)	10 psi (0.7 bar)	125 psi (8.6 bar)



## Jabsco Mini Accumulator Tank

30573-0003

### Dimensional Drawings Inches (mm)



For optimum performance, air pressure may be adjusted to 3 psi (0.2 bar) lower than the pump switch-on pressure.

Jabsco

[www.jabsco.com](http://www.jabsco.com)

#### USA

Jabsco  
1 Kondelin Road  
Gloucester, MA 01930  
Tel: 978 281 0440  
Fax: 978 281 2619

#### UK

Jabsco  
Bingley Road, Hoddesdon  
Hertfordshire EN11 0BU  
Tel: +44 (0) 1992 450145  
Fax: +44 (0) 1992 467132

#### CANADA

Fluid Products Canada  
55 Royal Road  
Guelph, Ontario N1H 1T1  
Tel: 519 821 1900  
Fax: 519 821 2569

#### JAPAN

NHK Jabsco Company Ltd.  
3-21-10, Shin-Yokohama  
Kohoku-Ku, Yokohama, 222  
Tel: 045 475 8906  
Fax: 045 475 8908

#### GERMANY

Jabsco GmbH  
Oststrasse 28  
22840 Norderstedt  
Tel: +49-40-53 43 73 -0  
Fax: +49-40-53 53 73 -11

#### ITALY

Jabsco Marine Italia S.r.l.  
Via Tomasseo, 6,  
20059 Vimercate, Milano  
Tel: +39 039 6852323  
Fax: +39 039 666307

Warranty: All products of the company are sold and all services of the company are offered subject to the company's warranty and terms and conditions of sale, copies of which will be furnished upon request. The information provided herein is for guidance only, it does not constitute a guarantee of performance or specification of any individual product or component.