



Model 30220-Series • 450 GPH / 1700 LPH
 Model 30222-Series • 750 GPH / 2840 LPH
 Model 30230-Series • 1050 GPH / 3975 LPH

SUBMERSIBLE BILGE PUMPS

FEATURES

- Strainer Base Protects Pump from Debris
- Low Amp Draw
- Complies with USCG Regulation 183.410 and ISO 8846 MARINE for Ignition Protection
- ISO 8849 MARINE
- Stainless Steel Shaft will not Rust or Corrode
- N.M.M.A. Type Accepted
- Three year limited warranty
- **CE**

Model No.	Flow Rate GPH/LPH	Voltage
30220-2012	450/1700	12
30220-2024	450/1700	24
30222-2012	750-2840	12
30222-2024	750/2840	24
30230-2012	1050/3975	12
30230-2024	1050/3975	24

INSTALLATION

For maximum water evacuation, the pump should be located in the lowest point of the bilge. Determine the best location and pump position for ease of plumbing and direct routing of discharge hose. Mark the location of the strainer base and position of base release tabs for easy access. Depress base release tabs to separate pump from base.

The strainer base may be attached to the Bilge with either small stainless steel sheet metal screws or a quality sealing compound with good adhesive characteristics such as Rule* Elastomeric Marine Sealant.

Use screws only if you are positive bottom thickness is greater than the depth of penetration of the screw. When drilling holes it is advisable to wrap a piece of tape around the drill bit so the edge of the tape marks the maximum hole depth required. Position base and align release tabs with position previously marked and mark position of the mounting screw holes in the base. Very carefully drill holes where marked and secure base to bottom with stainless steel screws.

Do not crack base by over tightening screws. Position the pump housing onto the base and push firmly downward until the release tabs snap into place.



Submersible Bilge Pumps

A quality sealing compound may be used as an adhesive to secure the strainer base in the bilge.

NOTICE: Do not use a polysulfide based sealant because it may cause fractures in the plastic. Ensure the area marked for mounting pump is thoroughly clean and free of oil residue. Apply a liberal amount of sealant on bottom of strainer base around mounting holes. Press the base onto the bottom in the position marked, ensuring the base release tabs align with their respective marked position.

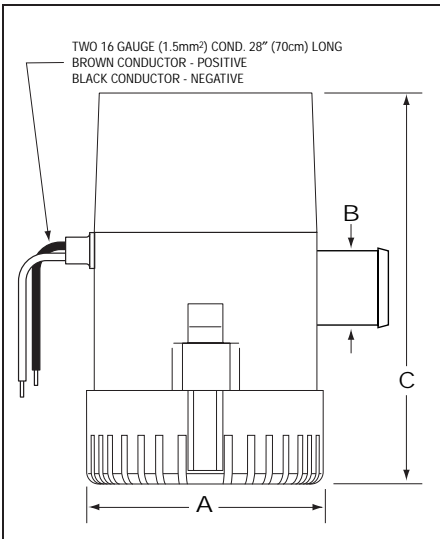
Allow the sealant to cure in accordance with the manufacturer's instructions (generally 24 hours) then snap the pump housing onto the base, ensuring it is properly seated and latched in position.

PLUMBING

Submersible Bilge Pumps must be plumbed to a thru-hull fitting that remains above the waterline at all angles of heel or trim (sailboats generally discharge through or below the transom). If installing a new discharge hose, the pump will operate at its greatest capacity if bends are kept to a minimum and the overall length is as short as possible. To prevent water traps in the discharge hose, it should rise continuously from the pump to the thru-hull fitting with no dips where water can collect. Attach the discharge hose to the pump port (and thru-hull fitting) securely with stainless steel band clamps.

*Rule is a registered trademark of ITT Industries.

DIMENSIONS



Model Number	Dimensions Inches (mm)		
	A	B	C
30220-Series	2-3/8" (60)	3/4" (19)	3-1/2" (89)
30222-Series	2-3/8" (60)	3/4" (19)	4" (102)
30230-Series	2-3/8" (60)	1-1/8" (29)	4-1/4" (108)

ELECTRICAL WIRING

The Jabsco Submersible Pump may be wired for manual operation or for maximum security and versatility for both manual and automatic operation with the addition of a float switch. To ensure maximum performance, use a quality marine grade 16 gauge (1.5mm²) wire. The circuit must be protected with a proper size fuse or

PERFORMANCE CHART

Discharge Head	Flow Rate - GPH (LPH)		
	30220-Series	30222-Series	30230-Series
0 ft (0M)	450 (1,700)	750 (2,840)	1,050 (3,975)
3.4 ft (1M)	325 (1,225)	575 (2,175)	820 (3,110)
6.7 ft (2M)	235 (890)	400 (1,450)	575 (2,175)



Fire hazard. Electrical circuits not protected with a proper size fuse or circuit breaker can cause a fire resulting in injury or death. Install a proper size fuse or circuit breaker in the positive lead as close to the power source as possible.

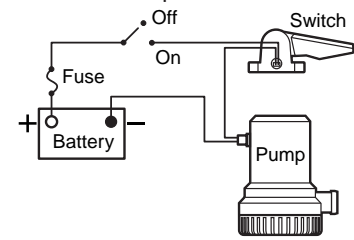
circuit breaker. To comply with A.B.Y.C. Standards, the positive lead should be brown and negative lead black. They should be supported with non-metallic clamps every 18" (45cm). When making wire connections use only mechanical locking connectors (crimp type or equivalent) and make all connections above the maximum bilge water level. Connections exposed to humid bilge environments may be sealed with silicone to prevent internal corrosion within the connector.

OPERATION

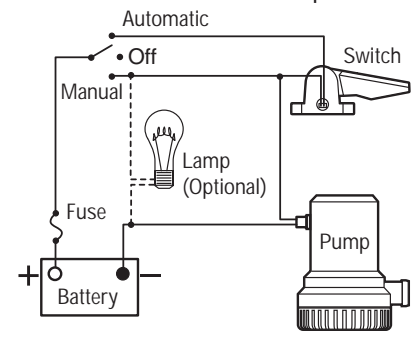
When installed in the lowest part of the bilge the Jabsco Submersible Pump will evacuate water down to a depth of about 1/2" (13mm). If wired for automatic operation, however, this depth may vary due to the shut-off limit of the control switch.

The pump can run dry periodically without damage. However, for maximum seal life, the run dry periods should be kept to a minimum.

Automatic Operation



Manual/Automatic Operation



Model Number	Volts	Amp Draw	Fuse Size
30220-2012	12	2	2-1/2
30220-2024	24	1	1-1/2
30222-2012	12	3	4
30222-2024	24	2	2-1/2
30230-2012	12	4	6
30230-2024	24	2	2-1/2

MAINTENANCE

Jabsco Submersible Pumps require no periodic maintenance other than occasionally checking and possibly cleaning the pump strainer base. To do this, simply depress the base release tabs and lift the pump housing straight up. Inspect the strainer base and pump inlet port and remove any debris which is present. Realign pump assembly with base and push down on to the base until release tabs snap in place. When inspecting pump for debris it is advisable to check the hose connections to ensure they are tight.

Jabsco



THE PRODUCTS DESCRIBED HEREIN ARE SUBJECT TO THE JABSCO THREE YEAR LIMITED WARRANTY, WHICH IS AVAILABLE FOR YOUR INSPECTION UPON REQUEST.

U.S.A.
Jabsco
Cape Ann Industrial Park
Gloucester, MA 01930
Tel: 978.281.0440
Fax: 978.283.2619

UNITED KINGDOM
Jabsco
Bingley Road, Hoddesdon
Hertfordshire EN11 0BU
Tel: +44 (0) 1992 450145
Fax: +44 (0) 1992 467132

CANADA
Fluid Products Canada
55 Royal Road
Guelph, Ontario N1H 1T1
Tel: (519) 821.1900
Fax: (519) 821.2569

JAPAN
NHK Jabsco Company Ltd.
3-21-10, Shin-Yokohama
Kohoku-Ku, Yokohama, 222
Tel: 045.475.8906
Fax: 045.475.8908

GERMANY
Jabsco GmbH
Oststrasse 28
22840 Norderstedt
Tel: +49-40-53 43 73 -0
Fax: +49-40-53 53 73 -11