

Service Instructions

DISASSEMBLY

1. Unscrew endcover with wrench. Use care not to break ribs.
2. Withdraw impeller and shaft assembly.
3. Remove impeller screw and shaft assembly.
4. Hook out seal taking care not to scratch groove in the body.

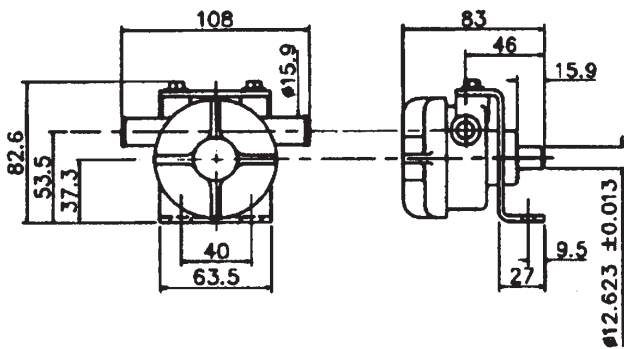
NOTE: Pump has replaceable PTFE bearings that are provided with a groove to match the drive lug in the body, toward the impeller bore. Use care to align drive lug and groove in bearing when installing the bearing.

ASSEMBLY:

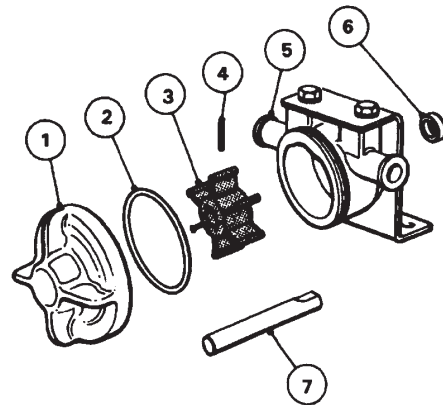
1. Press seal into cavity.
2. Slide impeller onto shaft, aligning holes in impeller and shaft.
3. Press in impeller screw.
4. Lightly oil drive end of shaft and install lubricated body with a twisting motion in the same rotation as the motor. Make sure the shaft is free of burrs.
5. Install "O" ring in cover.
6. Screw cover onto body, hand tight only.

Inspect all parts for wear or damage and replace if necessary.

Installation Drawing



Exploded View Diagram



MEDIUM PRESSURE IMPELLER

PARTS LIST			Neoprene Elastomer	Nitrile Elastomer	Viton Components
KEY	DESCRIPTION	QTY	3010-8411	3010-8413	
1	Endcover	1	8187	8187	
2	"O" Ring *	1	SP2000-59	SP2000-59	SP2000-79
3	Impeller *	1	3398-0011B	3398-0013B	3398-0014B
4	Impeller Screw *	1	SP1029-07	SP1029-07	
5	Body with Bearings Less Bracket & Screws	1	8188	8188	
6	Seal *	1	SP3000-08	SP3000-08	
7	Shaft	1	1983-01	1983-01	
8	Bearings (Not Shown)	2	3625-115	3625-115	
Service Kit (Comprises of *)			SK26-101	SK26-101-37	

xylem
Let's Solve Water

USA

Jabsco
20 Icon
Foothill Ranch
CA 92610

Tel : +1 949 609 5106
Fax : +1 949 859 1254

UK

Jabsco
Bingley Road
Hoddesdon
Hertfordshire, EN11 0BU

Tel : +44 (0) 1992 450 145
Fax : +44 (0) 1992 467 132

GERMANY

Jabsco GmbH
Oststraße 28
22844 Norderstedt

Tel : +49 (0) 40 53 53 73 0
Fax : +49 (0) 40 53 53 73 11