

### 28430 Series Stainless Steel Pedestal Pump

#### Features

- Self primes from dry up to 5.0 metres
- Flows up to 200 litres per minute
- Pressure up to 4.0 bar
- Handles hard or soft solids - max. 9mm dia
- Tolerates abrasive wear - replacable wearplate
- Non pulsating flow, proportional to speed
- Handles viscosities up to 10,000 centiPoise
- Minimal shear to thixotropic fluids
- Easy to service and maintain



#### Typical Applications

- Acids and alkalis, compounds, copper sulphate, methyls, alcohols.
- Industrial chemicals, resins, oils, fatty acids, brine.
- Detergents, soaps, hydrogen peroxide.
- Paints, dyes, inks, varnishes, laquers, solvents.
- Transfer, filling, recirculation and agitation, spillage return, spraying, coating, filtration.
- Viscous, shear-sensitive fluids, small hard and soft solids in suspension.

#### Specifications

**Seal** : Carbon / Ceramic mechanical face seal  
**Optional:**

- Tungsten Carbide / Ceramic hard faced mechanical seal
- Nitrile Lip seal on shaft sleeve
- Carbon / Ceramic flushed seal
- Tungsten Carbide / Ceramic hard faced flushed seal

**Seal Elastomer** : Nitrile or Viton

**Pump Head** : Stainless steel 316, as-cast interior and exterior finish

**End Cover** : Stainless steel 316 grade

**Shaft** : Stainless steel 316 grade

**Bearings** : Greased ball bearings

**Bearing Housing** : Epoxy coated cast iron

**Ports** : 1½" BSP internal thread to BS21 (DIN2999)

**Weight** : 8.7kg

#### Model Range


Pressure options	Medium - Max 2.5 bar				High - Max 4.0 bar			
Elastomer option	Neoprene	E.P.D.M.	Nitrile	Viton®	Neoprene	E.P.D.M.	Nitrile	Viton®
<b>Temperature range</b>	4°C to 65°C	0°C to 120°C	-5°C to 90°C	10°C to 90°C	4°C to 65°C	0°C to 120°C	-5°C to 90°C	10°C to 90°C
<b>Mechanical Seal Options</b>								
Carbon/Ceramic	28430-2115	28430-2112	28430-2113	28430-2114	28430-2125	28430-2122	28430-2123	28430-2124
Tungsten Carbide/Ceramic hard faced	28430-2215							
<b>Lip seal</b>	28430-2415							
<b>Flushed Mechanical Seal</b>								
Tungsten Carbide/Ceramic hard faced	28430-2715							
Carbon/Ceramic	28430-2915							

For models not listed above, consult distributor or factory


Note : it is not recommended to start the pump at extremes of the temperature range, impeller damage may occur

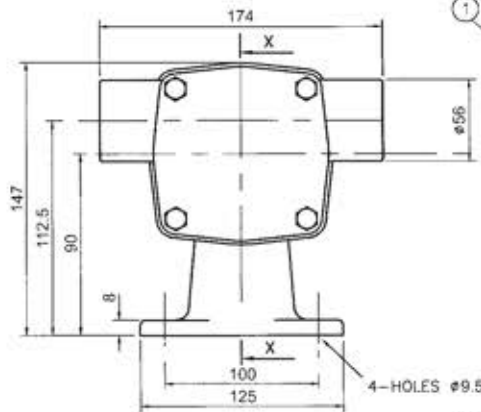
For Installation, Operating, Maintenance and Safety Instructions refer to form 43001-0543

**⚠ WARNING** Explosion hazard. Do not pump gasoline, solvents, thinners or other flammable liquids. To do so can cause an explosion resulting in injury or death.

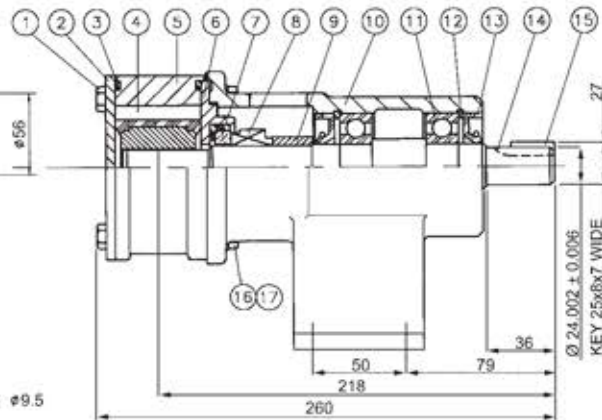


**⚠ WARNING** Injury hazard. Exposed pulleys and belts can cause injury. Install shield around pulleys and belts. Stay clear while machinery is operating.



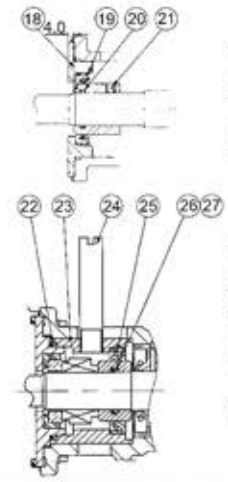


Dimensions in mm



For performance data refer to the 200 size flexible impeller pump performance curves

### 28430 Series



Lip Seal

Flushed Seal

### Parts List

Key	Description	Qty	Part Number
1	Screw	4	X3001-207F
2	Endcover	1	28405-0010
3	O'Ring *	2	See right
4	Impeller*	1	See right
5	Body	1	28434-2000
6	Wearplate	1	28436-0000
7 / 8	Seal Assembly *	1	See right
9	Seal Spacer	1	28417-0000
10	Bearing Housing	1	28403-0000
11	Bearing	2	SP2601-28
12	Retaining Ring	2	SP1701-283
13	Lip seal (Bearing Housing)	2	SP2701-0911
14	Shaft	1	28407-0000
15	Key	1	X4000-487A
16	Washer	4	X3080-101K
17	Screw	4	X3001-209F
18	Wearplate	1	28466-0000
19	Lip Seal	1	SP2701-0915
20	O-Ring	1	X4020-227A
21	Seal Spacer	1	28465-0001
22	O-Ring	1	X4020-261A
23	Seal Housing	1	28412-0000
24	Tube	2	21844
25	Seal	1	SP2701-0915
26	O-Ring	1	X4020-227A
27	Seal Spacer	1	28417-0001

Parts marked \* Contained in service kit

### Spare Parts & Service Kits

Pressure Rating		Medium	High
3	O-Ring	Nitrile X4020-399A	X4020-399A
		Viton X4020-399B	X4020-399B
4	Impeller	Neoprene 14346-0005B	8983-0005B
		E.P.D.M. 14346-0002B	8983-0002B
		Nitrile 14346-0013B	8983-0023B
		Viton 14346-0014B	8983-0024B
7 / 8	Std Mech. Seals	Nitrile 28431-0103B	28431-0103B
		Viton 28431-0104B	28431-0104B
	Hard Faced	Nitrile 28431-0203B	28431-0203B
		Viton 28431-0204B	28431-0204B
Service Kit	Neoprene SK378-0115	SK378-0125	
	Nitrile SK378-0113	SK378-0123	
	Viton SK378-0114		

Models with Neoprene and E.P.D.M. impellers use Nitrile elastomers on seals and O-rings.

Viton is a registered trademark of DuPont Dow Elastomers.

### Other Available Options

Standard head kits, for close coupling to standard IEC motors.

## Jabsco

### USA

**Jabsco**  
1485 Dale Way  
Costa Mesa  
CA 92628-2158

Tel : +1 714 545 8251  
Fax : +1 714 957 0609

### UK

**Jabsco**  
Bingley Road  
Hoddesdon  
Hertfordshire, EN11 0BU

Tel : +44 (0) 1992 450 145  
Fax : +44 (0) 1992 467 132

### GERMANY

**Jabsco GmbH**  
Oststraße 28  
22844 Norderstedt

Tel : +49 (0) 40 53 53 73 0  
Fax : +49 (0) 40 53 53 73 11