

28340 Series Stainless Steel Head Kit Pump

Features

- Self primes from dry up to 5.0 metres
- Flows up to 80 litres per minute
- Pressure up to 2.5 bar†
- Handles hard or soft solids - max. 5mm dia
- Tolerates abrasive wear - replacable wearplate
- Non pulsating flow, proportional to speed
- Handles viscosities up to 4,000 centiPoise
- Minimal shear to thixotropic fluids
- Fits IEC standard motor B3/B14, frame 80



Typical Applications

- Acids and alkalis, compounds, copper sulphate, methyls, alcohols.
- Industrial chemicals, resins, oils, fatty acids, brine.
- Detergents, soaps, hydrogen peroxide.
- Paints, dyes, inks, varnishes, laquers, solvents.
- Transfer, filling, recirculation and agitation, spillage return, spraying, coating, filtration.
- Viscous, shear-sensitive fluids, small hard and soft solids in suspension.

Specifications

Seal : Carbon / Ceramic mechanical face seal

Optional:

- Tungsten Carbide / Ceramic hard faced mechanical seal
- Nitrile Lip seal on shaft sleeve
- Carbon / Ceramic flushed seal
- Tungsten Carbide / Ceramic hard faced flushed seal

Seal Elastomers : Nitrile or Viton

Pump Head : Stainless steel 316, as-cast interior and exterior finish

End Cover : Stainless steel 316 grade

Shafts : Stainless steel 316 grade, shaft extension

Bearings : Uses motor bearings

Motor Adaptor : Epoxy coated cast iron

Ports : 1" BSP internal thread to BS21 (DIN2999)

Weight : 3.3kg

Model Range


| Pressure options | Standard - Max 2.5 bar† | | | | | | | |
|-------------------------------------|-------------------------|--------------|--------------|--------------|--|--|--|--|
| Elastomer option | Neoprene | E.P.D.M. | Nitrile | Viton® | | | | |
| Temperature range | 4°C to 80°C | 0°C to 120°C | -5°C to 90°C | 10°C to 90°C | | | | |
| Mechanical Seal Options | | | | | | | | |
| Carbon/Ceramic | 28340-2101 | 28340-2102 | 28340-2103 | 28340-2104 | | | | |
| Tungsten Carbide/Ceramic hard faced | | | | 28340-2204 | | | | |
| Lip seal | 28340-2401 | | | | | | | |
| Flushed Mechanical Seal | | | | | | | | |
| Tungsten Carbide/Ceramic hard faced | | | | | | | | |
| Carbon/Ceramic | 28340-2901 | | | | | | | |

For models not listed above, consult distributor or factory

Note : it is not recommended to start the pump at extremes of the temperature range, impeller damage may occur

For Installation, Operating, Maintenance and Safety Instructions refer to form 43001-0543

⚠ WARNING Explosion hazard. Do not pump gasoline, solvents, thinners or other flammable liquids. To do so can cause an explosion resulting in injury or death.



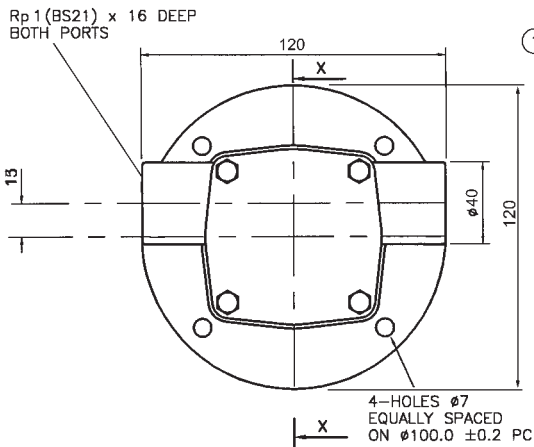
† Pressures over 1.7 bar may reduce motor shaft life

JABSCO

080 Size Stainless Steel FIP Head Kit Pump

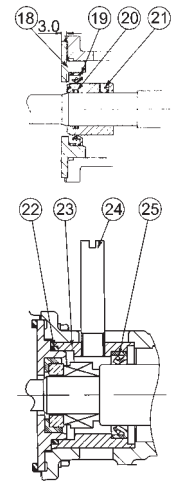
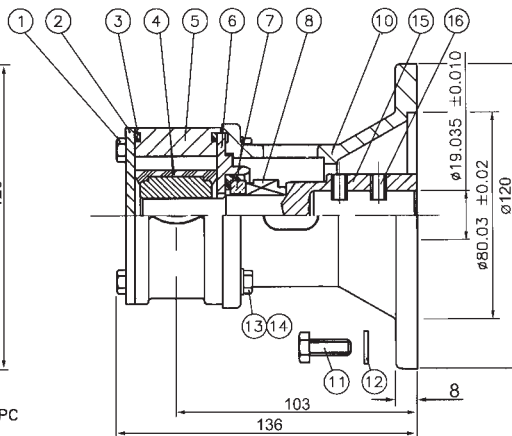
11/00

Fits IEC motor with foot & face to IEC B3/B14 frame size 80

28340 Series

Dimensions in mm

For performance data refer to the 080 size flexible impeller pump performance curves



Lip Seal

Flushed Seal

Parts List

| Key | Description | Qty | Part Number |
|-------|-----------------|-----|-------------|
| 1 | Screw | 4 | X3001-176F |
| 2 | Endcover | 1 | 28305-0010 |
| 3 | O'Ring * | 2 | See right |
| 4 | Impeller* | 1 | See right |
| 5 | Body | 1 | 28334-2000 |
| 6 | Wearplate | 1 | 28336-0000 |
| 7 / 8 | Seal Assembly * | 1 | See right |
| 10 | Motor Adaptor | 1 | 28323-0000 |
| 11 | Screw | 4 | X3001-180F |
| 12 | Washer | 4 | X3080-091K |
| 13 | Screw | 4 | X3001-180F |
| 14 | Washer | 4 | X3080-091K |
| 15 | Shaft Extension | 1 | 28327-0001 |
| 16 | Set Screw | 2 | X3009-176A |
| 18 | Wearplate | 1 | 28366-0000 |
| 19 | Lip Seal | 1 | SP2701-0914 |
| 20 | O-Ring | 1 | X4020-217A |
| 21 | Seal Spacer | 1 | 28365-0001 |
| 22 | O-Ring | 1 | X4020-244A |
| 23 | Seal Housing | 1 | 28312-0000 |
| 24 | Tube | 2 | 21844 |
| 25 | Seal | 1 | SP2701-0914 |

Parts marked * Contained in service kit

Spare Parts & Service Kits

| | | | |
|-------------|-----------------|----------|-------------|
| 3 | O-Ring | Nitrile | X4020-269A |
| | | Viton | X4020-269B |
| 4 | Impeller | Neoprene | 14282-0001B |
| | | E.P.D.M. | 8981-0002B |
| | | Nitrile | 14282-0003B |
| | | Viton | 14282-0004B |
| 7 / 8 | Std Mech. Seals | E.P.D.M. | 28331-0102B |
| | | Nitrile | 28331-0103B |
| | | Viton | 28331-0104B |
| | | Nitrile | 28331-0203B |
| | Hard Faced | Viton | 28331-0204B |
| | | Neoprene | SK377-0101 |
| Service Kit | | Nitrile | SK377-0103 |
| | | Viton | SK377-0104 |

Models with Neoprene impellers use Nitrile elastomers on seals and O-rings.

Viton is a registered trademark of DuPont Dow Elastomers.

Other Available Options

Pedestal pumps, for coupling to motor, gearbox or pulley.

Jabsco**ITT Industries****USA**

Jabsco
1485 Dale Way
Costa Mesa
CA 92628-2158

Tel : +1 714 545 8251
Fax : +1 714 957 0609

UK

Jabsco
Bingley Road
Hoddesdon
Hertfordshire, EN11 0BU

Tel : +44 (0) 1992 450 145
Fax : +44 (0) 1992 467 132

GERMANY

Jabsco GmbH
Oststraße 28
22844 Norderstedt

Tel : +49 (0) 40 53 53 73 0
Fax : +49 (0) 40 53 53 73 11

Warranty: All products of the company are sold and all services of the company are offered subject to the company's warranty and terms and conditions of sale, copies of which will be furnished upon request.
The information provided herein is for guidance only, it does not constitute a guarantee of the performance or specification of any individual product or component.

©Copyright 2000 ITT Industries

43010-0054