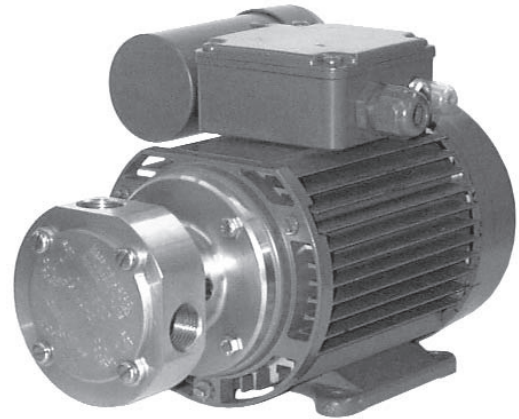


## 28140 Series

### Stainless Steel Flexible Impeller Pump

#### Features

- Self prime from dry up to 1.5 metres
- Flows up to 20 litres per minute
- Pressure up to 1.5 bar
- Will handle hard or soft solids
- Will tolerate abrasive wear
- Non pulsating flow
- Will handle viscosities up to 500 centiPoise
- Uses standard IEC motor



#### Typical Applications

- **Industrial** : Industrial filling systems, utility shop pump, transfer systems, recharge water softeners, sump emptying, cooling tower circulation, line cleaning, heat exchangers, air scrubbers, laboratory circulation, oil changing.
- **Food, Beverage & Dairy** : Vending Machines, refrigeration condensate pump out, wash down equipment & floor cleaning.
- **Further applications** in the industrial, marine, farming & plumbing sectors, see our Bronze range of Flexible Impeller pumps

#### Specifications

**Seal** : Mechanical face, Carbon on Ceramic, Butyl elastomers  
 Mechanical face, Carbon on Ceramic, Viton® elastomers.

**Pump Head** : Stainless steel 316

**End Cover** : Stainless steel 316

**Bearings** : Uses motor bearings

**Shafts** : Stainless steel 316 shaft extension

**Ports** : ½" BSP (internal) to BS21 (DIN2999)

**Weight** : 7kg

#### Model Options

Impeller option				Neoprene	EPDM	Nitrile	Viton®
Temperature range				4°C to 80°C	4°C to 100°C	10°C to 90°C	15°C to 90°C
Poles	Volts	Amps	RPM				
4	230	2.13	1450	28140-2111	28140-2112		
Pump head only				28141-2111			


Motors are single phase, 180 Watt, 50 Hertz, AC. Face & Foot mounting B3-B14.

Enclosure IP55, frame size 63 all IEC 72 standard. Fitted with manual reset thermal overload.


Note : it is not recommended to start the pump at extreme ends of the temperature range, impeller damage may occur

For Installation, Operating, Maintenance and Safety Instructions refer to form 43001-0543

**⚠ WARNING** Explosion hazard. Do not pump gasoline, solvents, thinners or other flammable liquids. To do so can cause an explosion resulting in injury or death.



**⚠ WARNING** Fire hazard. Wiring must comply with applicable electrical standards and include a properly sized fuse or circuit breaker. Improper wiring can cause a fire resulting in injury or death.

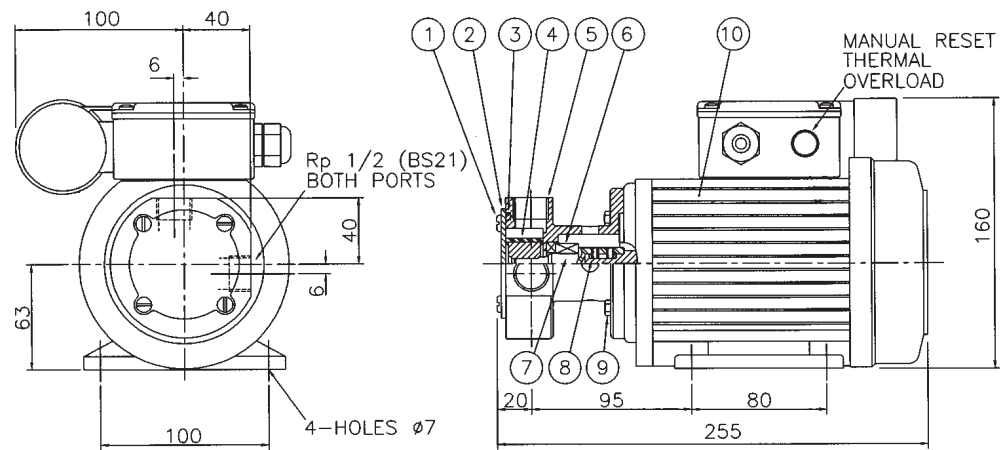




# 020 Size Flexible Impeller AC Motor Pump Unit

**08/05**

## 28140 Series



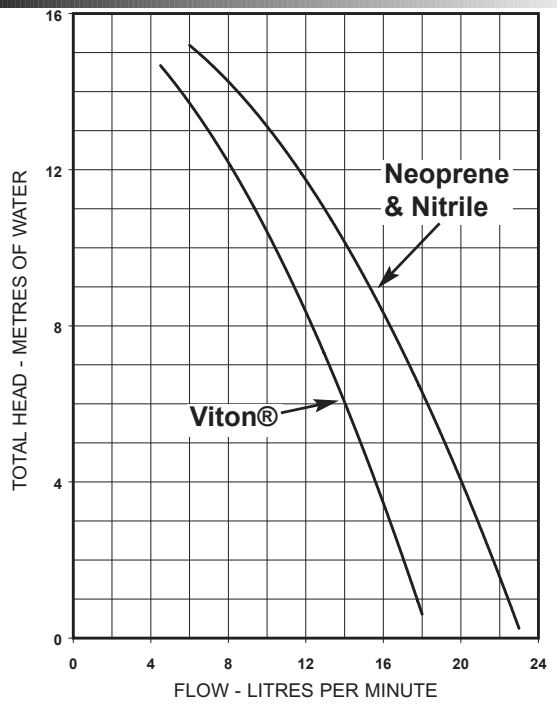
Dimensions in mm

### Parts List

Key	Description	Qty	Part Number
1	Screw *	3	X3002-147F
2	Endcover	1	10106
3	O'Ring *	1	See below
4	Impeller	1	See below
5	Body	1	28144-2000
6	Seal Assembly *	1	See below
7	Shaft Extension Kit	1	53017-0000
8	Set Screw	2	X3009-093F
9	Screw M4 x 16	4	X3001-153F
10	Motor	1	SP8012-0260

Parts marked \* Contained in service kit

### Performance



Note : Performance shown is for a new pump, pumping water at 20°C, performance may vary by up to 15%. Consult factory for performance of alternative impeller compounds.

### Commonly used spare parts & service kit numbers:

Elastomers	Neoprene	EPDM	Nitrile	Viton®
Impeller key 4	7273-0001	7273-0002	7273-0003	7273-0004
O'Ring key 3	SP2000-41	SP2000-77	SP2000-41	SP2000-77
Mechanical seal 6	SP8021-0301	SP8021-0301	SP8021-0301	SP8021-0301
Service kit contains parts as shown above	SK418-0011		SK418-0013	SK418-0014

All models use mechanical seal with Butyl elastomers.  
 Viton is a registered trademark of DuPont Dow Elastomers

 <b>Let's Solve Water</b>	<b>USA</b> <b>Jabco</b> 20 Icon Foothill Ranch CA 92610 Tel : +1 949 859 4945 Fax : +1 949 859 1153	<b>UK</b> <b>Jabco</b> Bingley Road Hoddesdon Hertfordshire, EN11 0BU Tel : +44 (0) 1992 450 145 Fax : +44 (0) 1992 467 132	<b>GERMANY</b> <b>Jabco GmbH</b> Oststraße 28 22844 Norderstedt Tel : +49 (0) 40 53 53 73 0 Fax : +49 (0) 40 53 53 73 11
------------------------------	---	---	---

Warranty: All products of the company are sold and all services of the company are offered subject to the company's warranty and terms and conditions of sale, copies of which will be furnished upon request. The information provided herein is for guidance only, it does not constitute a guarantee of the performance or specification of any individual product or component. © 2012 Xylem, Inc. All rights reserved. JABSCO is a registered trademark of Xylem Inc. or one of its subsidiaries.