

## UTILITY PUPPY

### MODELS:

**23920-2403/2503 12/24 V UTILITY PUPPY 2000**  
**23920-2213/2313 12/24 V UTILITY PUPPY 3000**

### FEATURES:

Continuous rated, heavy duty, dry running pumps for bilge, deckwash and general purpose use.

- ISO 8846 MARINE (Ignition protection).
- ISO 8849 MARINE (Bilge pump standard).
- Bilge debris present no problem to these bronze bodied, flexible impeller pumps.
- Simple design means fewer wearing parts.

#### Utility Puppy 3000

- 2580 lph (570 gph) output.
- Ten minutes dry running (after initial prime).
- Self priming to 2.4m (8 ft).
- Long life mechanical seal.

#### Utility Puppy 2000

- 1920 lph (390 gph) output.
- Twenty minutes dry running (after initial prime).
- Self priming to 1.2m (4 ft).

### INSTALLATION INSTRUCTIONS:

Jabco Utility Puppies can be mounted on any flat surface. Fit the pump in a dry, well ventilated position where there is full access for service. If installed in a vertical position the motor must be above the pump head. Use the rubber grommets provided to minimise vibration, do not overtighten the mounting screws.

$\frac{3}{4}$ " BSP male threaded fittings should be used to connect 25mm (1" i.d.) suction and discharge hoses. Secure the hose to the fittings with stainless steel hose clamps. Use spiral reinforced hose (with a smooth internal bore) that will not collapse under suction, or rigid or semi rigid pipework systems. The pipework must be compatible with the liquid being pumped. Pipe runs should be kept as straight and short as possible, avoiding rising and dipping over obstructions. Fit an inlet strainer on the inlet hose to prevent blockage.



**WARNING:** All marine pumps discharging overboard must be installed with the overboard discharge well above both static and heeled waterlines.

UTILITY PUPPY PERFORMANCE					
Approximate performance for new pump, pumping water at 20 °C, with fully charged battery.					
Total Head		Utility Puppy 2000		Utility Puppy 3000	
m	ft	l/m	UK gpm	l/m	UK gpm
0	0	38	8.4	50	11.0
1	3	37	8.0	48	10.5
2	7	35	7.7	45	10.0
4	10	30	6.6	42	9.0
6	19	25	5.5	38	8.4
8	26			34	7.5
10	32			30	
12	39			25	

### WIRING INSTRUCTIONS

Make all electrical connections in dry locations, connections in humid environments should be sealed to prevent corrosion. Protect the circuit with a correctly sized fuse or circuit breaker in the positive (+) lead as close as possible to the power source. Select the correct cable size from the chart below. Inadequate voltage at the motor terminals when the pump is running (not less than 10% below rated voltage at full load) due to partially discharged batteries or insufficient cable size may result in blowing fuses, failure to start or poor pump performance.

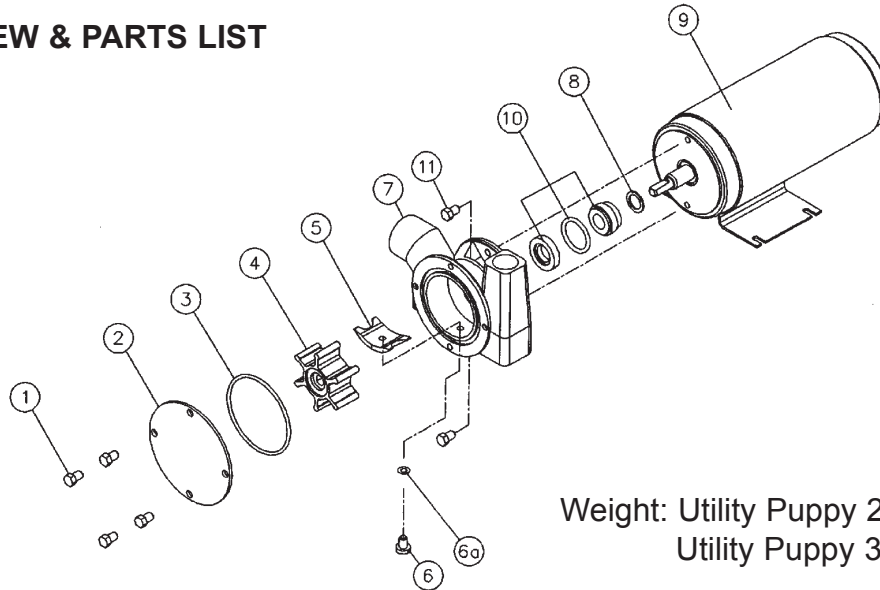
Connect the black motor wire to the negative (-) battery terminal. The red wire should run via a suitably rated switch or circuit breaker to the positive (+) battery terminal.



**WARNING:** If the fuse fails repeatedly do not fit a heavier fuse or bridge the fuse terminals with silver paper or metal wire. Failure to observe this instruction may result in a fire hazard due to overheating of cables.

ELECTRICAL WIRING INFORMATION					
Model No.	Voltage	Amp Draw	Max. Fuse Size	Min. Wire Size	Max. length of wire between (+) & (-) battery terminals
23920-2213	12V	21 amp	25 amp	4mm <sup>2</sup> (50/0.3mm) 6mm <sup>2</sup> (84/0.3mm)	Up to 7m Over 7m
23920-2313	24V	11 amp	15 amp	2.5mm <sup>2</sup> (30/0.25mm) 4mm <sup>2</sup> (50/0.3mm)	Up to 7m Over 7m
23920-2403	12V	13 amp	15 amp	1.5mm <sup>2</sup> (32/0.25mm)	4.5m
23920-2503	24V	7.5 amp	10 amp	1.5mm <sup>2</sup> (32/0.25mm)	4.5m

## EXPLODED VIEW & PARTS LIST



Weight: Utility Puppy 2000 3.3kg (7lb)  
Utility Puppy 3000 4.6kg (10lb)

UTILITY PUPPY PARTS LIST					
Key	Description	Utility Puppy 3000		Utility Puppy 2000	
		Qty	Part No.	Qty	Part No.
1	End Cover Screws	4	X3001-147F	4	X3001-147F
2	End Cover	1	23825-0000	1	23825-0000
3	End Cover Seal	1	X4020-257A	1	X4020-257A
4	Impeller - Nitrile	1	7273-0003	1	6303-0003
5	Cam	1	53023-0000	1	53023-0100
6	Cam Screw	1	X3002-147F	1	X3002-147F
6a	Cam Screw Seal	1	X4020-105A	1	X4020-105A
7	Pump Body	1	53024-2000	1	53024-2000
8	Slinger	1	X4020-221B	1	6342
9	Motor 12v		SP8012-0261		SP8012-0165
	Motor 24v		SP8012-0262		SP8012-0166
10	Seal	1	SP8021-0301B	1	SP2701-52
11	Pump/Motor Screws	2	X3001-147F	2	X3001-147F

**xylem**  
Let's Solve Water

**Jabsco**, 20 Icon, Foothill Ranch, CA 92610

Tel : +1 949 609 5106 Fax : +1 949 859 1254

**USA**

**Jabsco**, Bingley Road, Hoddesdon, Hertfordshire, EN11 0BU

Tel : +44 (0) 1992 450 145 Fax : +44 (0) 1992 467 132

**UK**

**Fluid Products Canada**, 55 Royal Road, Guelph, Ontario N1H 1T1

Tel : +1 519 821 1900 Fax : +1 519 821 5316

**CANADA**

**NHK Jabsco Co Ltd**, 3-21-10, Shin - Yokohama, Kohoku-ku, Yokohama 222

Tel : +81 (0) 45 475 8906 Fax : +81 (0) 45 475 8908

**JAPAN**

**Jabsco GmbH**, Oststraße 28, 22844 Norderstedt

Tel : +49 (0) 40 53 53 73 0 Fax : +49 (0) 40 53 53 73 11

**GERMANY**

Warranty: All products of the company are sold and all services of the company are offered subject to the company's warranty and terms and conditions of sale, copies of which will be furnished upon request.

© 2012 Xylem, Inc. All rights reserved. JABSCO is a registered trademark of Xylem Inc. or one of its subsidiaries.

43001-0511 Rev: B