

22860 Series Bronze Flexible Impeller Pump

Features

- Flows up to 35 litres/minute @ 1500 RPM
- Self primes from dry up to 3.0 metres
- Handles hard or soft solids
- Non pulsating flow
- Gentle pump action does not damage shear-sensitive products
- Easy to service and maintain



Typical Applications

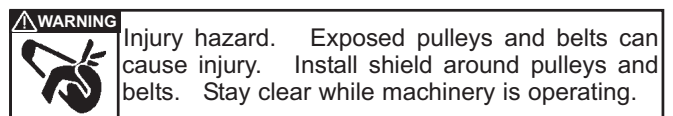
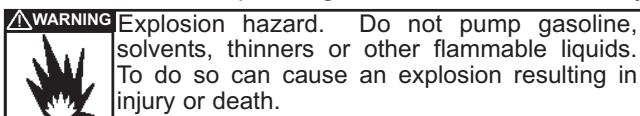
Industrial : From water to the most difficult, e.g. transferring foaming solutions with entrained air or solids, such as soap, circulating abrasive and non abrasive slurries. Transferring inks, dyes, starches etc.

Chemical : Circulating and transferring various chemicals such as ammonia, barium, copper sulphate, glycerine, nickel chloride, silver nitrate; various acids such as boric, carbonic, citric and photo processing solutions.

Model Options

Impeller option	Pressure	Neoprene	Nitrile
Temperature range		4°C to 80°C	10°C to 90°C
Pump head only	Standard	22860-2001	22860-2003
	High	22860-2121	22860-2123
Note : it is not recommended to start the pump at extreme ends of the temperature range, impeller damage may occur			
All models use Nitrile seal elastomers			
Other options available, Pedestal & Motor pump units, in Bronze, Plastic & Stainless steel			

For Installation, Operating, Maintenance and Safety Instructions refer to form 43001-0543



Specifications

Seal : Carbon/Ceramic mechanical seal

Pump Head : Bronze

End Cover : Brass

Bearings : Uses motor bearings

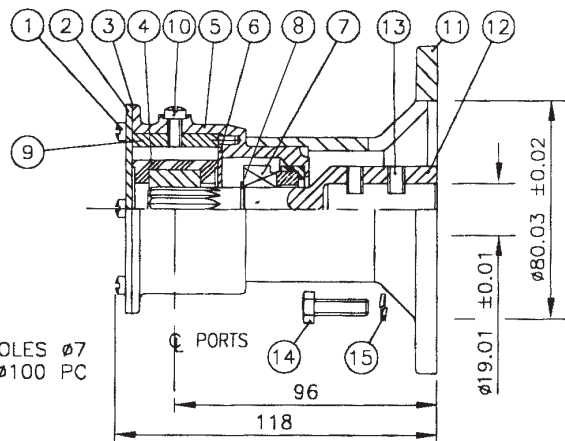
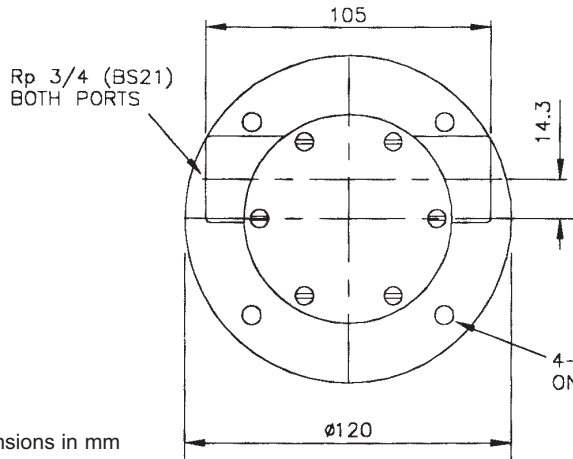
Shaft : Stainless steel shaft extension

Motor adaptor : Epoxy-coated aluminium, suitable for B3/B14 D80 frame motor to IEC 71 standard

Ports : 3/4" BSP internal thread

Weight : 1.9kg.

22860 Series



Parts List

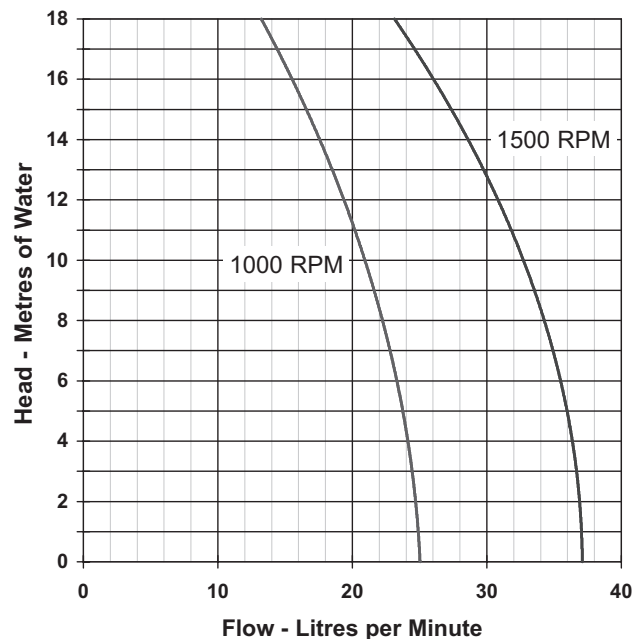
Key	Description	Qty	Part No.
1	Screw*	6	SP1002-02
2	Endcover	1	3992
3	Gasket*	1	3298
4	Impeller*	Neoprene	1 1210-0001
		Nitrile	1 1210-0003
		HP Neoprene	1 3085-0001
		HP Nitrile	1 3085-0003
5	Body	1	10554-200
6	Wearplate	1	7883
7	Seal assembly*	1	22626-6000
8	Retaining ring	1	SP1700-62
9	Cam	1	490
10	Screw	Cam 1	SP1003-01
11	Adaptor	1	22864
12	Extension	Shaft 1	22867
13	Screw	Set 2	X3009-176A
14	Screw	4	X3001-182C
15	Washer	4	X3081-091C

Parts marked * above are contained in a Service kit

Service kit	Neoprene	1	SK351
	Nitrile	1	SK239-37

Mechanical seals are fitted with Nitrile elastomers

Performance



Note : Performance shown is for a new pump, fitted with a standard pressure Neoprene impeller, pumping water at 20°C, performance may vary by up to 15%. Consult factory for performance of alternative impeller compounds.

xylem

Let's Solve Water

Jabsco, 1 Kondelin Road, Cape Ann Industrial Park, Gloucester, MA 01930
Tel: +1 978 281 0440 Fax: +1 978 283 2619

USA

Jabsco, Bingley Road, Hoddesdon, Hertfordshire, EN11 0BU
Tel: +44 (0) 1992 450 145 Fax: +44 (0) 1992 467 132

UK

NHK Jabsco Co Ltd, 3-21-10, Shin - Yokohama Kohoku-ku, Yokohama 222
Tel: +81 (0) 45 475 8906 Fax: +81 (0) 45 475 8908

JAPAN

Jabsco GmbH, Oststraße 28, 22844 Norderstedt
Tel: +49 (0) 40 53 53 73 0 Fax: +49 (0) 49 53 53 73 11

GERMANY

Jabsco Italia, s.r.l., Via Tommaseo, 6, 20059 Vimercate, Milano
Tel: +39 039 685 2323 Fax: +39 039 666 307

ITALY