

Features

- Pump:** Self-Priming Flexible Impeller with Stainless Steel Wearplate
- Impeller:** Jabsco Neoprene compound
- Macerator:** Stainless Steel Cutter reduces particle size to 1/8" (3mm) maximum. New 4 blade design.
- Seal:** Lip Type
- Ports:** Inlet - 1-1/2" (38mm) Hose Barb and 1-1/2" N.P.T. (Male)
- Outlet:** 1" (19mm) Hose Barb

Specifications

- Weight:** 20.7 lb (9.5 kg) Approx.
- Priming:** 5ft When Wet
4ft When Dry

HEAD CAPACITY AND FLOW RATES

Head	Flow
5ft(1.5m)	12.2 gpm (46 lpm)
10ft (3m)	11.6 gpm (44 lpm)
15ft (4.5m)	11.1 glp (42 lpm)
20ft (6m)	9.5 gpm (36 lpm)

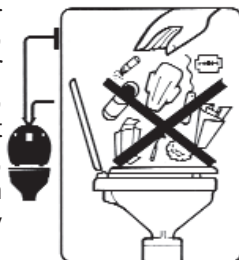
† Flow rates will vary slightly depending on pump loading (sanitation system design).

MODEL NO. DESCRIPTION

22130-2721 110/220V AC 50Hz
Note: ¼ hp (180 W) 1ph 2850 rpm

Grinding Capabilities - capable of grinding waste down to a particle size of 1/8" (3mm) max.

Capable of passing waste, toilet tissue, facial tissue, cigarettes, cigars, chunks of soft fruit or vegetables less than 1" size, fish scales, or bait residue. Not designed to pass fruit pips, rags, wet strength kitchen towels, tampons or sanitary napkins.



Applications

WASTE EVACUATION

The Jabsco 22130 series AC macerator pump unit is the ideal solution for emptying marine holding tanks when not in a discharge restricted area. Self priming to 5ft this pump will empty a typical 30 gallon (115 litre) holding tank in less than 3 minutes. It is recommended that holding tanks be flushed with several gallons of water after each pump out. This will reduce the possibility of a continued build up of sediment in the tank which could cause a potential blockage.

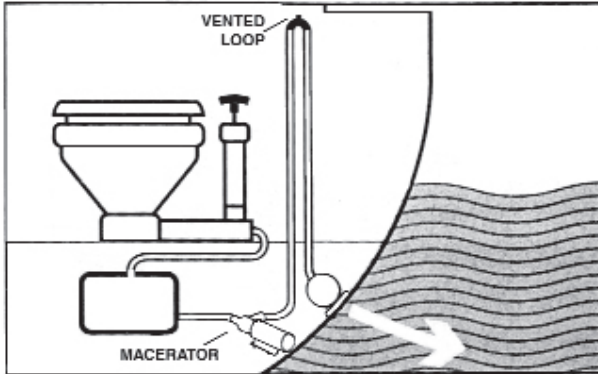
Installation

The pump can be mounted in any position; however, if mounting to a vertical surface, the pump head should be affixed below the motor to avoid any water dripping onto the motor.

The Macerator pump can be screwed directly into a 1-1/2" (38mm) NPT tank flange or female pipe fitting. If attaching the inlet port to a pipe fitting it may require removal of the hose barbed port, this can be done using a hacksaw. Wrap port threads with a couple of wraps of PTFE tape and screw the pump assembly into the pipe fitting. Tighten hand tight, do not over tighten.

Please Note: An air leak anywhere in the suction side of the plumbing system can cause extended dry running. All suction connections must be air tight and free of sharp bends or restrictions. If a deck fitting is installed for dockside pump-out and connected to the suction hose of the macerator by means of a tee fitting (without a Y-Valve), it too must be air tight to ensure proper priming. Use minimum 1" (19mm) ID hose for discharge and connect to thru-hull fitting located approximately 4-6 inches above waterline.

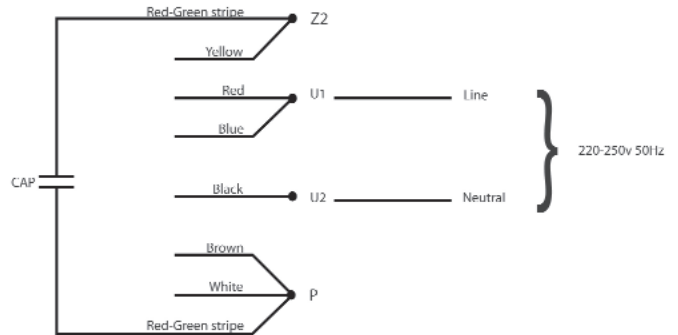
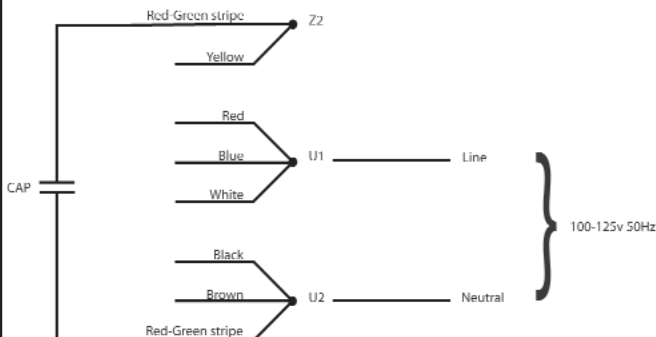
NOTICE: The discharge thru-hull may be positioned below the waterline only if the discharge hose has a vented loop fitting installed at least 8" above the waterline at all angles of heel or trim. Consult with a qualified marine plumber.



Although the Jabsco Macerator pump can be installed at any convenient point in the waste discharge system, it is recommended that it be installed as close to the holding tank as possible, this will increase the performance of the pump. It is also recommended that the switch used to control the macerator be mounted close enough to the pump that it can be heard whilst in operation, this will allow the operator to hear a change in pump noise when the unit has finished pumping the tank dry. The pump then should be turned off; this will further increase the life of the pump.

Electrical

Wire the unit in an Independent Circuit. Consult the wiring diagram for connections.



Disassembly

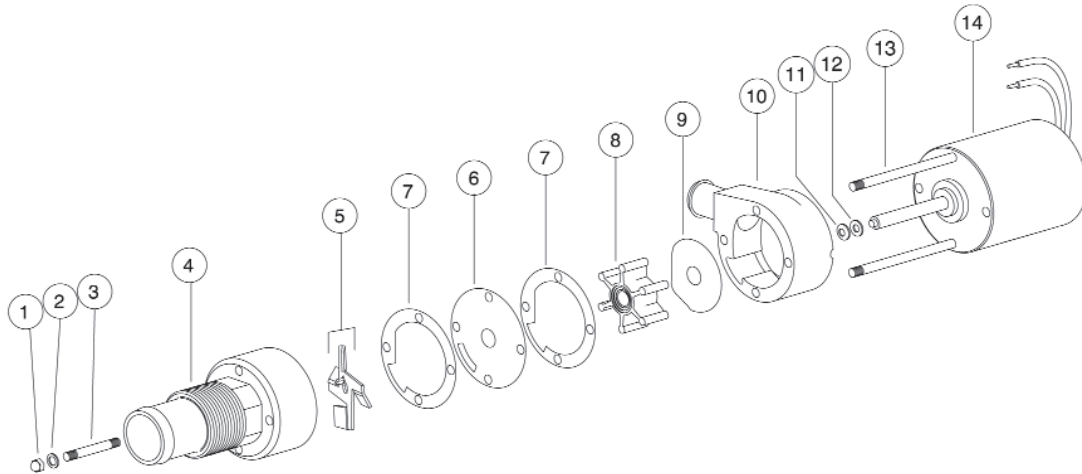
Notice: Before performing any service, disconnect the electrical power to the macerator and take precaution to ensure that it is not restored until service is complete.

Remove the four acorn nuts (Key 1) and fiber washers (Key 2) from the pump studs (Key 3). Slide the macerator housing (Key 4) off the studs. Insert a thin bladed 9/32" (7mm) ignition wrench behind the chopper plate (Key 5) and onto the flat of the motor shaft to prevent it from turning. Unscrew (counter-clockwise) the locknut on the end of the motor shaft and remove the stainless steel chopper blade.

Remove the pump wearplate (Key 6) and two paper gaskets (Key 7). Now slide the pump body (Key 10) with impeller (Key 8), small wearplate (Key 9), two studs and shaft seal as an assembly off the motor shaft and remaining two mounting studs. Remove the starlock retaining washer on the seal and push the seal out of the seal bore.

Assembly

If installing a new seal, push it into the seal bore of the body with the lip pointing toward the impeller bore. Press the starlock washer into the seal bore with the concave side up to secure the seal in the bore. Install the two shorter studs in the two holes with threaded inserts in the new pump body and tighten finger tight. If required, screw two longer studs into the tapped holes in the motor end bell. Slide the new pump body with the shaft seal installed onto the motor shaft and two long mounting studs in the motor. Slide the small



wearplate over the motorshaft and position it in the bottom of the impeller bore. Slide the new impeller onto the motor shaft and, with a counter-clockwise motion, push it into the pump impeller bore. Position one new gasket on the studs and against the pump body assuring the cut-out aligns with the inlet groove in the body. Reposition the large wearplate and second gasket on the studs and against the body; again, aligning the hole in the wearplate and gasket cut-out with the pump inlet. Position the chopper on the end of the motor shaft with drive tab aligned with flat of shaft and pointing toward the motor. Hold the shaft to prevent it from turning and secure the chopper to the shaft with the locknut. Position the macerator housing on the four studs ensuring the cut-out in the inner wall aligns with pump body inlet port and hole in the wearplate. Position a new fiber washer on each of the studs and secure the macerator housing in place with the four acorn nuts.

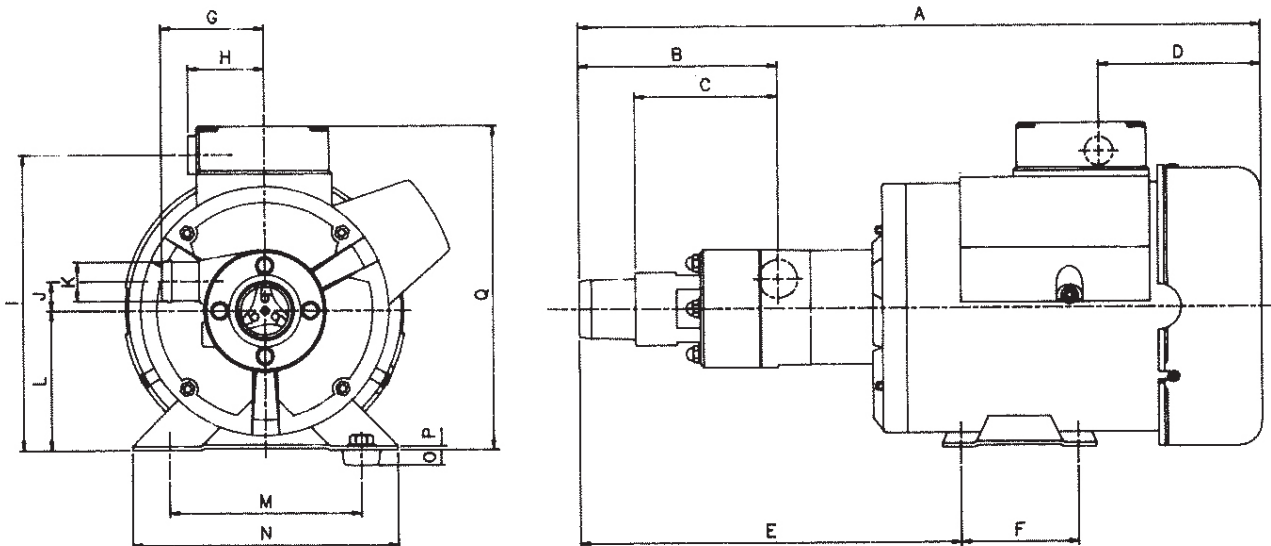
Key	Description	Qty.	Part Number
1	Acorn Nut	4	91085-0340
2	Fiber Washer	4	91613-0140
3	Stud	2	17288-0010
4	Macerator Housing	1	18594-1000
5	Chopper Plate with Locknut	1	37056-2000
6	Wearplate, Large	1	18597-1000
7	Gaskets (2 each per kit)	1	18596-0000
8	Impeller	1	7273-0003
9	Wearplate, Small	1	12316-1002
10	Body	1	18593-1000
11	Seal	1	1040-0000
12	Slinger	1	6342-0000
13	Stud	2	17288-0000
14	Motor	1	22138



Self-Priming Macerator Pump

22130-Series

Installation Dimensions



Model No. 22130-2721

A	B	C	D	E	F	G	H	I	J	K	L	M	N	O	P	Q
308.5	129.6	93	105	247	76	66	48.5	190	19	Ø25.4	89	124	172	10	2.5	206

Dimensions in millimeters

xylem
Let's Solve Water

Jabsco, 1 Kondelin Road, Cape Ann Industrial Park, Gloucester, MA 01930
Tel: +1 978 281 0440 Fax + 1 978 283 2619

USA

Jabsco, Bingley Road, Hoddesdon, Hertfordshire, EN11 0BU
Tel: +44 (0) 1992 450 145 Fax+ 44 (0) 1992 467 132

UK

NHK Jabsco Co Ltd, 3-21-10, Shin - Yokohama Kohoku-ku, Yokohama 222
Tel: +81 (0) 45 475 8906 Fax: +81 (0) 45 475 8908

JAPAN

Jabsco GmbH, Ostraße 28, 22844 Norderstedt
Tel: +49 (0) 40 53 53 73 0 Fax: +49 (0) 49 53 53 73 11

GERMANY

Jabsco Italia, s.r.l., Via Tommaseo 6, 20059 Vimercate, Milano
Tel: +39 039 685 2323 Fax +39 039 666 307

ITALY

Warranty: All products of the company are sold and all services of the company are offered subject to the company's warranty and terms and conditions of sale, copies of which will be furnished upon request. The information provided herein is for guidance only, it does not constitute a guarantee of the performance or specification of any individual product or component.

© 2012 Xylem, Inc. All rights reserved. JABSCO is a registered trademark of Xylem Inc. or one of its subsidiaries.

SD1005 Rev C