



Models 22110-Series 22400-Series

SELF-PRIMING ENGINE COOLING PUMP

FEATURES

- Pump Body:** Bronze
Impeller: Jabsco Neoprene Compound
Shaft: 316 Stainless Steel
Shaft Seal: Buna N Lip Seal or
Mechanical Face Seal
Ports: 1-1/4" (31.75mm) Hose Barb
Weight: 5 lb (2.2 kg) Approx.

VARIATIONS AVAILABLE

MODEL NO.	DESCRIPTION
22110-0201	Lip Seal/Full Cam
22110-0251	Lip Seal/Half Cam
22110-0301	Mechanical Seal/Full Cam
22110-0351	Mechanical Seal/Half Cam
22400-0201	Lip Seal/Full Cam
22400-0301	Mechanical Seal/Full Cam

APPLICATION

MARINE ENGINE COOLING

- 22110 Half Cam Version Fits:
305 & 350 C.I. Chevrolet Block
22110 Full Cam Version Fits:
454 C.I. Chevrolet Block
22400 Version Fits:
8.1 Liter Chevrolet Block

INSTALLATION

This pump is designed to mount directly inside the crankshaft pulley on Chevrolet small block (305 & 350 C.I.) engines. The maximum recommended pump speed (engine speed) is 5200 RPM. The maximum recommended discharge pressure should not exceed 10 PSI. When the pump is installed so it operates at or near maximum speed, the inlet plumbing must be designed to minimize the vacuum at the pump inlet. A high speed scoop over the inlet thru-hull fitting is recommended to reduce inlet vacuum.

To install the pump on the crankshaft pulley, remove all belts that run off the pulley. Remove the bolts that secure the pulley to the vibration dampener. Note that in addition to the three 3/8" mounting bolt holes there are two pair of larger 5/8" locator holes in the pump mounting flange. These locator holes are used to position the pump on Chevrolet engines. Either one or the other pair of locator holes aligns with the two raised positioning bosses in the crankshaft pulley. Generally, the pair of holes located in a counterclockwise direction (viewed from the end cover end of pump) from the alternate pair of holes is used to position the pump on the 305 and 350 cubic inch engines. Usually,



22110-Series Pictured

Models 22110; 22400

the pair of locator holes located clockwise of the alternates is used to position the pump on the 454 cubic inch engine. However, there are occasional exceptions to this general rule so always ensure the pump mounting flange rests flat against the pulley prior to securing it in place. If the mounting flange does not rest flat against the pulley, reposition it aligning the alternate locator holes with the positioning bosses.

Place the pump in the center of the crankshaft pulley with the appropriate pair of locating holes aligned with the positioning bosses in the pulley. Ensure the pulley is properly aligned with the vibration dampener and secure both the pump and pulley to the dampener with three 3/8-24 x 3/4" cap screws (socket type) machine screws.

Replace all belts on the crankshaft pulley. Attach a torque arm/bracket from the torque arm boss on the pump to a convenient bolt on the engine. This torque arm must not impose a side force on the pump assembly. This could shorten bearing life in high RPM service.

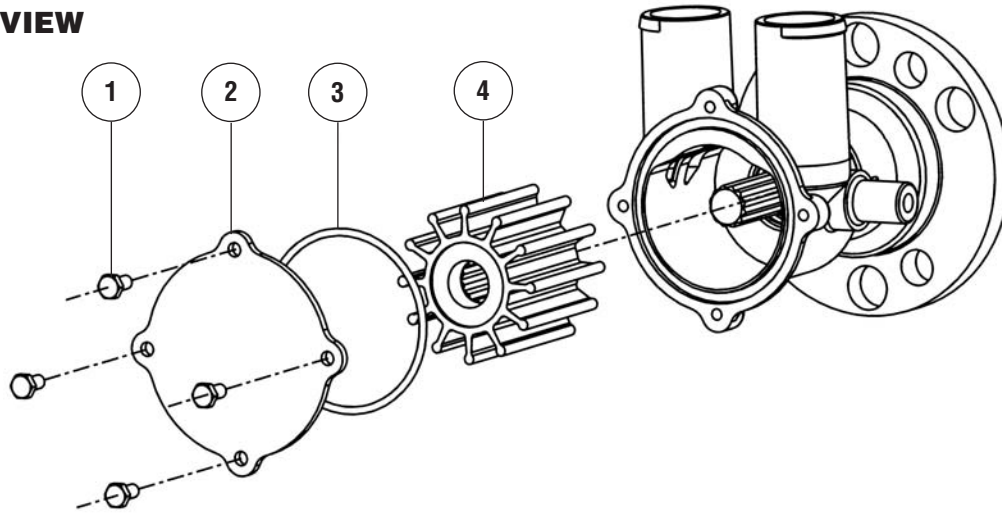
Attach and double clamp the intake and discharge hoses (1-1/4" ID) to the pump ports. Be sure the hoses do not impose a side force on the pump assembly. This could shorten pump bearing life in high RPM service. Hoses should be flexible and supported by the engine (not the pump). Start the engine and run at low speeds. Check the installation for leaks or vibration.

NOTICE: Failure to install the pump as instructed may result in excessive vibration which can contribute to pump and/or engine damage.

OPERATING INSTRUCTIONS

Do not run the pump over 5200 RPM. Be sure that the intake system is free from obstructions and the discharge system has less than 10 PSI pressure. The pump may be operated in either rotational direction. Inspect the pump periodically for leaks and vibration.

EXPLODED VIEW

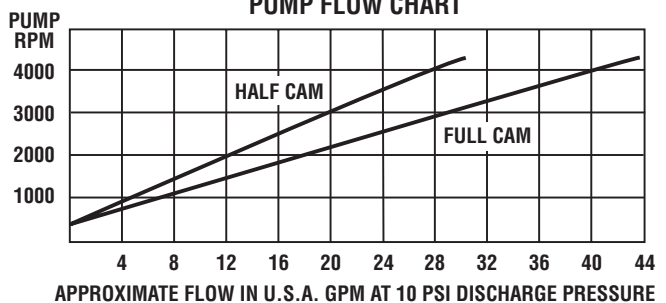


PARTS LIST

MODELS 22110 AND 22400 SERIES

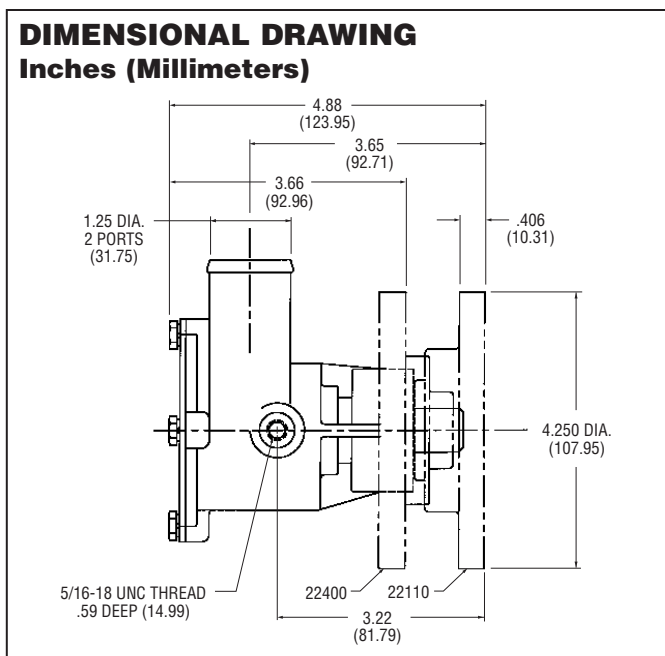
Key	Description	Qty.	Part Number
1	End Cover Screws	4	18753-0657
2	End Cover	1	22114-0000
3	O-Ring	1	18753-0656
4	Impeller	1	22120-0001

PUMP FLOW CHART



DIMENSIONAL DRAWING

Inches (Millimeters)



SERVICE INSTRUCTIONS

IMPELLER/GASKET REPLACEMENT

1. Remove the four end cover screws (Key 1). Remove end cover (Key 2) and end cover O-ring (Key 3).
2. Remove the impeller (Key 4) by grasping the impeller hub with a pair of pliers. If the impeller has been damaged and sections are missing, be sure that all bits of impeller are removed from the pump housing, ports, discharge line and heat exchangers.
3. Install the new impeller by rotating the impeller into the pump bore in the direction of operation (grease the pump bore to ease installation).
4. Replace the O-ring and end cover, tightening the end cover screws evenly.
5. Start engine and check for leaks and vibration.

Jabsco



ITT Industries

Engineered for life

THE PRODUCTS DESCRIBED HEREIN ARE SUBJECT TO THE JABSCO ONE YEAR LIMITED WARRANTY, WHICH IS AVAILABLE FOR YOUR INSPECTION UPON REQUEST.

U.S.A.
Jabsco
20 Icon
Foothill Ranch, CA 92610-3000
Tel: 949.609.5106
Fax: 949.859.1254

UNITED KINGDOM
Jabsco
Bingley Road, Hoddesdon
Hertfordshire EN11 0BU
Tel: +44 (0) 1992 450145
Fax: +44 (0) 1992 467132

CANADA
Fluid Products Canada
55 Royal Road
Guelph, Ontario N1H 1T1
Tel: (519) 821.1900
Fax: (519) 821.2569

JAPAN
NHK Jabsco Company Ltd.
3-21-10, Shin-Yokohama
Kohoku-Ku, Yokohama, 222
Tel: 045.475.8906
Fax: 045.475.8908

GERMANY
Jabsco GmbH
Oststrasse 28
22840 Norderstedt
Tel: +49-40-53 43 73 -0
Fax: +49-40-53 53 73 -11