



a xylem brand


### SELF-PRIMING PUMPS

#### FEATURES

- Body:** Bronze
- Impeller:** Neoprene, Nitrile
- Shaft Seal:** Lip Type
- Ports:** 3/8" NPT Female  
Two 3/4" Male Garden  
Hose Adapters Included
- Motor:** 1/6hp - 115V AC, 60 Hz ODP Motor  
1/4hp - 115V AC, 60 Hz TENV Motor
- Protection:** Thermal Overload
- Shaft:** Stainless Steel
- Cord:** 8' Cord with 3 Prong Grounded Plug
- Weight:** 12 lbs (5.4 kg)



Model 18655 Series

|   |  |
|---|--|
|  | <b>WARNING</b> Explosion hazard. Do not use where flammable vapors are present. Do not pump gasoline, solvents, thinners or other flammable liquids. To do so can cause an explosion resulting in injury or death. |
|---|--|

#### VARIATIONS AVAILABLE

| MODEL NO.         | DESCRIPTION                               |
|-------------------|---|
| <b>18655-0001</b> | Open Drip Proof Motor, Neoprene Impeller  |
| <b>18655-0003</b> | Open Drip Proof Motor, Nitrile Impeller   |
| <b>18655-0271</b> | Totally Enclosed Motor, Neoprene Impeller |

#### APPLICATIONS

##### INDUSTRIAL

Circulating, transferring, velocity-mixing, pumping machine tool coolants, sump drainage, soap, ink, dyes, alcohol, glycerine, brine and heliarc welding equipment cooling.

##### FARMING

Livestock watering, pumping water from shallow wells and cisterns.

##### MARINE

Washdown and utility dock side pumping.

##### PLUMBING & HOME EMERGENCY USE

Pumping out flooded basements, cesspools, sumps, water heaters and water closets, drains and sinks, draining fishponds and small pools.


##### PUBLIC UTILITIES AND MUNICIPALITIES

Dewatering and draining meter boxes and excavations, dust control and sampling.

## OPERATING INSTRUCTIONS

1. **INSTALLATION:** Pump may be mounted in any position. Inlet port is on the right and discharge port on the left when facing pump.
2. **SELF-PRIMING:** Dry suction lift is 6 feet. Dry suction lift with Neoprene impeller. Pump will produce suction lift up to 20 feet when wetted. **SUCTION LINES MUST BE AIRTIGHT OR PUMP WILL NOT PRIME.**
3. **DISCHARGE LINE:** When transferring liquids further than 25 feet, discharge line size should be increased to next available pipe size.
4. **RUNNING DRY: DO NOT RUN DRY.** Impeller depends on liquid pumped for lubrication. Dry running will damage the impeller and void warranty.
5. **NOTICE:** Consult Jabsco Chemical Resistance Table for appropriate body and impeller materials. Pump life is prolonged if pump is flushed with water after each use.
6. **LIQUID TEMPERATURE RANGE:**
  - Neoprene: 45° to 180° F ( 7° to 82° C)
  - Nitrile: 50° to 180° F (10° to 82° C)
7. **FREEZING WEATHER:** Loosen end cover screws to drain pump. Use glycol and alcohol based anti-freeze compounds. **DO NOT USE PETROLEUM BASED ANTI-FREEZE COMPOUNDS OR RUST INHIBITORS.**

## SERVICE INSTRUCTIONS

|  |   |
|--|---|
|  <b>CAUTION</b> | <b>Corrosive, caustic, or toxic fluids should be drained and flushed completely prior to service. Failure to do so can cause injury. Do Not Service With Power Connected.</b> |
|--|---|

### DISASSEMBLY

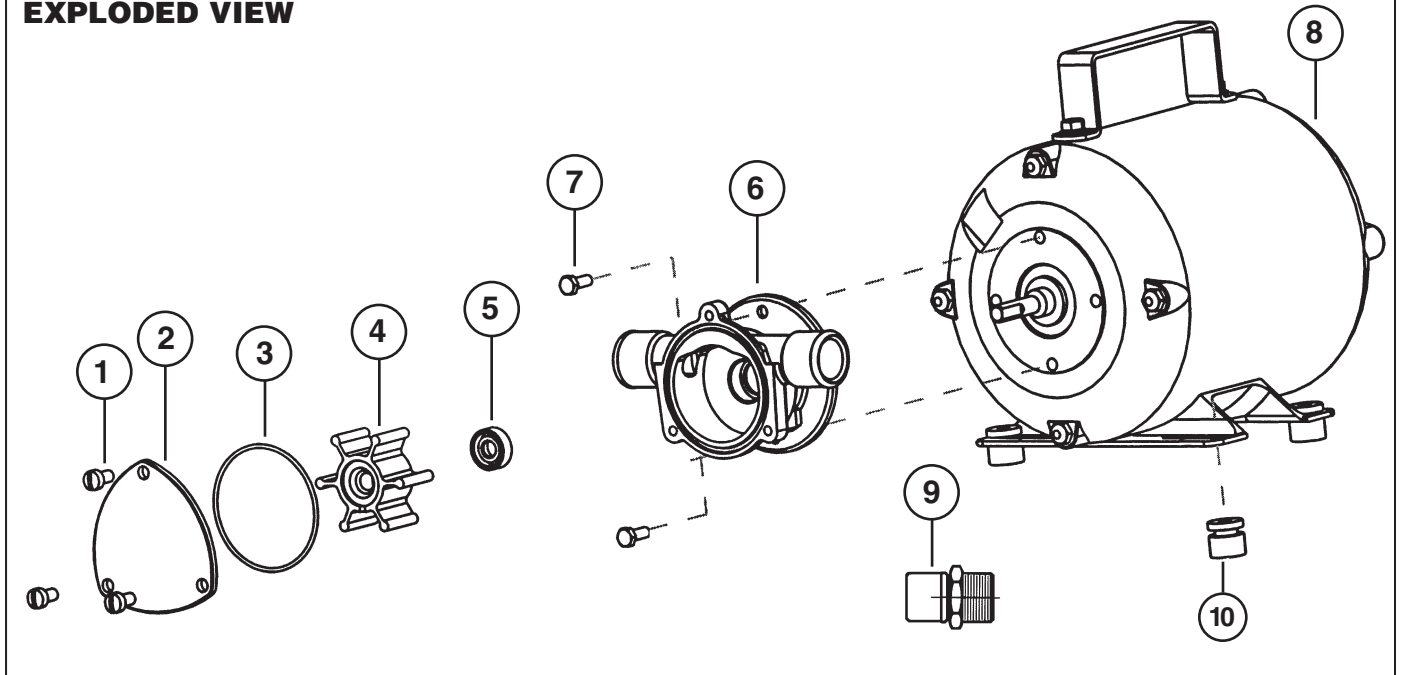
Refer to Exploded View on the following page.

1. Remove end cover screws (1) end cover (2), and O-ring (3).
2. Remove impeller (4).
3. Loosen and remove the two slotted hex screws (7) that attach pump body (6) to motor (8).
4. Disengage the shaft seal (5) from the seal bore using a 1/2" diameter dowel. Push the shaft seal from the motor-side of the pump body.
5. Do not tamper with or disassemble the motor.

### ASSEMBLY

1. Lubricate seal (5) with water. Position seal in bore with hollowed-out side of lip seal pointing toward the impeller bore. Using a 1/2" dowel, push seal into bore until it contacts the bottom.
2. Lubricate motor shaft and install body (6) on motor.
3. Lubricate impeller bore. Align impeller (4) and motor shaft flats. Install impeller with a clockwise motion.
4. Install O-ring (3), end cover (2) and screws (1).

## EXPLODED VIEW



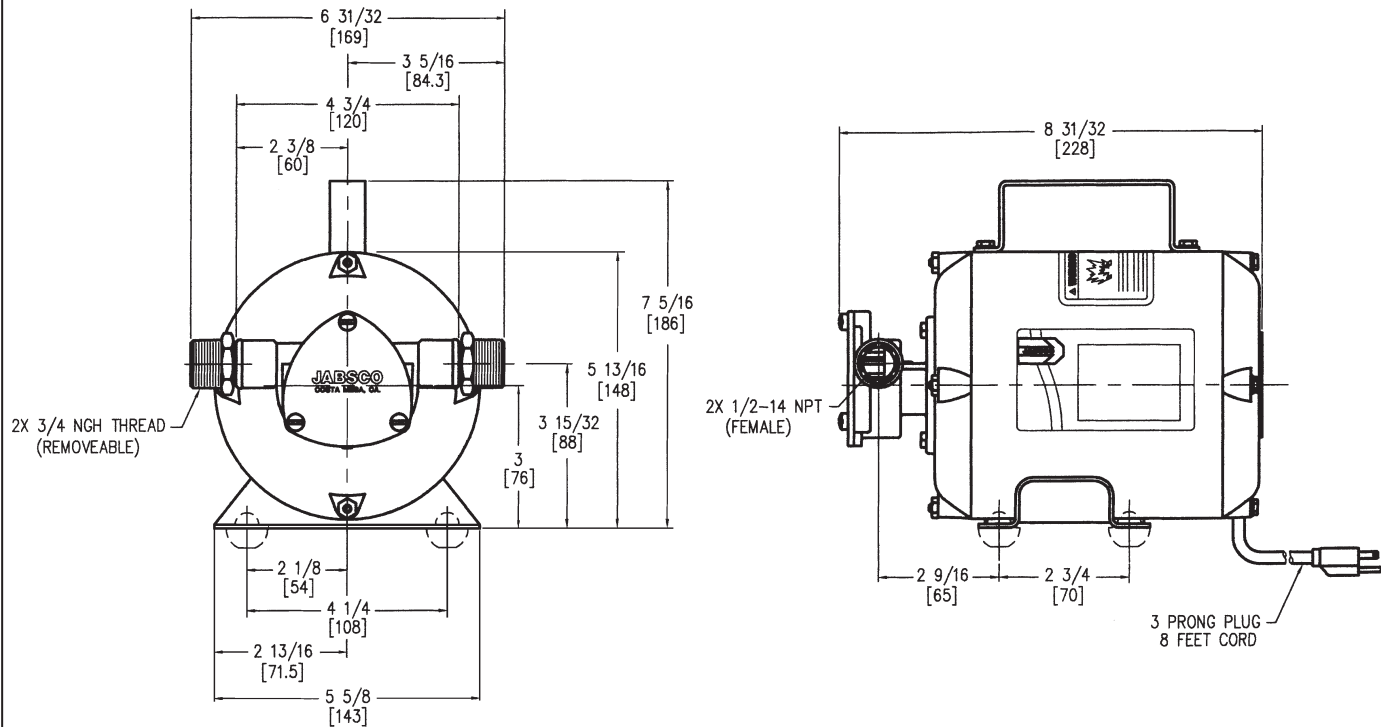
## PARTS LIST

| Key | Description                   | Kit No.    |
|-----|-------------------------------|------------|
| 1   | End Cover Screw Kit           | 18753-0102 |
| 2   | End Cover                     | 18647-0000 |
| 3   | O-Ring*                       | 18753-0660 |
| 4   | Impeller*: Neoprene           | 9200-0021  |
|     | Nitrile                       | 9200-0023  |
| 5   | Lip Seal*: Nitrile            | 18753-0384 |
| 6   | Body                          | 18646-0000 |
| 7   | Screws Pump-to-Motor          | 98019-0020 |
| 8   | Motor: 18655-0001             | 18740-0000 |
|     | 18655-0003                    | 18740-0000 |
|     | 18655-00271                   | 18742-0000 |
| 9   | 3/4" Male Garden Hose Adapter | 93009-0238 |
| 10  | Rubber Bumper Kit             | 92900-0020 |
|     | Service Kits For:             |            |
|     | 18655-0001                    | 90061-0030 |
|     | 18655-0271                    | 90061-0030 |
|     | 18655-0003                    | 90061-0035 |

\* Parts supplied in Service Kit

## DIMENSIONAL DRAWING

Inches (Millimetres)



## HEAD CAPACITY TABLE

| TOTAL HEAD |      |        |                    | CAPACITY   |      |
|------------|------|--------|--------------------|------------|------|
| Feet       | PSI  | Meters | Kg/cm <sup>2</sup> | 18655-0XXX |      |
|            |      |        |                    | Gpm        | Lpm  |
| 10         | 4.3  | 3.1    | 0.31               | 2.8        | 10.6 |
| 20         | 8.7  | 6.1    | 0.61               | 2.6        | 9.9  |
| 30         | 13.0 | 9.1    | 0.91               | 2.5        | 9.3  |
| 40         | 17.3 | 12.2   | 1.22               | 2.3        | 8.5  |
| 50         | 21.7 | 15.2   | 1.52               | 1.9        | 7.1  |

Typical performance in US gallons per minute and liters per minute pumping water.

THE PRODUCTS DESCRIBED HEREIN ARE SUBJECT TO THE JABSCO ONE YEAR LIMITED WARRANTY, WHICH IS AVAILABLE FOR YOUR INSPECTION UPON REQUEST.

[www.xylemflowcontrol.com](http://www.xylemflowcontrol.com)

Jabco, 1 Kondelin Road, Cape Ann Industrial Park, Gloucester, MA 01930  
Tel: +1 978 281 0440 Fax: +1 978 283 2619

Jabco, Bingley Road, Hoddesdon, Hertfordshire, EN11 0BU  
Tel: +44 (0) 1992 450 145 Fax: +44 (0) 1992 467 132

NHK Jabco Co Ltd, 3-21-10, Shin - Yokohama Kohoku-ku, Yokohama 222  
Tel: +81 (0) 45 475 8906 Fax: +81 (0) 45 475 8908

Jabco GmbH, Oststraße 28, 22844 Norderstedt  
Tel: +49 (0) 40 53 53 73 0 Fax: +49 (0) 49 53 53 73 11

Jabco Italia, s.r.l., Via Tommaseo, 6, 20059 Vimercate, Milano  
Tel: +39 039 685 2323 Fax: +39 039 666 307

USA

UK

JAPAN

GERMANY

ITALY



a xylem brand