

SELF-PRIMING PUMPS

FEATURES

- Body:** Bronze
- Impeller:** Made of Neoprene, Nitrile, Viton*
- Shaft Seal:** Lip Type
- Ports:** 3/8" NPT Internal
3/4" GHT External
- Motor:** 1/6hp - 115 Vac, 60 Hz. ODP Motor
1/4hp - 115 Vac, 60 Hz. TENV Motor
1725 RPM,
Thermal Overload Protector,
Stainless Steel Shaft,
8 ft. Cord with 3 Prong
Grounded Plug
- Weight:** 12 lb (5,4 kg)



Model 12510-Series

⚠ WARNING



Explosion hazard. Do not use where flammable vapors are present. To do so can cause an explosion resulting in injury or death

⚠ WARNING



Explosion hazard. Do not pump gasoline, solvents, thinners or other flammable liquids. To do so can cause an explosion resulting in injury or death.

VARATIONS AVAILABLE

Model Number	Description
12520-1001	Open Drip Proof Motor, Neoprene Impeller
12520-1003	Open Drip Proof Motor, Nitrile Impeller
12520-0271	Totally Enclosed Motor, Neoprene Impeller

APPLICATIONS

INDUSTRIAL: Circulating and transferring, velocity-mixing, pumping machine tool coolants, return spill, sump drainage, pharmaceuticals, soap, liquors, ink, dyes, alcohol, glycerine, brine and pumping water for cooling heliarc welding equipment

FARMING: Pumping water for stock, pumping water from shallow wells and cisterns

MARINE: Washdowns, utility dock side pump

PLUMBING & HOME EMERGENCY USE: Pumping out flooded basements, cesspools, sumps, water heaters and water closets, drains and sinks, draining fishponds and small pools

PUBLIC UTILITIES AND MUNICIPALITIES: Dewatering and draining meter boxes and excavations, dust control and sampling

*Viton is a registered trademark of Du Pont Dow Elastomers L.L.C.

OPERATING INSTRUCTIONS

- 1. INSTALLATION:** Pump may be mounted in any position. Inlet port is on the right and discharge port on the left when looking at end cover.
- 2. SELF-PRIMING:** Vertical dry suction lift of 6 feet with Neoprene impeller. Pump will produce suction lift up to 20 feet when wetted. **BE SURE SUCTION LINES ARE AIRTIGHT OR PUMP WILL NOT SELF-PRIME.**

Note: Viton impeller suction lift requirement should not exceed 3 feet.
- 3. DISCHARGE LINE:** When transferring liquids further than 25 feet, discharge line size should be increased to next available pipe size.
- 4. RUNNING DRY:** Unit depends on liquid pumped for lubrication. **DO NOT RUN DRY** for more than 30 seconds. Lack of liquid will damage the impeller.
- 5. NOTICE:** If pumping highly concentrated or organic acids, consult Jabsco Chemical Resistance Table (available upon request from Jabsco) for proper body materials and impeller compounds. When corrosive fluids are handled, pump life will be

prolonged if pump is flushed with water after each use or after each work day.

- 6. PRESSURES:** Consult Head Capacity Table for recommended maximum pressures for continuous operation. If pressures exceed those shown, consult the factory for application assistance.
- 7. TEMPERATURES:**

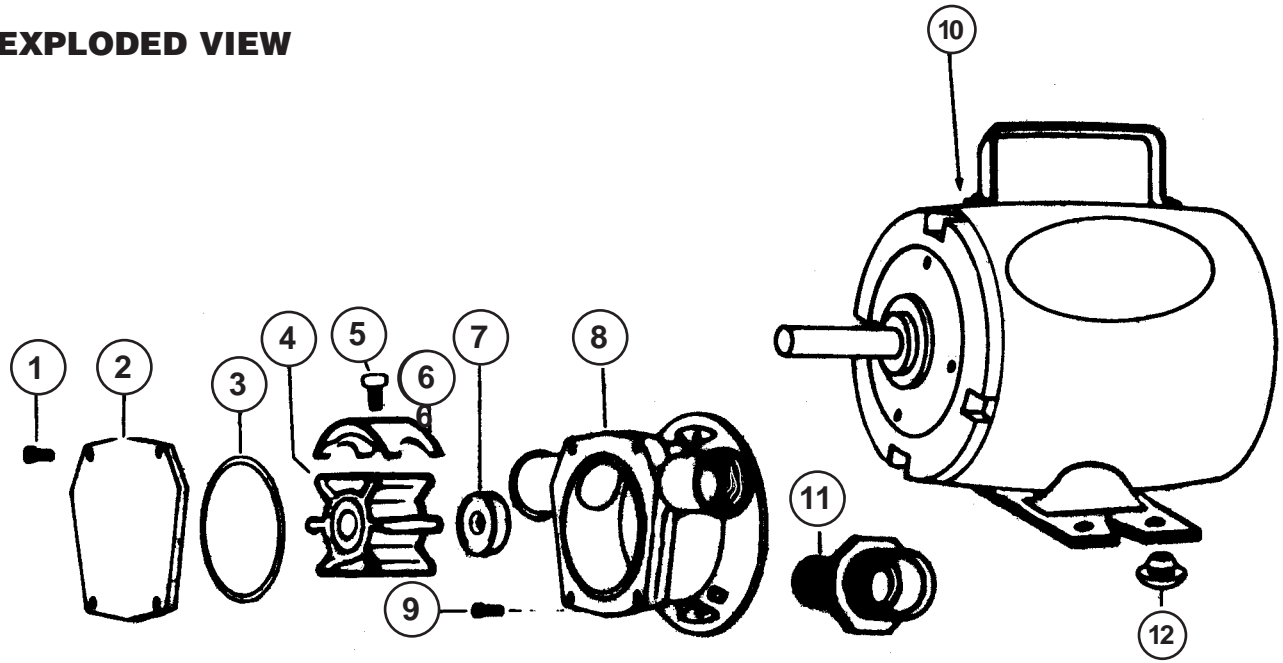
Neoprene: 45° to 180° F (7° to 82° C)
Nitrile: 50° to 180° F (10° to 82° C)
Viton: 60° to 180° F (15° to 82° C)
- 8. FREEZING WEATHER:** Drain unit by loosening end cover. The following anti-freeze compounds can be used without adverse effects to the impeller: Atlas "Permaguard," DuPont "Zerex" and "Telar", Dow Chemical "Dowguard" and Olin Mathison "Pyro Permanent." **DO NOT USE PETROLEUM BASED ANTI-FREEZE COMPOUNDS OR RUST INHIBITORS.**
- 9. SPARE PARTS:** To avoid costly shut downs, keep a JABSCO Service Kit on hand.

HEAD CAPACITY TABLES

TOTAL HEAD		CAPACITY	
P.S.I. (kg/sq cm)	Ft. (Metres)	12510-0001 12510-1271	12510-0003
4.3 (0,3)	10 (0,3)	2.7 (10,2)	2.7 (10,2)
8.7 (0,6)	20 (6,1)	2.6 (9,8)	2.5 (9,5)
13.0 (0,9)	30 (9,1)	2.5 (9,5)	2.2 (8,3)
17.3 (1,2)	40 (12,2)	2.4 (9,1)	2.1 (7,9)
21.6 (1,5)	50 (15,2)	2.3 (8,7)	2.0 (7,6)

Tables show approximate Head-Flow for new pump in U.S. GPM (litres/min.)

EXPLODED VIEW



SERVICE INSTRUCTIONS

DISASSEMBLY

CAUTION Pumps which have handled corrosive, caustic or toxic fluids should be drained and completely flushed prior to servicing. Failure to do so can cause injury.

1. Remove screws, end cover and gasket/O-ring.
2. Withdraw impeller.
3. Loosen and remove two slotted hex screws, which attach body to motor.
4. Tap body lightly between ports and remove body from motor. Deform seal and remove from body cavity.
5. Press seal out of seal cavity.

NOTE: Do not tamper with or disassemble motor.

ASSEMBLY

1. Press seal into seal cavity with lip facing impeller bore. Lubricate lip of seal. The retainer supplied with the replacement seal is not normally required in this bronze body pump assembly.
2. Lubricate motor shaft and install body on motor.
3. Lubricate impeller bore and, aligning flat in impeller with flat on motor shaft, install impeller with a clockwise rotary motion.
4. Install gasket/O-ring, end cover and screws.

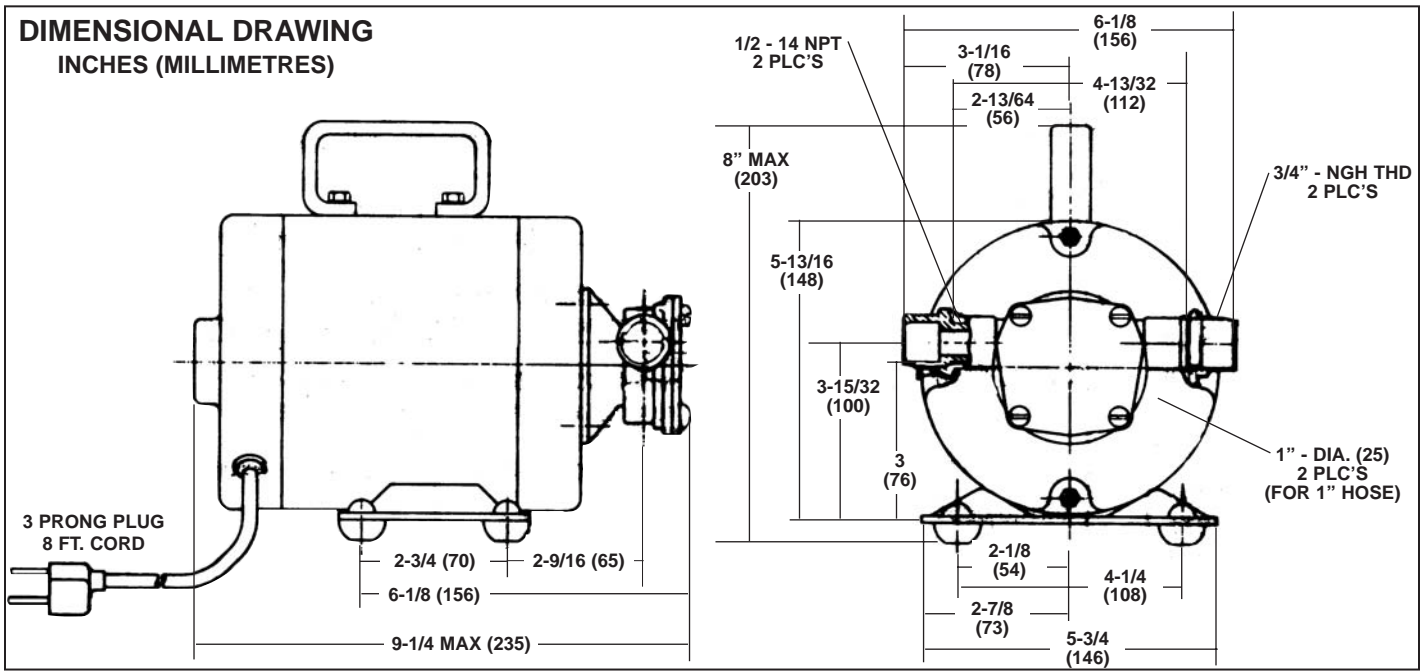
PARTS LIST

Key	Description	12510-Series
1	Screw Kit (End Cover) includes 3 screws	18753-0105
2	End Cover	11833-0000
3	*Gasket/O-Ring	9156-0000
4	*Impeller, Neoprene Nitrile	9200-0001 9200-0003
5	*Seal, Buna N	1040-0000†
6	**Body	9154-0000
7	Screw (Pump to Motor)	98019-0020
8	Motor -X001 } -X003 } -1004 } -X271 } -1273 } -1274 }	18740-0000 18742-0000
9	Rubber Bumper Service Kit -X001 } -X271 } -X003 } -1273 }	92900-0020 90106-0001 90106-0013
	Replacement Pump Head -X001 } -X271 } -X003 } -1273 }	9130-1001 9130-1003

†1040-0000 - Replacement seal kit contains a press-in retainer, which is not used in 12510-Series pumps.

*Parts Supplied in Service Kit.

DIMENSIONAL DRAWING
INCHES (MILLIMETRES)



Jabsco



ITT Industries
Engineered for life

THE PRODUCTS DESCRIBED HEREIN ARE SUBJECT TO THE JABSCO ONE YEAR LIMITED WARRANTY, WHICH IS AVAILABLE FOR YOUR INSPECTION UPON REQUEST.

U.S.A.
Jabsco
20 Icon
Foothill Ranch, CA 92610-3000
Tel: 949 609.5106
Fax: 949 859.1254

UNITED KINGDOM
Jabsco
Bingley Road, Hoddesdon
Hertfordshire EN11 OBU
Tel: +44 (0) 1992 450145
Fax: +44 (0) 1992 467132

CANADA
Fluid Products Canada
55 Royal Road
Guelph, Ontario N1H 1T1
Tel: 519 821.1900
Fax: 519 821.2569

JAPAN
NHK Jabsco Company Ltd.
3-21-10, Shin-Yokohama
Kohoku-Ku, Yokohama, 222
Tel: 045.475.8906
Fax: 045.475.8908

GERMANY
Jabsco GmbH
Oststrasse 28
22840 Norderstedt
Tel: +49-40-53 53 73 -0
Fax: +49-40-53 53 73 -11