



Model 12290-Series

Model 12290-Series

SELF-PRIMING PUMPS

FEATURES

- Body:** Phenolic Plastic
- Impeller:** Neoprene, Nitrile or Viton*
- Seal:** Lip Type
- Ports:** 5/8" OD for Hose Connections
- Shaft:** Shaft of Motor (Stainless Steel)
- Motor:** 115 Vac, 1/6 hp, 1750 RPM, 60 Hz, relay start and thermal over-load protector, Three-prong ground plug
- Weight:** 12 lb (5.4 kg) approx.



MODEL DESCRIPTION

- 12290-0001** Neoprene Impeller; Open Drip Proof Motor
- 12290-0003** Nitrile Impeller; Open Drip Proof Motor
- 12290-0004** Viton Impeller and Seal; Open Drip Proof Motor
- 12290-0271** Neoprene Impeller; Totally Enclosed Motor
- 12290-0273** Nitrile Impeller; Totally Enclosed Motor
- 12290-0274** Viton Impeller and Seal; Totally Enclosed Motor

APPLICATIONS

Designed as a low cost pump for: transfers, circulation, spill returns, filtration and filling line use. Easily handles pure solutions, foaming liquids, emulsions, suspended solids and ferments with viscosities less than 500 SSU (120 cp). Because the plastic pump is resistant to corrosion and metallic contamination, it is widely used for pumping photo chemicals, plating compounds, lab solutions, pharmaceuticals, cosmetics, weak acids, alkalies, liquid fertilizers, insecticides, dyes, detergents, waxes and many more.

See the Jabsco Chemical Resistance Table in the Industrial Catalog, available upon request from Jabsco, which has been prepared to help you select the most suitable impeller and pump material.

OPERATING INSTRUCTION

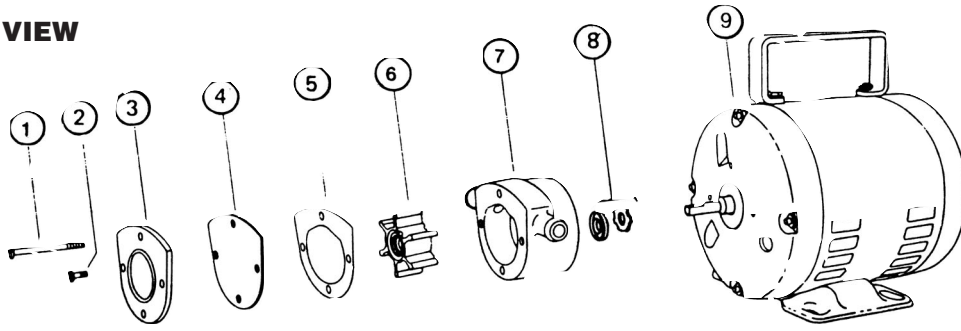
1. **INSTALLATION** – Pump may be mounted in any position. Intake port is on right when viewing pump end cover.

⚠ WARNING	Explosion hazard. Motor can spark. Explosion & death can occur. Do not use where flammable vapors are present.

2. **SELF-PRIMING** – Vertical dry suction lift of up to 10 feet (3 m) for neoprene; 5 feet (1.5 m) for nitrile and viton. Pump will produce suction lift up to 15 feet (4.5 m) when wetted. **BE SURE SUCTION LINES ARE AIRTIGHT OR PUMP WILL NOT SELF-PRIME.**
3. **DISCHARGE LINE** – When transferring liquids further than 25 feet (7.6 m), use 3/4 inch (17.5 mm) discharge line.
4. **RUNNING DRY** – Unit depends on liquid pumped for lubrication. **DO NOT RUN DRY FOR MORE THAN 30 SECONDS.** Lack of liquid will damage the impeller and other pump components.
5. **NOTICE** – When corrosive fluids are handled, pump life will be prolonged if pump is flushed with water after each use or after each work day. For further information, contact factory.
6. **PRESSURES** – For continuous operation, pressure should not exceed 15 psi (1.05 kg/cm).
7. **TEMPERATURES** – Impellers are suitable for service as follows: Neoprene impeller 45° to 180°F (4.4° to 82.2°C), Nitrile impeller 50° to 180°F (10° to 82.2°C) and Viton impeller 60° to 180° F (15.6° to 82.2°C).
8. **SPARE PARTS** – A Jabsco Service Kit should be kept on hand to maintain all but the most badly worn pumps.

* Viton is a registered trademark of E.I. Du Pont de Nemours and Company.

EXPLODED VIEW



SERVICE INSTRUCTIONS

DISASSEMBLY

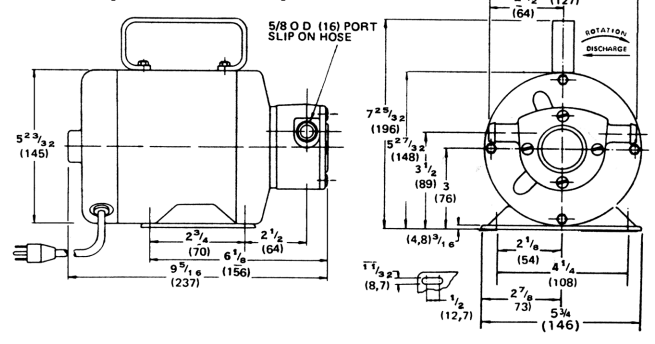
1. Remove end cover screws, end cover, wearplate and gasket.
2. Remove impeller.
3. Remove body
4. Pry seal retainer from seal cavity and press seal out of cavity from impeller bore side.

NOTE: Inspect all parts for wear or damage and replace if necessary.

ASSEMBLY

1. Press seal into seal cavity with lip towards impeller bore until it bottoms firmly against shoulder. Center seal retainer (concave side up) in seal cavity and press it firmly against seal using 11/16" diameter dowel or 3/8" steel pipe.
2. Install body on motor shaft loosely.
3. Install impeller in lubricated impeller bore.
4. Lubricate impeller face.
5. Install gasket, wearplate and end cover on body and secure with short screws.
6. Secure body to motor with long screws.

DIMENSIONAL DRAWING INCHES (MILLIMETERS)



PARTS LIST

KEY	DESCRIPTION	PART NUMBER	QTY.
1	Screw (Body to Motor)	91014-0010	2
2	Screw (end Cover)	91014-0020	2
3	End Cover	12555-0000	1
4	Wearplate	12557-0000	1
5	Gasket*	12558-0000	1
6	Impeller*		
	Neoprene	7273-0001	
	Nitrile	7273-0003	
	Viton	7273-0004	
7	Body	12554-0000	1
8	Seal*		
	Standard	1040-0000	
	Viton	1040-0001	
9	Motor		1
	Open Drip Proof	18740-0000	
	Totally Enclosed	18742-0000	
	Replacement Pump Head		
	w/Neoprene Impeller	12590-0011	
	w/Nitrile Impeller	12590-0003	
	w/Viton Impeller	12590-0021	
	Service Kit		
	w/Neoprene Impeller	90126-0002	
	w/Nitrile Impeller	90126-0013	
	w/Viton Impeller	90126-0004	

* Parts supplied in Service Kit.

CAPACITY CHART @ 1750 RPM

		Total Head		Flow	
psi	kg/cm ²	feet meters of water		GPM	l/min
4.3	0.30	10	3.0	5.8	22
8.7	0.61	20	6.1	5.0	18.9
13.0	0.91	30	9.1	3.8	14.4

Table shows approximate Head-Flow for new pump in U.S. Gallons (and liters) with Neoprene Impeller. Capacities reduced approximately 10% with Nitrile or Viton Impellers.

Jabsco



ITT Industries
Engineered for life

U.S.A.
Jabsco
20 Icon
Foothill Ranch, CA 92610-3000
Tel: 949 609.5106
Fax: 949 859.1254

UNITED KINGDOM
Jabsco
Bingley Road, Hoddesdon
Hertfordshire EN11 OBU
Tel: +44 (0) 1992 450145
Fax: +44 (0) 1992 467132

CANADA
Fluid Products Canada
55 Royal Road
Guelph, Ontario N1H 1T1
Tel: 519 821.1900
Fax: 519 821.2569

JAPAN
NHK Jabsco Company Ltd.
3-21-10, Shin-Yokohama
Kohoku-Ku, Yokohama, 222
Tel: 045.475.8906
Fax: 045.475.8908

GERMANY
Jabsco GmbH
Oststrasse 28
22840 Norderstedt
Tel: +49-40-53 53 73 -0
Fax: +49-40-53 53 73 -11