



a xylem brand

SELF-PRIMING PUMPS

FEATURES

- Pump Body:** Bronze Construction
- Impeller:** Jabsco Neoprene Compound
- Shaft:** Stainless Steel Shaft Protected by Stainless Steel Impeller Sleeve
- Wearplate:** Replaceable
- Shaft Seal:** Lip Type
- Ports:** Both 3/4" Garden Hose External Thread and 1/2" Internal Pipe Thread
- Motor:** 1/3 HP/1800 RPM, Continuous Duty
- Weight:** 22 lbs (10 kg) Approx.



Models 11810-0121, 11810-0241

VARIATIONS AVAILABLE

MODEL NO.	DESCRIPTION
11810-0121	12V DC
11810-0241	24V DC

Motor meets USCG Electrical Standards (Title 33, Chapter 1, Part 183; Subpart 1) for ignition protection on gasoline powered vessels.

APPLICATIONS

Ideal for Bilge Pumping, Bait Tank, Wash Downs, and General Marine Service.

OPERATING INSTRUCTIONS

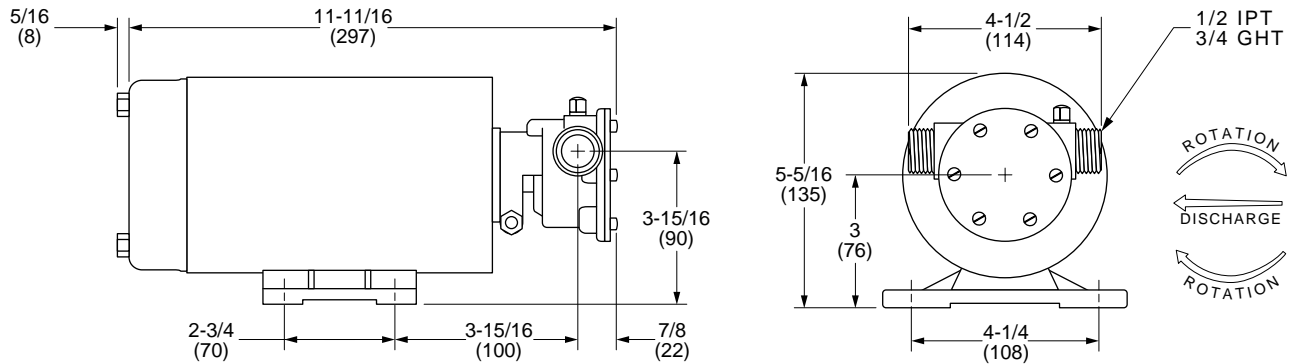
1. **INSTALLATION** – Pump may be mounted in any position without loss of efficiency; however, it is suggested that the pump head be down if vertical mounting is desired. The rotation of the motor shaft determines the location of the pump’s intake and discharge ports. Refer to the Dimensional Drawing.
2. **DRIVE** – Direct.
3. **SELF-PRIMING** – Pump will produce a suction lift approaching 10 feet when dry and a lift up to 22 feet when primed. **BE SURE SUCTION LINES ARE AIR TIGHT** or pump will not self-prime.

4. **RUNNING DRY** – Unit depends on liquid pumped for lubrication. **DO NOT RUN DRY** for more than 30 seconds. Lack of liquid will burn the impeller.
5. **NOTICE** – Do not pump solvents, thinners, highly concentrated or organic acids. Pump damage may result. If corrosive fluids must be handled, pump life will be prolonged if pump is flushed with water after each use or after each work day.
6. **PRESSURES** – For continuous operation, do not exceed 40 feet total developed head.
7. **TEMPERATURE** – Impeller supplied in pump is

HEAD CAPACITY TABLE

TOTAL HEAD				1800 RPM	
psi	kg per sq cm	ft of Water	Meters of Water	GPM	LPM
4.3	0.3	10	3	11.2	42.4
8.7	0.6	20	6.1	10.5	39.7
13.0	0.9	30	9.1	9.4	35.6
13.0	1.2	40	12.2	8.1	30.7

DIMENSIONAL DRAWING



ELECTRICAL SPECIFICATIONS

Pump Models	Voltage	AMP Draw	Fuse Size	Total Wire Length* – feet (meters)		
				0-10 (0-3)	11-20 (3-6)	21-35 (6-11)
11810-0121	12V DC	28.0	30	#10 (6)	#8 (10)	#6 (16)
11810-0241	24V DC	14.0	15	#16 (1.5)	#14 (2.5)	#14 (2.5)

* Wire lengths are the sum of both positive and negative conductors.

WIRING

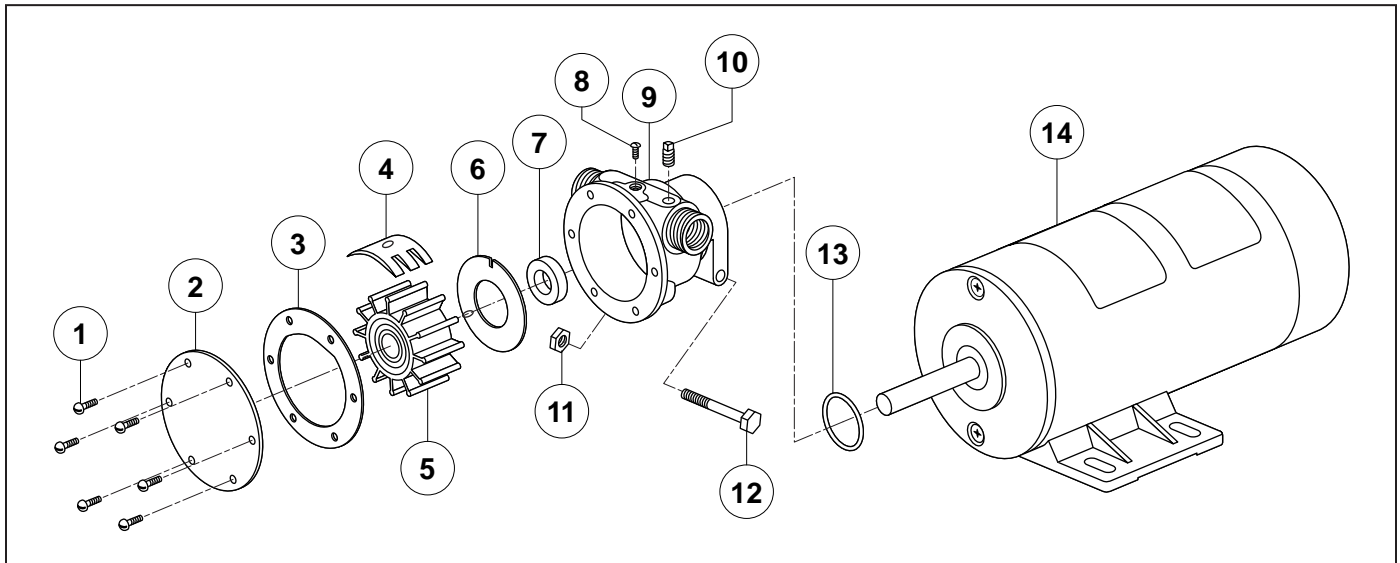
Ensure wiring is adequate size to avoid a potential voltage drop by using the wire size specified in the Electrical Specifications Chart.

It is recommended that a strain relief wire connector be installed in the rear end-bell protective cover to prevent electrical connections from being accidentally pulled loose. Remove the two cover retaining nuts and the protective cover. Select the type of strain relief wire connector to be used and remove the appropriate knockout. Install the strain relief wire connector in the end-bell cover. Feed the power leads through the wire connector and secure them in place leaving adequate length on the motor side of the cover to attach the leads to the motor

terminals.

For proper clock-wise motor rotation, attach the positive lead to the motor terminal marked A1 and the negative lead to the terminal marked A2. Reposition the protective cover on the two mounting studs and against the motor end-bell. Secure the cover in place with the two retaining nuts.

If a switch is installed in the positive power lead to control the operation of the pump, it is essential that it has an amperage rating equal to or greater than the recommended fuse size.



SERVICE INSTRUCTIONS

DISASSEMBLY

1. Remove end cover screws, gasket and end cover.
2. Grasp impeller hub with water pump pliers and withdraw from body.
3. Loosen cam screw and remove cam. Clean off sealant. Remove wearplate with screwdriver or hooked wire.
4. Loosen nut at body clamp. Remove body from motor shaft.
5. Press out seal from motor mounting end of body towards impeller bore.
6. Remove slinger from shaft.

NOTE: Inspect all parts for wear or damage and replace if necessary. When returning to factory for repair, return the pump head only, unless motor replacement is required.

ASSEMBLY

1. Install slinger and position 1/4" from motor boss.
2. Press seal into bore with lip facing toward the impeller bore. Apply grease to back of seal lip.
3. Install wearplate, aligning slot with dowel pin.
4. Apply sealant to top of cam crew threads. Install cam with cam screw.

PARTS LIST

Key	Description	Qty.	Part Number
1	Screw End Cover (3 per kit)	2	91002-0020
2	End Cover	1	11815-0000
3	Gasket*	1	3298-000
4	Cam	1	490-0000
5	Neoprene Impeller*		5929-0001
	Nitrile Impeller	1	5929-0003
6	Wearplate	1	2235-0000
7	Seal (Shaft)*	1	92700-0420
8	Screw (Cam - 3 per kit)	1	91003-0010
9	Body	1	11814-0000
10	Plug (for vacuum switch hole)	1	92650-0070
11	Nut (3 per kit)	1	91105-0030
12	Bolt (3 per kit)	1	91095-0090
13	Slinger (O-Ring)	1	92000-0230
14	Motor 12V DC	1	18753-0011
	Motor 24V DC		18753-0012

4732-000 – VACUUM SWITCH KIT – automatic shut off for use when pump is left unattended.

* Parts contained in Service Kit.

SERVICE KITS

90105-0001	Neoprene Impeller
90105-0003	Nitrile Impeller

REPLACEMENT PUMP HEADS COMPLETE

11818-0001	Neoprene Impeller
------------	-------------------

A. LIMITED WARRANTY:

Jabsco warrants that at the time of shipment, the products manufactured by Jabsco and sold hereunder shall be in conformity with applicable written specifications and descriptions referred to or set forth herein, free from defects in material and, merchantable, and suitable for a particular purpose, provided such is implied by State law under the circumstances of this sale.

B. WARRANTY ADJUSTMENT:

1. Jabsco agrees to repair or furnish a replacement for, but not to remove or install, any product or component thereof which, within one (1) year from date of purchase, shall upon test and examination by Jabsco prove defective within the above warranty. Receipt verifying purchase date is required to obtain adjustment.
2. Buyer shall notify Jabsco of any defect within this warranty no later than ninety (90) days after the defect is discovered.
3. No product will be accepted for return or replacement without the prior written authorization of Jabsco. Upon such authorization, and in accordance with instructions from Jabsco, the product will be returned to Jabsco, shipping charges prepaid by Buyer. Products returned to Jabsco will be addressed as follows:

JABSCO
1485 Dale Way
Costa Mesa, California 92626-3998

Or to such alternate locations as may be designated on the product, its container, or this sheet.
 Repair or replacement made under this warranty will be shipped prepaid to Buyer.

C. EXCLUSIONS FROM WARRANTY AND LIMITATION OF LIABILITY:

1. The foregoing warranty is limited solely as set forth herein and applies only for the period

designated above.

2. JABSCO SHALL NOT BE LIABLE FOR ANY LOSS, DAMAGE, SPECIAL OR CONSEQUENTIAL DAMAGE OF ANY KIND, WHETHER BASED UPON WARRANTY, CONTRACT, NEGLIGENCE, OR STRICT LIABILITY ARISING IN CONNECTION WITH THE SALE, USE, OR REPAIR OF THE PRODUCT.
3. THE MAXIMUM LIABILITY OF JABSCO IN CONNECTION WITH THIS WARRANTY SHALL NOT IN ANY CASE EXCEED THE CONTRACT PRICE FOR THE PRODUCT CLAIMED TO BE DEFECTIVE OR UNSUITABLE.
4. This warranty does not extend to any product manufactured by Jabsco which has been subjected to misuse, neglect, accident, improper installation, or use in violation of instructions furnished by Jabsco.
5. This warranty does not extend to or apply to any unit which has been repaired or altered at any place other than Jabsco’s factory, or by persons not expressly approved by Jabsco, nor to any unit the serial number, model number, or identification of which has been removed, defaced or changed.
6. Components manufactured by any supplier other than Jabsco shall bear only that warranty made by the manufacturer of that product.
7. This warranty applies to products defined as “consumer products” by the Consumer Product Warranties Act as from time to time amended.

D. CONSUMER RIGHTS:

This warranty gives you specific legal rights, and you may have other rights which vary from state to state. Some states do not allow exclusion or limitation of damages.

STANDARD WARRANTY: If the products manufactured and sold hereunder are not Consumer Products, the warranty extended to Buyer shall be as set forth in subparagraphs (A), (B), and (C), **EXCEPT THAT ALL EXPRESS OR IMPLIED WARRANTIES OR MERCHANTABILITY OR SUITABILITY FOR ANY PARTICULAR PURPOSE ARE EXCLUDED.**

www.xylemflowcontrol.com

Jabsco, 100 Cummings Center, Ste. 535-N, Beverly, MA 01915
Tel: +1 978 281 0440 Fax: +1 978 283 2619

Jabsco, Bingley Road, Hoddesdon, Hertfordshire, EN11 0BU
Tel: +44 (0) 1992 450 145 Fax: +44 (0) 1992 467 132

NHK Jabsco Co Ltd, 3-21-10, Shin - Yokohama Kohoku-ku, Yokohama 222
Tel: +81 (0) 45 475 8906 Fax: +81 (0) 45 475 8908

Jabsco GmbH, Oststraße 28, 22844 Norderstedt
Tel: +49 (0) 40 53 53 73 0 Fax: +49 (0) 49 53 53 73 11

Jabsco Italia, s.r.l., Via Tommaseo, 6, 20059 Vimercate, Milano
Tel: +39 039 685 2323 Fax: +39 039 666 307

USA

UK

JAPAN

GERMANY

ITALY



a xylem brand