

Spare Parts List

6 Size Pumps

Ultima

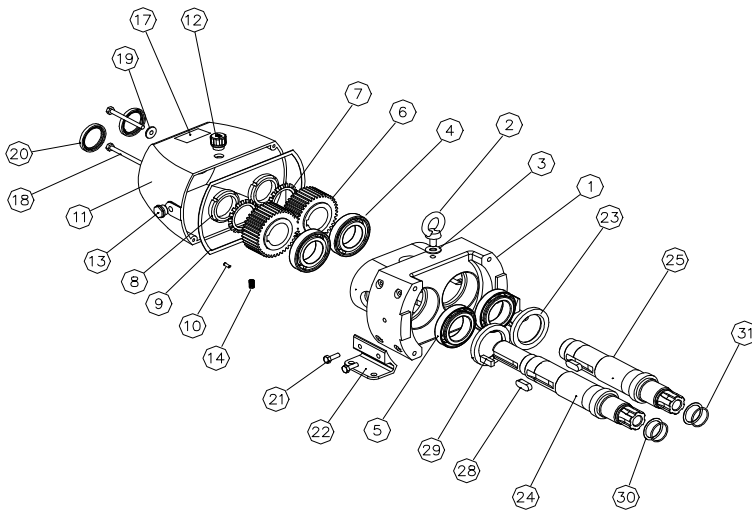


Contents

Page 1	-	Gearbox & Bearing Housing
Page 2	-	Wet End - Rotor Case & Rotors
Page 3	-	Single Mechanical Seal
Page 4	-	Flush For Single Mechanical Seal
Page 5	-	Double Mechanical Seal Conversion Kit
Page 6	-	Thermal Jackets
Page 7	-	Tools

6 Size Pumps

Gearbox & Bearing Housing

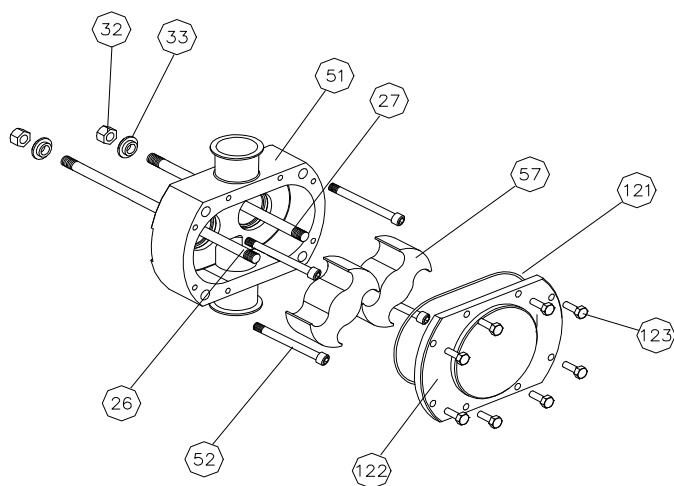


Key No.	Description	Where used	Part No.	Qty Req.
1	Bearing carrier Housing - Stainless Steel 304	62 & 64 Size	56603-0000	1
2	Eye Bolt	62 & 64 Size	SP7040-0011	1
3	Washer - Eye Bolt	62 & 64 Size	X5268-002	1
4	Bearing Rear	62 & 64 Size	92601-0473	2
5	Bearing Front	62 & 64 Size	SP2601-0502	2
6	Timing Gear Set (2 gears per set)	62 & 64 Size	55608-0000	1
7	Tab Washer - Gear Nut	62 & 64 Size	98022-2351	2
8	Gear Nut	62 & 64 Size	98022-2350	2
9	Gasket Gear Cover	62 & 64 Size	55607-0001	1
10	Roll Pin - Bearing Carrier Housing	62 & 64 Size	SP3100-0225	2
11	Gear Cover - Stainless Steel	62 & 64 Size	56606-0000	1
12	Plug - Oil Filler/Breather	62 & 64 Size	24020-0002	1
13	Oil Level Window	62 & 64 Size	SP8022-2248	1
14	Drain Plug	62 & 64 Size	SP2650-0220	1
17	Label - Ultima	62 & 64 Size	23005-1821	1
16	Label - Rotary Lobe Pump	62 & 64 Size	23005-1822	1
18	Screw - Gear Cover	62 & 64 Size	X3001-227F	2
19	Washer (Nylon) - Gear Cover	62 & 64 Size	SP1613-1390	2
20	Lip Seal - Rear Gear Cover	62 & 64 Size	SP2701-0904	2
21	Screws - Foot Mounting	62 & 64 Size	X3007-213F	4
22	Foot - Horizontal Ports (Stainless Steel) - Vertical Ports (Stainless steel)	62 & 64 Size	54618-0000 54619-0000	2
23	Lip Seal - Front Bearing Carrier Housing	62 & 64 Size	92701-1026	2
24	Shaft - Driving	62 Size 64 Size	56627-0000 56647-0000	1
25	Shaft - Driven	62 Size 64 Size	56628-0000 56648-0000	1
28	Key - Timing Gear Drive	62 & 64 Size	X4000-544A	2
29	Key - Drive Shaft	62 & 64 Size	X4000-549A	1
30	Shim Kit - Rotor Clearance	62 & 64 Size	54686-0000B	1
31	O-Ring - Shim Retention - Nitrile	62 & 64 Size	X1990-96	2

	Gearbox Service Kit Consists of: 2 x Front Oil Seal for bearing housing 2 x Rear Oil Seal for gear cover 1 x Gasket - Gear cover 2 x Washer for sealing gear cover screws	62 & 64 Size	54685-0000B	1
--	--	--------------	-------------	---

6 Size Pumps

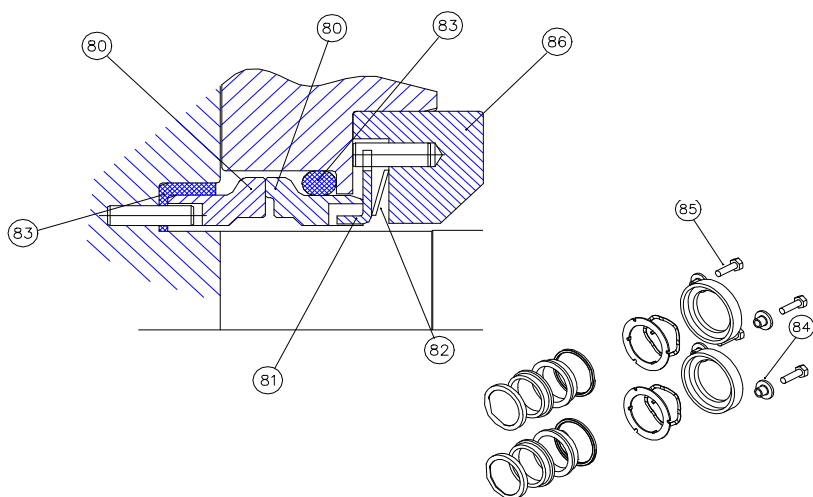
Wet End
Rotor Case & Rotors



Key No.	Description	Where used	Part No.	Qty Req.
26	Tie rod - drive shaft	62 Size 64 Size	55625-0000 55645-0000	1
27	Tie rod - driven shaft	62 Size 64 Size	55626-0000 55646-0000	1
32	Nut	62 & 64 Size	55633-0000	2
33	Washer - Locking	62 & 64 Size	55632-0000	2
51	Rotor Case with Welded Tri Clamp Ports Standard Machined Finish Electro-Polish Finish 0.5 Micron & Electro-Polish Finish	62 Size 64 Size 62 Size 64 Size 62 Size 64 Size	56623-1000 56643-1000 56623-1090 56643-1090 56623-1010 56643-1010	1
Note: For rotor cases with different port types please contact Jabsco				
52	Screw - Rotor Case	62 Size 64 Size	X3007-256F X3007-260F	4
57	High Pressure (316L SS) - Standard Machined High Pressure (316L SS) - Electro-Polish High Pressure (316L SS) - 0.5 Micron & Electro-Polish High Efficiency (316L SS) - Standard Machined High Efficiency (316L SS) - Electro-Polish High Efficiency (316L SS) - 0.5 Micron & Electro-Polish	62 Size 64 Size 62 Size 64 Size 62 Size 64 Size 62 Size 62 Size 62 Size	56622-1009B 56642-1009B 56622-1099B 56642-1099B 56622-1019B 56642-1019B 56622-1008B 56622-1098B 56622-1018B	1
60	Shaft Guard (Not Shown on Exploded View)	62 & 64 Size	24068-0002	2
61	Shaft Guard Stud (Not Shown on Exploded View)	62 & 64 Size	24069-0003	2
62	Shaft Guard Nut (Not Shown on Exploded View)	62 & 64 Size	X3070-061F	2
121	Gasket - End Cover - EPDM - Viton - PTFE	62 & 64 Size	55673-0007 55673-0004 55673-0002	1
121a	O-Ring - Barrier (secondary)	62 & 64 Size	92000-1421	
122	End Cover - Controlled Compression Joint (Gasket) Standard Machined Finish Electro-Polish Finish 0.5 Micron & Electro-Polish Finish End Cover - Controlled Compression Joint + Barrier Standard Machined Finish Electro-Polish Finish 0.5 Micron & Electro-Polish Finish	62 & 64 Size	55609-0000 55609-0090 55609-0010 55609-0005 55609-0095 55609-0015	1
123	Bolt - End Cover	62 & 64 Size	X3001-244F	8

6 Size Pumps

Single Mechanical Seal



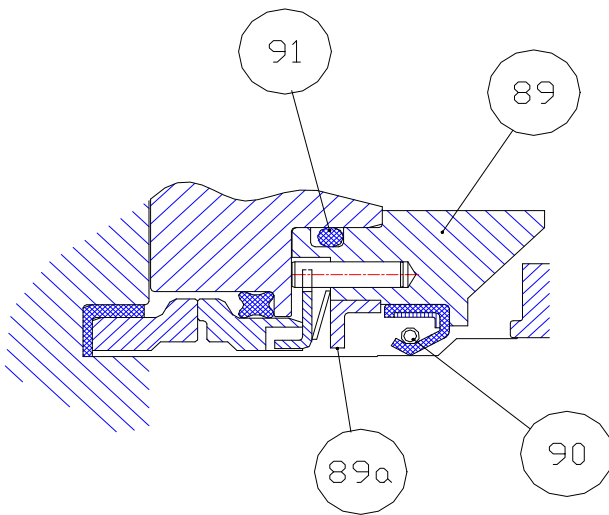
Key No.	Description	Where used	Part No.	Qty Req.
80	Primary Seal Face Kit (Includes both faces) - Carbon/Stainless Steel - Carbon/Silicon Carbide - Silicon Carbide/Silicon Carbide	62 & 64 Size	96080-0608 96080-0570 96080-0571	2
81	Drive Plate - Mechanical Seal	62 & 64 Size	X5240-002	2
82	Wave Spring	62 & 64 Size	X5250-015	2
83	Single Seal Trim Kit - EPDM - Viton - PTFE	62 & 64 Size	96080-0572 96080-0578 Use 83a, 83b & 83c	2
83a	Washer under Seal Rotary Face (fitted to rotor) - Viton	62 & 64 Size	54020-0006	2
83b	PTFE Sleeve (fitted to rotor)	62 & 64 Size	54613-0000	2
83c	PTFE Encapsulated O-Ring	62 & 64 Size	92000-6025	2
84	Clamp Plate - Seal Housing	62 & 64 Size	56011-0000	4
85	Screw - Seal Housing	62 & 64 Size	X3001-209F	4
86	Seal Housing Kit (Includes wave spring)	62 & 64 Size	96080-0573	2

Seal Service Kit				1
Carbon/Stainless	- EPDM - Viton - PTFE		56699-0002 56699-0003 56699-0004	
Carbon/Silicon Carbide	- EPDM - Viton - PTFE		56699-0006 56699-0007 56699-0008	
Silicon Carbide/Silicon Carbide	- EPDM - Viton - PTFE		56699-0010 56699-0011 56699-0012	

Consists of: 2 x Primary seal face kit, 2 x single seal trim kit, 2 x Seal housing kit, & 2 x O-Ring - Shim retention, 1 x end cover gasket

6 Size Pumps

Flush for Single Mechanical Seals



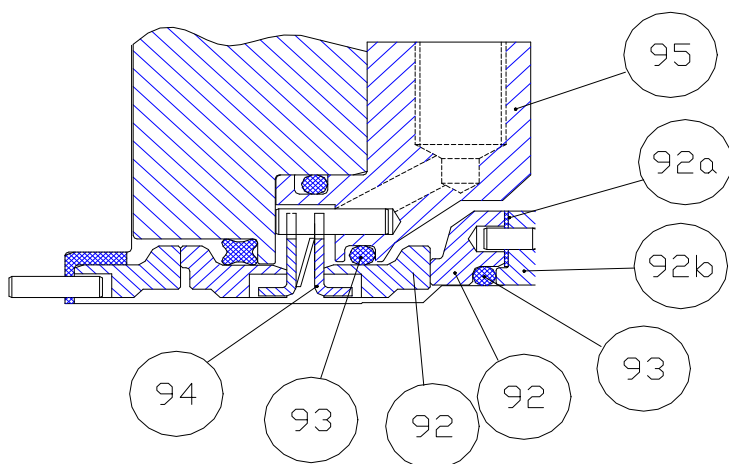
Key No.	Description	Where used	Part No.	Qty Req.
89	Seal Housing Kit	62 & 64 Size	96080-0574	2
89a	Washer	Supplied as part of Seal Housing Kit		
90	Lip Seal - Seal Housing (Nitrile)	62 & 64 Size	92701-1022	2
91	O-Ring - Seal Housing (Nitrile)	62 & 64 Size	92000-1454	2

Seal housing kit consists of:
 1 x wave spring, 1 x drive ring, 1 x o-ring (3), 1 x flush housing, 1 x washer (1a), 3 x pin.

	Flushed Seal Conversion Kit - Nitrile Consists of: 2 x Seal Housing Kit, 2 x Lip Seal		54699-0025	1
--	---	--	------------	---

6 Size Pumps

Double Mechanical Seal Conversion Kit



Key No.	Description	Where used	Part No.	Qty Req.
92	Secondary Seal Face Kit - Carbon/Silicon Carbide	62 & 64 Size	96080-0576	2
92a	Rubber Washer - EPDM	Supplied as part of Secondary Seal Face Kit		
92b	Drive Ring	Supplied as part of Secondary Seal Face Kit		
93	Secondary Seal Trim Kit - EPDM - Viton	62 & 64 Size	96080-0577 96080-0580	2
94	Drive Plate - Mechanical Seal Secondary	62 & 64 Size	x5240-002	2
95	Seal Housing Kit	62 & 64 Size	96080-0575	2

Secondary Seal Face Kit Consists of:
1 x Face inboard & seat outboard, 1 x Rotary seal face (outboard), 1 x gasket, 1 x drive ring, 1 x pin

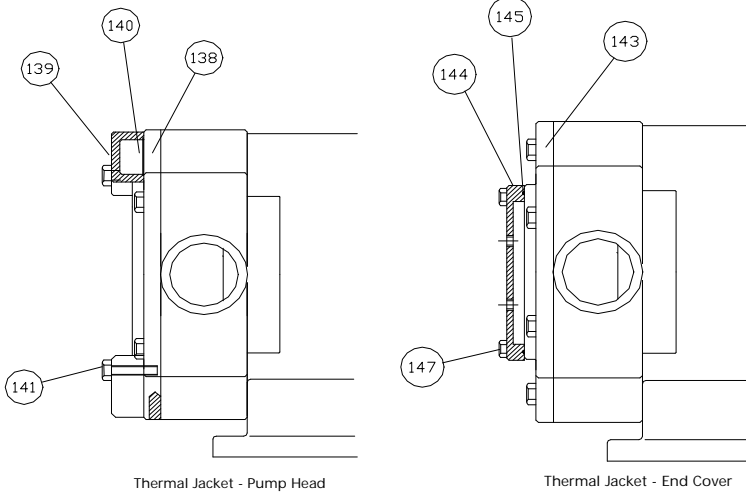
Secondary Seal Trim Kit Consists of:
1 x O-ring (2.62x33), 1 x O-ring (2.62x28.25), 1 x O-ring (2.62x50.47)

Seal Housing Kit Consists of:
1 x Wave spring, 2 x Drive ring, 1 x Double flush housing, 3 x Pins

	Double Mechanical Seal Conversion Kit Consists of: 2 x Secondary Seal Face Kit. 2 x Secondary Seal Trim Kit, 2 x Drive Plate Mechanical Seal, 2 x Seal Housing Kit		54699-0030	1
--	---	--	------------	---

6 Size Pumps

Thermal Jackets



Key No.	Description	Where used	Part No.	Qty Req.	
Thermal Jacket - Pump Head					
138	End Cover	62 & 64 Size	56609-0003	1	
139	Jacket	62 & 64 Size	54601-0001	2	
140	O-Ring	62 & 64 Size	X4020-374B	2	
141	Screws	62 & 64 Size	X3001-244F	4	

Pump Head Jacket Kit (Includes all of the components above)		62 & 64 Size	56680-0003B	1	
---	--	--------------	-------------	---	--

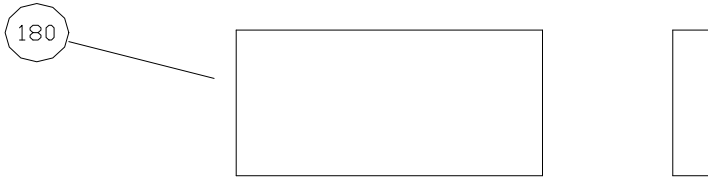
Thermal Jacket - End Cover					
143	End Cover	62 & 64 Size	56609-0004	1	
144	Jacket	62 & 64 Size	54679-0000	1	
145	O-Ring - Outer	62 & 64 Size	X4020-429B	1	
147	Screws	62 & 64 Size	X3001-211F	2	

End Cover Jacket Kit (Includes all of the components above)		62 & 64 Size	56680-0004B	1	
---	--	--------------	-------------	---	--

6 Size Pumps



Tools



Key No.	Description	Where used	Part No.	Qty Req.	
182	Tool - Seal Seat Removal	62 & 64 Size	54677-0000	1	
180	Tool - Rotor Locking Pad	62 & 64 Size	55027-0004	1	