

Spare Parts List

6 Size Pumps

Hy~Line

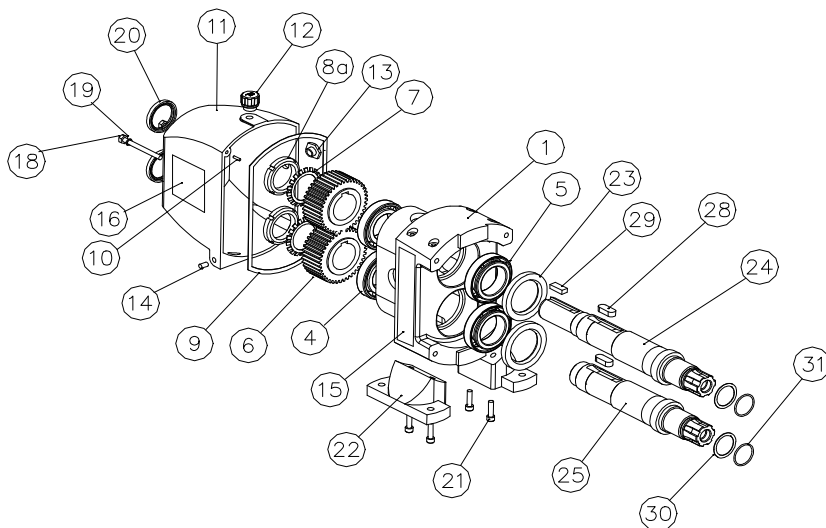


Contents

Page 1	-	Gearbox & Bearing Housing
Page 2	-	Wet End - Rotor Case & Rotors (Part 1)
Page 3	-	Wet End - Rotor Case & Rotors (Part 2)
Page 4	-	Ports
Page 5	-	Single Mechanical Seal
Page 6	-	Flush For Single Mechanical Seal
Page 7	-	Double Mechanical Seal Conversion Kit
Page 8	-	Single O-Ring Seal
Page 9	-	Double O-Ring Seal
Page 10	-	Relief Valves
Page 11	-	Thermal Jackets
Page 12	-	Tools

6 Size Pumps

Gearbox & Bearing Housing

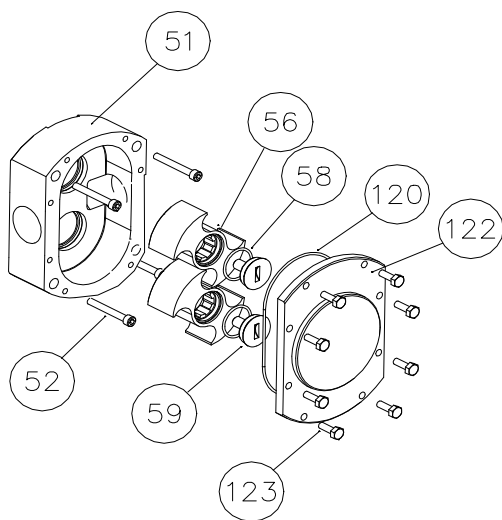


Key No.	Description	Where used	Part No.	Qty Req.
1	Bearing carrier Housing - Aluminium	62 & 64 Size	54605-0000	1
2	Eye Bolt	62 & 64 Size	SP7040-0011	1
3	Washer - Eye Bolt	62 & 64 Size	X5268-002	1
4	Bearing Rear	62 & 64 Size	92601-0473	2
5	Bearing Front	62 & 64 Size	SP2601-0502	2
6	Timing Gear Set (2 gears per set)	62 & 64 Size	55608-0000	1
7	Tab Washer - Gear Nut	62 & 64 Size	98022-2351	2
8a	Gear Nut	62 & 64 Size	98022-2350	2
9	Gasket Gear Cover	62 & 64 Size	55607-0001	1
10	Roll Pin - Bearing Carrier Housing	62 & 64 Size	SP3100-0225	2
11	Gear Cover - Aluminium	62 & 64 Size	54606-0000	1
12	Plug - Oil Filler/Breather	62 & 64 Size	24020-0002	1
13	Oil Level Window	62 & 64 Size	SP8022-2248	1
14	Drain Plug	62 & 64 Size	SP2650-0220	1
15	Label - Hy~Line	62 & 64 Size	23005-1820	1
16	Label - Rotary Lobe Pump	62 & 64 Size	23005-1822	1
18	Screw - Gear Cover	62 & 64 Size	X3001-227F	2
19	Washer (Nylon) - Gear Cover	62 & 64 Size	SP1613-1390	2
20	Lip Seal - Rear Gear Cover	62 & 64 Size	SP2701-0904	2
21	Screws - Foot Mounting	62 & 64 Size	X3007-213F	4
22	Foot - Vertical Ports (Stainless steel)	62 & 64 Size	54619-0000	2
23	Lip Seal - Front Bearing Carrier Housing	62 & 64 Size	92701-1026	2
24	Shaft - Driving	62 Size 64 Size	54627-0000 54647-0000	1
25	Shaft - Driven	62 Size 64 Size	54628-0000 54648-0000	1
28	Key - Timing Gear Drive	62 & 64 Size	X4000-544A	2
29	Key - Drive Shaft	62 & 64 Size	X4000-549A	1
30	Shim Kit - Rotor Clearance	62 & 64 Size	54686-0000B	1
31	O-Ring - Shim Retention - Nitrile	62 & 64 Size	X1990-96	2

	Gearbox Service Kit Consists of: 2 x Front Oil Seal for bearing housing 2 x Rear Oil Seal for gear cover 1 x Gasket - Gear cover 2 x Washer for sealing gear cover screws	62 & 64 Size	54685-0000B	1
--	--	--------------	-------------	---

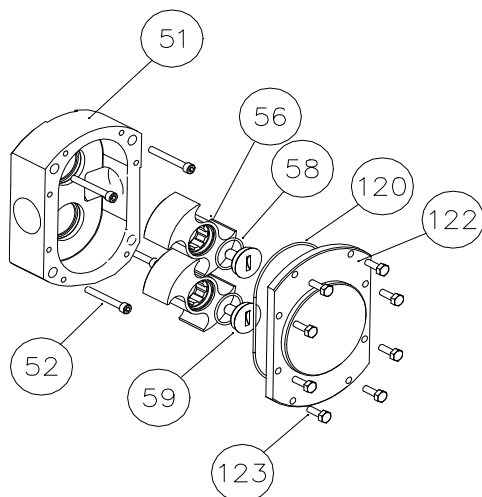
6 Size Pumps

Wet End - Part 1
Rotor Case & Rotors

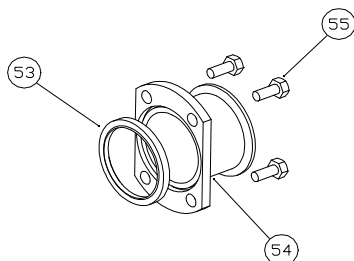


Key No.	Description	Where used	Part No.	Qty Req.
51	Rotor Case			1
	For Bolt on Ports (All Mech Seals)			
	Standard Machined Finish	62 Size	54623-0000	
		64 Size	54643-0000	
	Electro-Polish Finish	62 Size	54623-0090	
		64 Size	54643-0090	
	0.5 Micron & Electro-Polish Finish	62 Size	54623-0010	
		64 Size	54643-0010	
	For Bolt on Ports + Double O-Ring Seal			
	Standard Machined Finish	62 Size	54623-0002	
		64 Size	54643-0002	
	Electro-Polish Finish	62 Size	54623-0092	
		64 Size	54643-0092	
	0.5 Micron & Electro-Polish Finish	62 Size	54623-0012	
		64 Size	54643-0012	
	For Bolt on Ports + Hopper Inlet (All mech seals)			
	Standard Machined Finish	62 Size	54623-0001	
		64 Size	54643-0001	
	Electro-Polish Finish	62 Size	54623-0091	
		64 Size	54643-0091	
	0.5 Micron & Electro-Polish Finish	62 Size	54623-0011	
		64 Size	54643-0011	
	For Bolt on Ports + Hopper Inlet + Double O-Ring Seal			
	Standard Machined Finish	62 Size	54623-0003	
	64 Size	54643-0003		
Electro-Polish Finish	62 Size	54623-0093		
	64 Size	54643-0093		
0.5 Micron & Electro-Polish Finish	62 Size	54623-0013		
	64 Size	54643-0013		
For Welded Tri Clamp Ports				
Standard Machined Finish	62 Size	56623-1000		
	64 Size	56643-1000		
Electro-Polish Finish	62 Size	56623-1090		
	64 Size	56643-1090		
0.5 Micron & Electro-Polish Finish	62 Size	56623-1010		
	64 Size	56643-1010		
52	Screw - Rotor Case	62 Size	X3007-256F	4
		64 Size	X3007-260F	

6 Size Pumps

Wet End - Part 2
Rotor Case & Rotors

Key No.	Description	Where used	Part No.	Qty Req.
56	Rotor Kit (Includes 2 x rotors) High Pressure (316 SS) - Standard Machined High Pressure (316 SS) - Electro-Polish High Pressure (316 SS) - 0.5 Micron & Electro-Polish High Efficiency (316 SS) - Standard Machined High Efficiency (316 SS) - Electro-Polish High Efficiency (316 SS) - 0.5 Micron & Electro-Polish High Pressure (316L SS) - Standard Machined High Pressure (316L SS) - Electro-Polish High Pressure (316L SS) - 0.5 Micron & Electro-Polish High Efficiency (316L SS) - Standard Machined High Efficiency (316L SS) - Electro-Polish High Efficiency (316L SS) - 0.5 Micron & Electro-Polish	62 Size 64 Size 62 Size 64 Size 62 Size 64 Size 62 Size 62 Size 62 Size 62 Size 64 Size 62 Size 64 Size 62 Size 64 Size 62 Size 62 Size 62 Size	54622-0009B 54642-0009B 54622-0099B 54642-0099B 54662-0019B 54642-0019B 54622-0008B 56622-0098B 54622-0018B 54622-L-0009B 54642-L-0009B 54622-L-0099B 54642-L-0099B 54662-L-0019B 54642-L-0019B 54622-L-0008B 54622-L-0098B 54662-L0018B	1
58	O-Ring - Rotor Retainer - Nitrile - EPDM - Viton - PTFE	62 & 64 Size	92000-1431 X5251-011 92000-1445 92000-1446	2
59	Rotor Retaining Screw	62 & 64 Size	54626-0000	2
60	Shaft Guard (Not Shown on Exploded View)	62 & 64 Size	24068-0002	2
61	Shaft Guard Stud (Not Shown on Exploded View)	62 & 64 Size	24069-0003	2
62	Shaft Guard Nut (Not Shown on Exploded View)	62 & 64 Size	X3070-061F	2
120	O-Ring - End Cover - Nitrile - EPDM - Viton - PTFE	62 & 64 Size	92000-1443 92000-1437 92000-1436 92000-6028	1
122	End Cover - Plain O-Ring Joint 316 SS Standard Machined Finish Electro-Polish Finish 0.5 Micron & Electro-Polish Finish End Cover - Controlled Compression Joint (Gasket) Standard Machined Finish Electro-Polish Finish 0.5 Micron & Electro-Polish Finish	62 & 64 Size	54609-0000 54609-0090 54609-0010 55609-0000 55609-0090 55609-0010	1
123	Bolt - End Cover	62 & 64 Size	X3001-244F	8



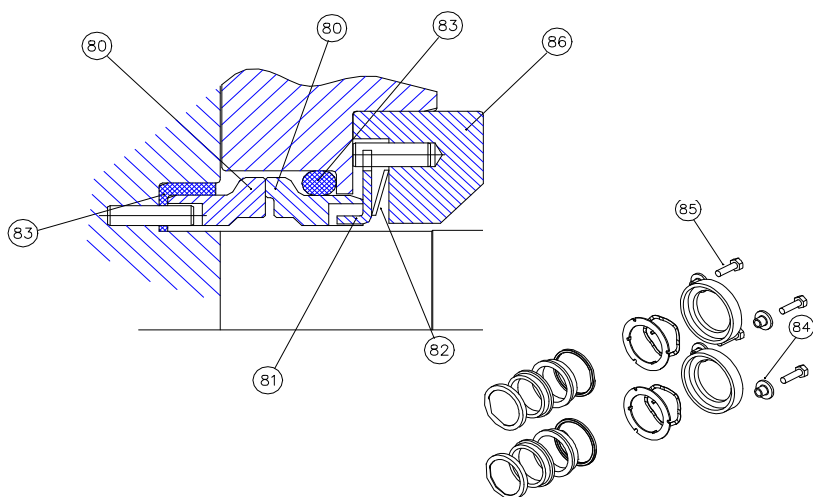
6 Size Pumps

Ports

Key No.	Description	Where used	Part No.	Qty Req.
53	Port Joint Ring - Nitrile - EPDM - Viton - PTFE	62 Size	54058-0250	2
		64 Size	54058-0300	
		62 Size	54058-0257	
		64 Size	24058-0307	
		62 Size	54058-0254	
		64 Size	54058-0304	
		62 Size	54058-0252	
		64 Size	24058-0302	
55	Screw - Bolt on Port Retainers	62 & 64 Size	X3001-244F	8
54	Port Kit (Includes 2 x Ports & 2 x Port Joint Rings (Nitrile)) Tri - Clamp (BS4825 part 3) - Standard Tri - Clamp (BS4825 part 3) - Enlarged Tri - Clamp (BS4825 part 3) - Reduced BSP (BS2779) - Standard BSP (BS2779) - Enlarged BSP (BS2779) - Reduced IDF (ISO 2853) - Standard IDF (ISO 2853) - Enlarged IDF (ISO 2853) - Reduced RJT (BS1864) - Standard RJT (BS1864) - Enlarged RJT (BS1864) - Reduced 3A ACME (BS3581) - Standard 3A ACME (BS3581) - Enlarged 3A ACME (BS3581) - Reduced DIN 11851 - Standard DIN 11851 - Enlarged DIN 11851 - Reduced SMS 1146 - Standard SMS 1146 - Enlarged SMS 1146 - Reduced NPT - Standard NPT - Enlarged NPT - Reduced	62 Size	54056-1250B	1
		64 Size	24055-1300B	
		62 Size	54256-1300B	
		64 Size	24255-1400B	
		62 Size	54156-1200B	
		62 Size	54056-2250B	
		64 Size	24055-2300B	
		62 Size	54256-2300B	
		64 Size	24255-2400B	
		62 Size	54156-2200B	
		62 Size	54056-3250B	
		64 Size	24055-3300B	
		62 Size	54256-3300B	
		64 Size	24255-3400B	
		62 Size	54156-3200B	
		62 Size	54056-4250B	
		64 Size	24055-4300B	
		62 Size	54256-4300B	
		64 Size	24255-4400B	
		62 Size	54156-4200B	
		62 Size	54056-5250B	
		64 Size	24055-5300B	
		62 Size	54256-5300B	
		64 Size	24255-5400B	
		62 Size	54156-5200B	
		62 Size	54056-6250B	
		64 Size	24055-6300B	
		62 Size	54256-6300B	
		64 Size	24255-6400B	
		62 Size	54156-6200B	
		62 Size	54056-7250B	
		64 Size	24055-7300B	
62 Size	54256-7300B			
64 Size	24255-7400B			
62 Size	54156-7200B			
62 Size	54056-9250B			
64 Size	24055-9300B			
62 Size	54256-9300B			
64 Size	24255-9400B			
62 Size	54156-9200B			

6 Size Pumps

Single Mechanical Seal



Key No.	Description	Where used	Part No.	Qty Req.
80	Primary Seal Face Kit (Includes both faces) - Carbon/Stainless Steel - Carbon/Silicon Carbide - Silicon Carbide/Silicon Carbide	62 & 64 Size	96080-0608 96080-0570 96080-0571	2
81	Drive Plate - Mechanical Seal	62 & 64 Size	X5240-002	2
82	Wave Spring	62 & 64 Size	X5250-015	2
83	Single Seal Trim Kit - Nitrile - EPDM - Viton - PTFE	62 & 64 Size	96080-0611 96080-0572 96080-0578 Use 83a, 83b & 83c	2
83a	Washer under Seal Rotary Face (fitted to rotor) - Viton	62 & 64 Size	54020-0006	2
83b	PTFE Sleeve (fitted to rotor)	62 & 64 Size	54613-0000	2
83c	PTFE Encapsulated O-Ring	62 & 64 Size	92000-6025	2
84	Clamp Plate - Seal Housing	62 & 64 Size	56011-0000	4
85	Screw - Seal Housing	62 & 64 Size	X3001-209F	4
86	Seal Housing Kit (Includes wave spring)	62 & 64 Size	96080-0573	2

	Pump Head Trim Kit - Nitrile - EPDM - Viton - PTFE	62 Size 64 Size 62 Size 64 Size 62 Size 64 Size 62 Size 64 Size	54684-9250B 54684-9300B 54684-9257B 54684-9307B 54684-9254B 54684-9304B 54684-9252B 54684-9302	1
--	--	--	---	---

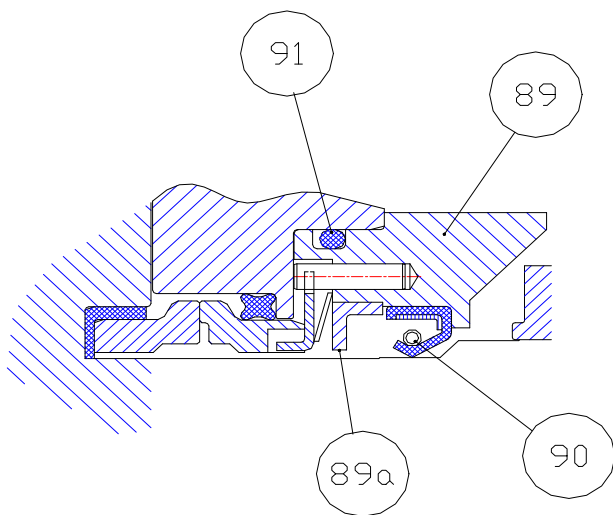
Consists of: 2 x Single seal trim kit (83), 2 x O-Ring rotor retainer (58), 1 x End cover o-ring (120), 2 x Port seals (53)
2 x O-Ring - Shim retention (31)

	Seal Service Kit	62 Size	64 Size	1
	Carbon/Stainless - Nitrile - EPDM - Viton - PTFE	54699-0001 54699-0003 54699-0005 54699-0007	54699-0002 54699-0004 54699-0006 54699-0008	
	Carbon/Silicon Carbide - Nitrile - EPDM - Viton - PTFE	54699-0009 54699-0011 54699-0013 54699-0015	54699-0010 54699-0012 54699-0014 54699-0016	
	Silicon Carbide/Silicon Carbide - Nitrile - EPDM - Viton - PTFE	54699-0017 54699-0019 54699-0021 54699-0023	54699-0018 54699-0020 54699-0022 54699-0024	

Consists of: 2 x Primary seal face kit (80), 1 x Pump head trim kit, 2 x Seal housing kit (86), 1 x Shim kit (30)

6 Size Pumps

Flush for Single Mechanical Seals



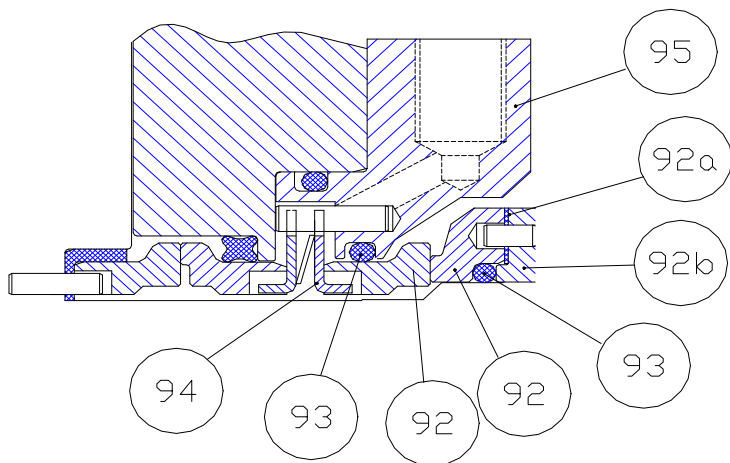
Key No.	Description	Where used	Part No.	Qty Req.
89	Seal Housing Kit	62 & 64 Size	96080-0574	2
89a	Washer	Supplied as part of Seal Housing Kit		
90	Lip Seal - Seal Housing (Nitrile)	62 & 64 Size	92701-1022	2
91	O-Ring - Seal Housing (Nitrile)	62 & 64 Size	92000-1454	2

Seal housing kit consists of:
 1 x wave spring, 1 x drive ring, 1 x o-ring (3), 1 x flush housing, 1 x washer (1a), 3 x pin.

	Flushed Seal Conversion Kit - Nitrile Consists of: 2 x Seal Housing Kit, 2 x Lip Seal		54699-0025	1
--	---	--	------------	---

6 Size Pumps

Double Mechanical Seal Conversion Kit



Key No.	Description	Where used	Part No.	Qty Req.
92	Secondary Seal Face Kit - Carbon/Silicon Carbide	62 & 64 Size	96080-0576	2
92a	Rubber Washer - EPDM	Supplied as part of Secondary Seal Face Kit		
92b	Drive Ring	Supplied as part of Secondary Seal Face Kit		
93	Secondary Seal Trim Kit - EPDM - Viton	62 & 64 Size	96080-0577 96080-0580	2
94	Drive Plate - Mechanical Seal Secondary	62 & 64 Size	x5240-002	2
95	Seal Housing Kit	62 & 64 Size	96080-0575	2

Secondary Seal Face Kit Consists of:
1 x Face inboard & seat outboard, 1 x Rotary seal face (outboard), 1 x gasket, 1 x drive ring, 1 x pin

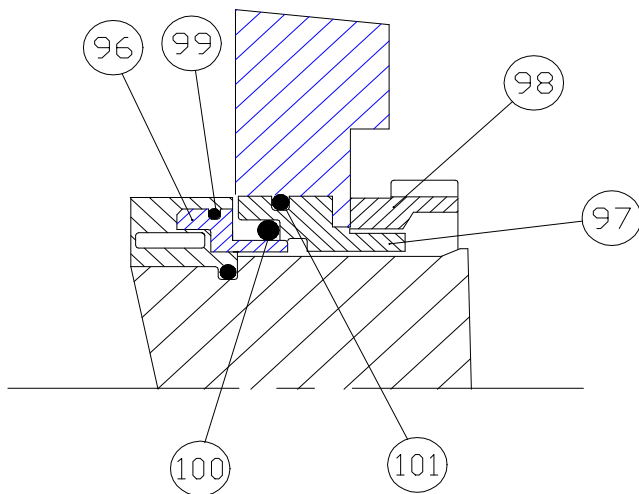
Secondary Seal Trim Kit Consists of:
1 x O-ring (2.62x33), 1 x O-ring (2.62x28.25), 1 x O-ring (2.62x50.47)

Seal Housing Kit Consists of:
1 x Wave spring, 2 x Drive ring, 1 x Double flush housing, 3 x Pins

	Double Mechanical Seal Conversion Kit Consists of: 2 x Secondary Seal Face Kit. 2 x Secondary Seal Trim Kit, 2 x Drive Plate Mechanical Seal, 2 x Seal Housing Kit		54699-0030	1
--	---	--	------------	---

6 Size Pumps

Single O-Ring Seal



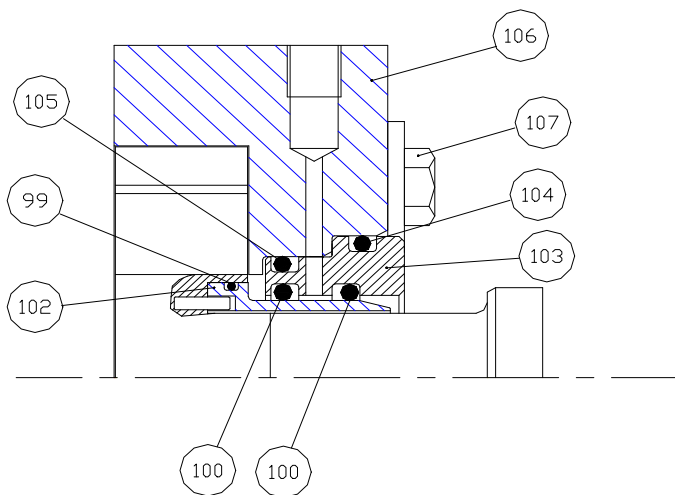
Key No.	Description	Where used	Part No.	Qty Req.
96	Seal Sleeve	62 & 64 Size	54653-0000	2
97	Seal Housing	62 & 64 Size	54652-0000	2
98	Retaining Nut	62 & 64 Size	54654-0000	2
99	O-Ring - Rotor (Nitrile)	62 & 64 Size	92000-6013	2
100	O-Ring - Primary Seal (Viton)	62 & 64 Size	SP2000-79	2
101	O-Ring - Seal Housing (Nitrile)	62 & 64 Size	92000-6012	2

	Single O-Ring Seal Kit Consists of:- 2 x Seal Sleeve, 2 x Seal Housing, 2 x Retaining Nut 2 x O-Ring Rotor (Nitrile), 2 x O-Ring Primary Seal (Viton), 2 x O-Ring Seal Housing (Nitrile)	62 & 64 Size	54651-0000	1
--	--	--------------	------------	---

	Single O-Ring Maintenance Seal Kit Nitrile EPDM Viton PTFE Consists of:- 1 x Single O-Ring Seal Kit, 1 x End Cover O-Ring, 2 x O-Ring Rotor Retainer, 2 x O-ring Shim Retention		54699-0040 54699-0041 54699-0042 54699-0043	1
--	--	--	--	---

6 Size Pumps

Double O-Ring Seal



Key No.	Description	Where used	Part No.	Qty Req.
99	O-Ring - Rotor (Nitrile)	62 & 64 Size	92000-6013	2
100	O-Ring - Primary Seal (Viton)	62 & 64 Size	SP2000-79	4
102	Seal Sleeve	62 & 64 Size	54637-0000	2
103	Seal Housing	62 & 64 Size	54638-0000	2
104	O-Ring Housing Nitrile)	62 & 64 Size	92000-6038	4
105	O-Ring Flush Housing	62 & 64 Size	92000-1454	2
* 106	Housing - Flush	62 & 64 Size	54632-0000	2
107	Bolt Flush Housing	62 & 64 Size	X3001-211F	4

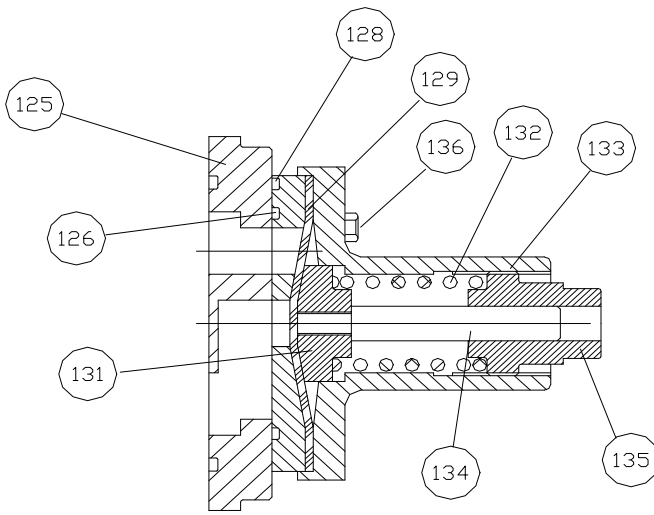
* Note: Rotor case may be different, Refer to JABSCO quoting pump serial number for information

Double O-Ring Seal Kit Consists of:- 1 x Rotor Case - Double O-Ring Seal (Bolt on Ports) 2 x O-Ring Rotor (Nitrile), 4 x O-Ring Primary seal (Viton) 2 x Seal Sleeve, 2 x Seal Housing, 4 x O-Ring housing (Nitrile) 2 x O-Ring Flush Housing (Nitrile), 2 x Flush Housing 4 x Bolt - Flush Housing	62 & 64 Size	54636-0000	1
---	--------------	------------	---

Double O-Ring Maintenance Seal Kit Consists of:- 1 x Double O-Ring Seal Kit, 1 x End Cover O-Ring, 2 x O-Ring Rotor Retainer, 2 x O-ring Shim Retention	Nitrile EPDM Viton PTFE	54699-0050 54699-0051 54699-0052 54699-0053	1
--	----------------------------------	--	---

6 Size Pumps

Relief Valve

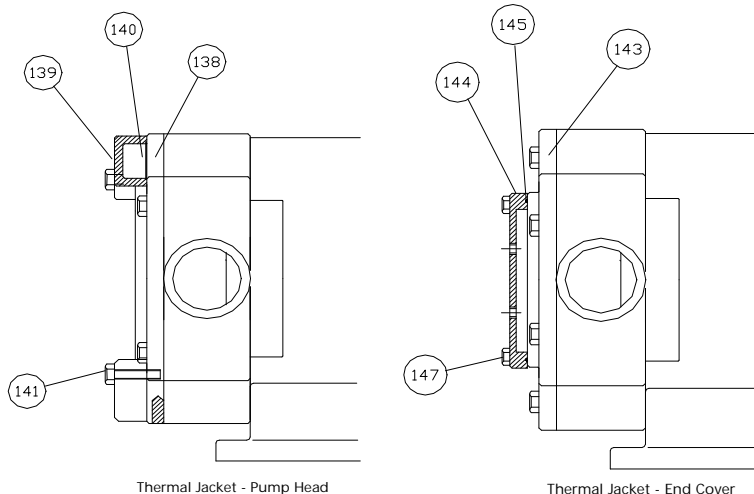


Key No.	Description	Where used	Part No.	Qty Req.
Relief Valve				
125	End Cover	62 & 64 Size	54609-0001	1
126	O-Ring - Relief Valve - Nitrile - PTFE - Viton	62 & 64 Size	X4020-424X X4020-424E X4020-424B	1
128	Seat - Relief valve	62 & 64 Size	24172-0001	1
129	Diaphragm - Relief Valve - Nitrile - PTFE	62 & 64 Size	54073-0022 24073-0012	1
131	Plunger	62 & 64 Size	24274-0000	1
132	Spring - Relief Valve	62 & 64 Size	24275-0000	1
133	Housing	62 & 64 Size	24276-0000	1
134	Valve Guide	62 & 64 Size	24277-0000	1
135	Adjusting Screw	62 & 64 Size	24278-0000	1
136	Bolt - Relief Valve	62 & 64 Size	X3001-217F	2

	Relief Valve Kit (includes all of the components above)	62 & 64 Size	54681-0001B	1
--	---	--------------	-------------	---

6 Size Pumps

Thermal Jackets



Key No.	Description	Where used	Part No.	Qty Req.
Thermal Jacket - Pump Head				
138	End Cover	62 & 64 Size	54609-0003	1
139	Jacket	62 & 64 Size	54601-0001	2
140	O-Ring	62 & 64 Size	X4020-374B	2
141	Screws	62 & 64 Size	X3001-244F	4

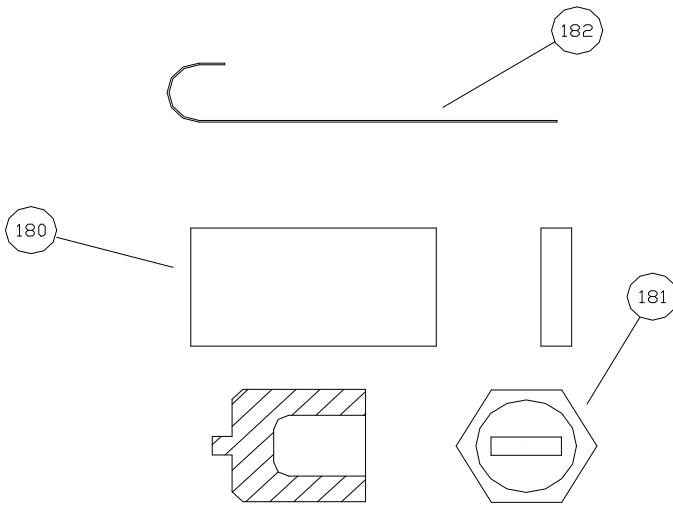
Pump Head Jacket Kit (Includes all of the components above)	62 & 64 Size	54680-0003B	1
---	--------------	-------------	---

Thermal Jacket - End Cover				
143	End Cover	62 & 64 Size	54609-0004	1
144	Jacket	62 & 64 Size	54679-0000	1
145	O-Ring - Outer	62 & 64 Size	X4020-429B	1
147	Screws	62 & 64 Size	X3001-211F	2

End Cover Jacket Kit (Includes all of the components above)	62 & 64 Size	54680-0004B	1
---	--------------	-------------	---

Relief Valve with Thermal Jacket - End Cover Consists of: 1 x End cover, 1 x O-Ring - valve, 1 x Seat - valve 1 x Diaphragm, 1 x Plunger, 1 x Spring, 1 x Housing 1 x Valve guide, 1 x Adjusting screw, 2 x bolts 2 x Jacket, 2 x O-ring & 4 x Screws	62 & 64 Size		1
--	--------------	--	---

6 Size Pumps



Tools

Key No.	Description	Where used	Part No.	Qty Req.
182	Tool - Seal Seat Removal	62 & 64 Size	54677-0000	1
180	Tool - Rotor Locking Pad	62 & 64 Size	55027-0004	1
181	Socket Tool - Rotor Retainer	62 & 64 Size	54676-0000	1