

Spare Parts List

5 Size Pumps

Ultima

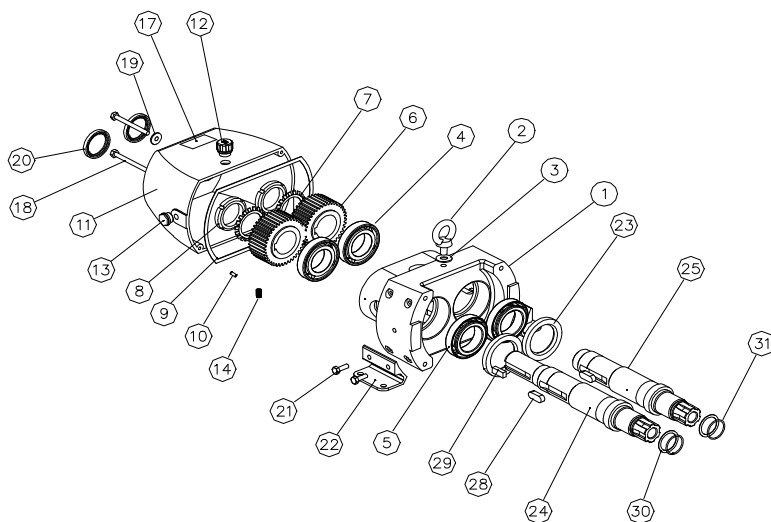


Contents

Page 1	-	Gearbox & Bearing Housing
Page 2	-	Wet End - Rotor Case & Rotors
Page 3	-	Single Mechanical Seal
Page 4	-	Flush For Single Mechanical Seal
Page 5	-	Double Mechanical Seal Conversion Kit
Page 6	-	Thermal Jackets
Page 7	-	Tools

5 Size Pumps

Gearbox & Bearing Housing

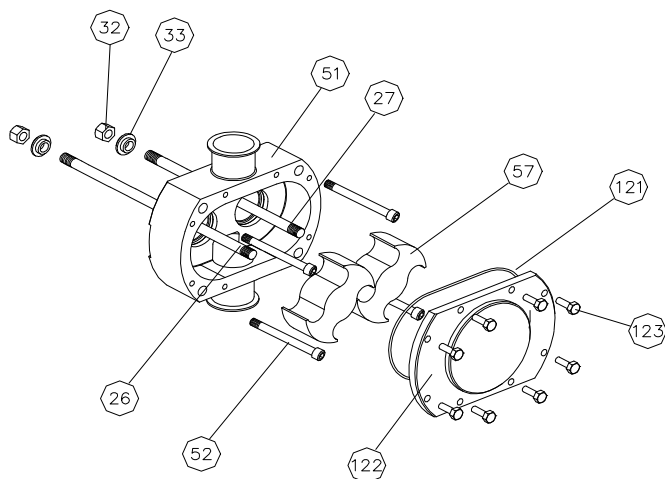


Key No.	Description	Where used	Part No.	Qty Req.
1	Bearing carrier Housing - Stainless Steel 304	52 & 54 Size	56503-0000	1
2	Eye Bolt	52 & 54 Size	SP7040-0013	1
3	Washer - Eye Bolt	52 & 54 Size	X5268-002	1
4	Bearing Rear	52 & 54 Size	92601-0483	2
5	Bearing Front	52 & 54 Size	92601-0483	2
6	Timing Gear Set (2 gears per set)	52 & 54 Size	54508-0000	1
7	Tab Washer - Gear Nut	52 & 54 Size	92601-0485	2
8	Gear Nut	52 & 54 Size	92601-0484	2
9	Gasket Gear Cover	52 & 54 Size	54507-0001	1
10	Roll Pin - Bearing Carrier Housing	52 & 54 Size	SP3100-0225	2
11	Gear Cover - Stainless Steel 304	52 & 54 Size	56506-0000	1
12	Plug - Oil Filler/Breather	52 & 54 Size	54020-0002	1
13	Oil Level Window	52 & 54 Size	SP8022-2248	1
14	Drain Plug	52 & 54 Size	SP2650-0220	1
17	Label - Ultima	52 & 54 Size	23005-1821	1
16	Label - Rotary Lobe Pump	52 & 54 Size	23005-1822	1
18	Screw - Gear Cover	52 & 54 Size	X3000-223F	2
19	Washer (Nylon) - Gear Cover	52 & 54 Size	SP1613-1390	2
20	Lip Seal - Rear Gear Cover	52 & 54 Size	X5280-011	2
21	Screws - Foot Mounting	52 & 54 Size	X3007-182F	4
22	Foot - Horizontal Ports (Stainless Steel) - Vertical Ports (Stainless steel)	52 & 54 Size	54518-0000 54519-0000	2
23	Lip Seal - Front Bearing Carrier Housing	52 & 54 Size	92701-1028	2
24	Shaft - Driving	52 Size 54 Size	56527-0000 56547-0000	1
25	Shaft - Driven	52 Size 54 Size	56528-0000 56548-0000	1
28	Key - Timing Gear Drive	52 & 54 Size	X4000-503A	2
29	Key - Drive Shaft	52 & 54 Size	X4000-528A	1
30	Shim Kit - Rotor Clearance	52 & 54 Size	54586-0000B	1
31	O-Ring - Shim Retention - Nitrile	52 & 54 Size	92000-1427	2

	Gearbox Service Kit Consists of: 2 x Front Oil Seal for bearing housing 2 x Rear Oil Seal for gear cover 1 x Gasket - Gear cover 2 x Washer for sealing gear cover screws	52 & 54 Size	54585-0000B	1
--	--	--------------	-------------	---

5 Size Pumps

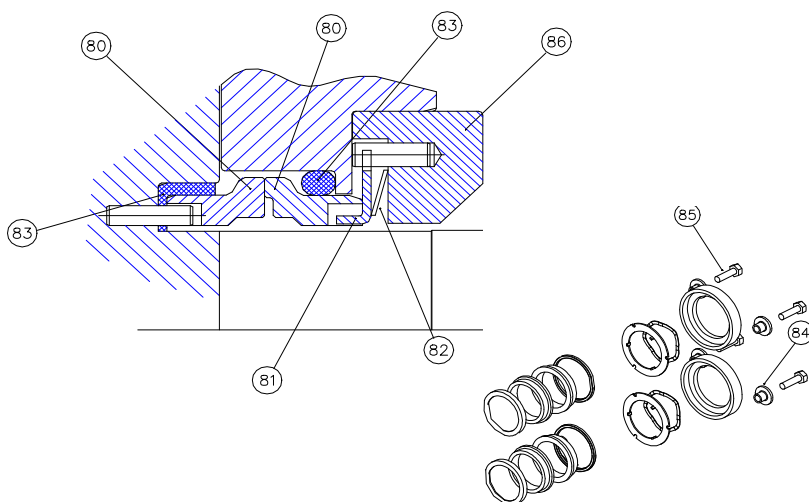
Wet End
Rotor Case & Rotors



Key No.	Description	Where used	Part No.	Qty Req.
26	Tie rod - drive shaft	52 Size 54 Size	56425-0000 56445-0000	1
27	Tie rod - driven shaft	52 Size 54 Size	56426-0000 56446-0000	1
32	Nut	52 & 54 Size	X3070-104F	2
33	Washer - Locking	52 & 54 Size	56432-0000	2
51	Rotor Case with Welded Tri Clamp Ports Standard Machined Finish Electro-Polish Finish 0.5 Micron & Electro-Polish Finish	52 Size 54 Size 52 Size 54 Size 52 Size 54 Size	56523-1000 56543-1000 56523-1090 56543-1090 56523-1010 56543-1010	1
Note: For rotor cases with different port types please contact Jabsco				
52	Screw - Rotor Case	52 Size 54 Size	X3007-222F X3007-227F	4
57	Rotor Kit (Includes 2 x rotors) High Pressure (316L SS) - Standard Machined High Pressure (316L SS) - Electro-Polish High Pressure (316L SS) - 0.5 Micron & Electro-Polish High Efficiency (316L SS) - Standard Machined High Efficiency (316L SS) - Electro-Polish High Efficiency (316L SS) - 0.5 Micron & Electro-Polish	52 Size 54 Size 52 Size 54 Size 52 Size 54 Size 52 Size 52 Size 52 Size	56522-1009B 56542-1009B 56522-1099B 56542-1099B 56522-1019B 56542-1019B 56522-1008B 56522-1098B 56522-1018B	
60	Shaft Guard (Not Shown on Exploded View)	52 & 54 Size	54530-0000	2
61	Shaft Guard Stud (Not Shown on Exploded View)	52 & 54 Size	54529-0000	2
62	Shaft Guard Nut (Not Shown on Exploded View)	52 & 54 Size	X3070-061F	2
121	Gasket - End Cover - EPDM - Viton - PTFE	52 & 54 Size	56573-0007 56573-0004 56573-0002	1
121a	O-Ring - Barrier (secondary)	52 & 54 Size	92000-6029	
122	End Cover - Controlled Compression Joint (Gasket) Standard Machined Finish Electro-Polish Finish 0.5 Micron & Electro-Polish Finish End Cover - Controlled Compression Joint + Barrier Standard Machined Finish Electro-Polish Finish 0.5 Micron & Electro-Polish Finish	52 & 54 Size	56509-0000 56509-0090 56509-0010 56509-0005 56509-0095 56509-0015	1
123	Bolt - End Cover	52 & 54 Size	X3001-211F	4

5 Size Pumps

Single Mechanical Seal



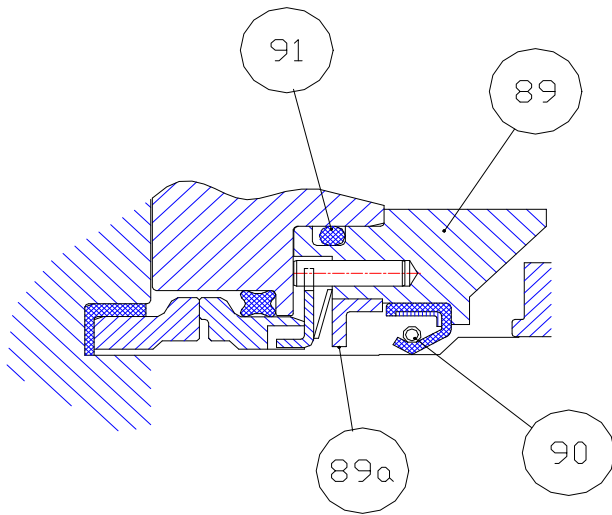
Key No.	Description	Where used	Part No.	Qty Req.
80	Primary Seal Face Kit (Includes both faces) - Carbon/Stainless Steel - Carbon/Silicon Carbide - Silicon Carbide/Silicon Carbide	52 & 54 Size	96080-0594 96080-0583 96080-0584	2
81	Drive Plate - Mechanical Seal	52 & 54 Size	X5240-003	2
82	Wave Spring	52 & 54 Size	X5250-016	2
83	Single Seal Trim Kit - EPDM - Viton - PTFE	52 & 54 Size	96080-0586 96080-0587 Use 83a, 83b & 83c	2
83a	Washer under Seal Rotary Face (fitted to rotor) - Viton	52 & 54 Size	54020-0005	2
83b	PTFE Sleeve (fitted to rotor)	52 & 54 Size	54511-0000	2
83c	PTFE Encapsulated O-Ring	52 & 54 Size	92000-6017	2
84	Clamp Plate - Seal Housing	52 & 54 Size	56011-0000	4
85	Screw - Seal Housing	52 & 54 Size	X3001-209F	4
86	Seal Housing Kit (Includes wave spring)	52 & 54 Size	96080-0588	2

Seal Service Kit				1
Carbon/Stainless	- EPDM - Viton - PTFE		56599-0002 56599-0003 56599-0004	
Carbon/Silicon Carbide	- EPDM - Viton - PTFE		56599-0006 56599-0007 56599-0008	
Silicon Carbide/Silicon Carbide	- EPDM - Viton - PTFE		56599-0010 56599-0011 56599-0012	

Consists of: 2 x Primary seal face kit, 2 x single seal trim kit, 2 x Seal housing kit, & 2 x O-Ring - Shim retention, 1 x end cover gasket

5 Size Pumps

Flush for Single Mechanical Seals



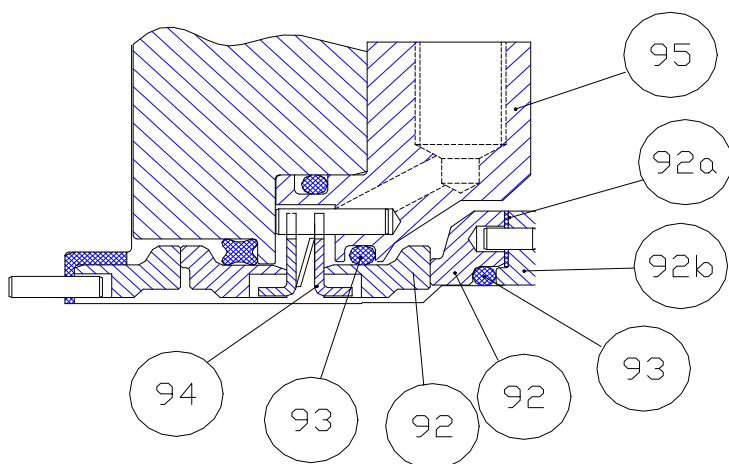
Key No.	Description	Where used	Part No.	Qty Req.
89	Seal Housing Kit	52 & 54 Size	96080-0590	2
89a	Washer	Supplied as part of Seal Housing Kit		
90	Lip Seal - Seal Housing (Nitrile)	52 & 54 Size	92701-1023	2
91	O-Ring - Seal Housing (Nitrile)	52 & 54 Size	92000-1453	2

Seal housing kit consists of:
 1 x wave spring, 1 x drive ring, 1 x o-ring (3), 1 x flush housing, 1 x washer (1a), 3 x pin.

	Flushed Seal Conversion Kit - Nitrile Consists of: 2 x Seal Housing Kit, 2 x Lip Seal		54599-0025	1
--	---	--	------------	---

5 Size Pumps

Double Mechanical Seal Conversion Kit



Key No.	Description	Where used	Part No.	Qty Req.
92	Secondary Seal Face Kit - Carbon/Silicon Carbide	52 & 54 Size	96080-0585	2
92a	Rubber Washer - EPDM	Supplied as part of Secondary Seal Face Kit		
92b	Drive Ring	Supplied as part of Secondary Seal Face Kit		
93	Secondary Seal Trim Kit - EPDM - Viton	52 & 54 Size	96080-0592 96080-0593	2
94	Drive Plate - Mechanical Seal Secondary	52 & 54 Size	X5240-003	2
95	Seal Housing Kit	52 & 54 Size	96080-0589	2

Secondary Seal Face Kit Consists of:
1 x Face inboard & seat outboard, 1 x Rotary seal face (outboard), 1 x gasket, 1 x drive ring, 1 x pin

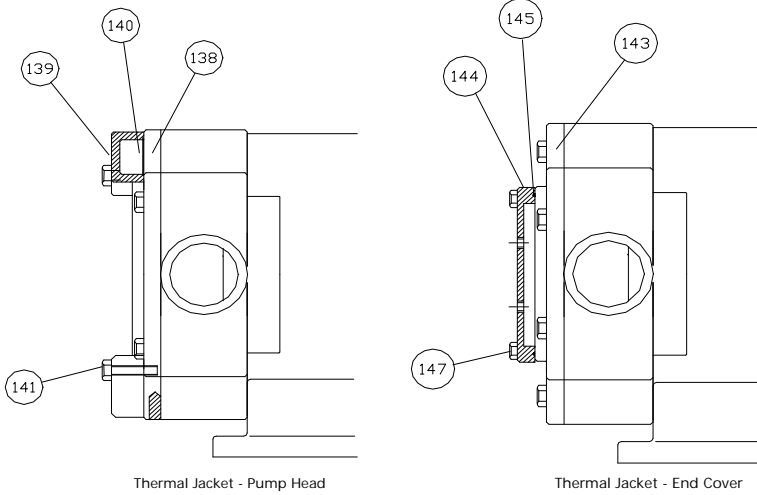
Secondary Seal Trim Kit Consists of:
1 x O-ring (2.62x33), 1 x O-ring (2.62x28.25), 1 x O-ring (2.62x50.47)

Seal Housing Kit Consists of:
1 x Wave spring, 2 x Drive ring, 1 x Double flush housing, 3 x Pins

	Double Mechanical Seal Conversion Kit Consists of: 2 x Secondary Seal Face Kit. 2 x Secondary Seal Trim Kit, 2 x Drive Plate Mechanical Seal, 2 x Seal Housing Kit		54599-0030	1
--	---	--	------------	---

5 Size Pumps

Thermal Jackets



Key No.	Description	Where used	Part No.	Qty Req.	
Thermal Jacket - Pump Head					
138	End Cover	52 & 54 Size	56509-0003	1	
139	Jacket	52 & 54 Size	54501-0001	2	
140	O-Ring	52 & 54 Size	X4020-369B	2	
141	Screws	52 & 54 Size	X3001-213F	4	

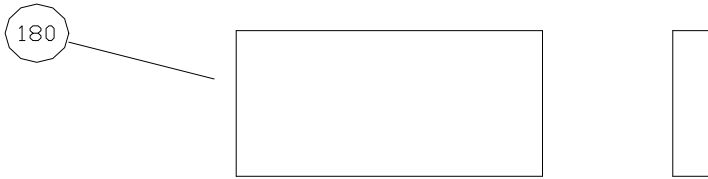
Pump Head Jacket Kit (Includes all of the components above)		52 & 54 Size	56580-0003B	1	
---	--	--------------	-------------	---	--

Thermal Jacket - End Cover					
143	End Cover	52 & 54 Size	56509-0004	1	
144	Jacket	52 & 54 Size	24636-0000	1	
145	O-Ring - Outer	52 & 54 Size	X4020-389B	1	
147	Screws	52 & 54 Size	X3001-209F	2	

End Cover Jacket Kit (Includes all of the components above)		52 & 54 Size	56580-0004B	1	
---	--	--------------	-------------	---	--



5 Size Pumps



Tools

Key No.	Description	Where used	Part No.	Qty Req.	
182	Tool - Seal Seat Removal	52 & 54 Size	54677-0000	1	
180	Tool - Rotor Locking Pad	52 & 54 Size	55027-0004	1	