

# Spare Parts List

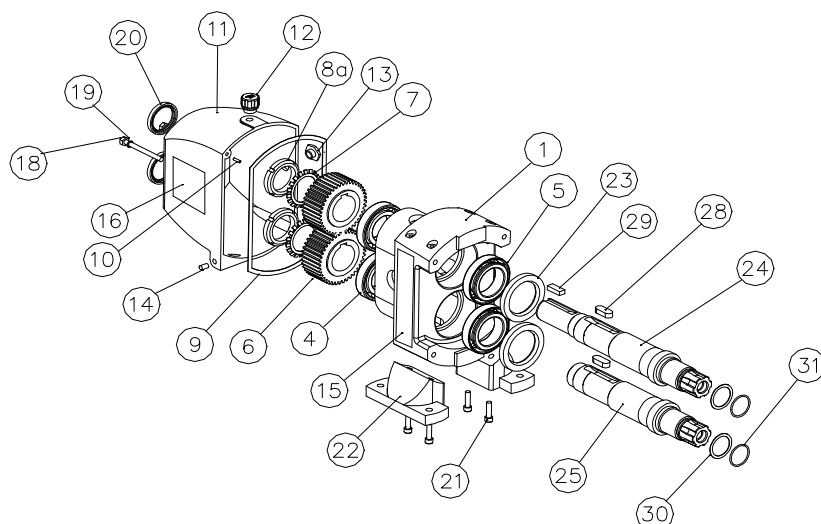
## 4 Size Pumps

Hy~Line



### Contents

Page 1	-	Gearbox & Bearing Housing
Page 2	-	Wet End - Rotor Case & Rotors (Part 1)
Page 3	-	Wet End - Rotor Case & Rotors (Part 2)
Page 4	-	Ports
Page 5	-	Single Mechanical Seal
Page 6	-	Flush For Single Mechanical Seal
Page 7	-	Double Mechanical Seal Conversion Kit
Page 8	-	Single O-Ring Seal
Page 9	-	Double O-Ring Seal
Page 10	-	Relief Valves
Page 11	-	Thermal Jackets
Page 12	-	Tools



## 4 Size Pumps

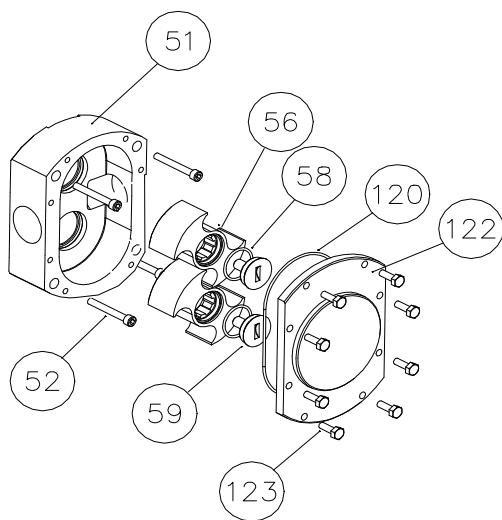
## Gearbox & Bearing Housing

Key No.	Description	Where used	Part No.	Qty Req.
1	Bearing carrier Housing - Aluminium	42 & 44 Size	54405-0000	1
4	Bearing Rear	42 & 44 Size	92601-0480	2
5	Bearing Front	42 & 44 Size	92601-0480	2
6	Timing Gear Set (2 gears per set)	42 & 44 Size	54408-0000	1
7	Tab Washer - Gear Nut	42 & 44 Size	92601-0482	2
8a	Gear Nut	42 & 44 Size	92601-0481	2
9	Gasket Gear Cover	42 & 44 Size	54407-0000	1
10	Roll Pin - Bearing Carrier Housing	42 & 44 Size	SP3100-0225	2
11	Gear Cover - Aluminium	42 & 44 Size	54406-0100	1
12	Plug - Oil Filler/Breather	42 & 44 Size	24020-0002	1
13	Oil Level Window	42 & 44 Size	SP8022-2248	1
14	Drain Plug	42 & 44 Size	SP2650-0220	1
15	Label - Hy~Line	42 & 44 Size	23005-1820	1
16	Label - Rotary Lobe Pump	42 & 44 Size	23005-1822	1
18	Screw - Gear Cover	42 & 44 Size	X3001-195F	2
19	Washer (Nylon) - Gear Cover	42 & 44 Size	SP1613-1389	2
20	Lip Seal - Rear Gear Cover	42 & 44 Size	SP2701-0903	2
21	Screws - Foot Mounting	42 & 44 Size	X3007-182F	4
22	Foot - Horizontal Ports (Aluminium) - Vertical Ports (Stainless steel)	42 & 44 Size	54418-0100 54419-0000	2
23	Lip Seal - Front Bearing Carrier Housing	42 & 44 Size	92701-1027	2
	Pump Serial no.s higher than (42 Size) 30199 (44 Size)30219 use	⇒	92701-1045	
24	Shaft - Driving	42 Size 44 Size	54427-0000 54447-0000	1
25	Shaft - Driven	42 Size 44 Size	54428-0000 54448-0000	1
28	Key - Timing Gear Drive	42 & 44 Size	X4000-461A	2
29	Key - Drive Shaft	42 & 44 Size	X4000-487A	1
30	Shim Kit - Rotor Clearance	42 & 44 Size	54486-0000B	1
31	O-Ring - Shim Retention - Nitrile	42 & 44 Size	92000-1422	2

	Gearbox Service Kit Consists of: 2 x Front Oil Seal for bearing housing (23) 2 x Rear Oil Seal for gear cover (20) 1 x Gasket - Gear cover (9) 2 x Washer for sealing gear cover screws (19)	42 & 44 Size	54485-0000B	1
--	---	--------------	-------------	---

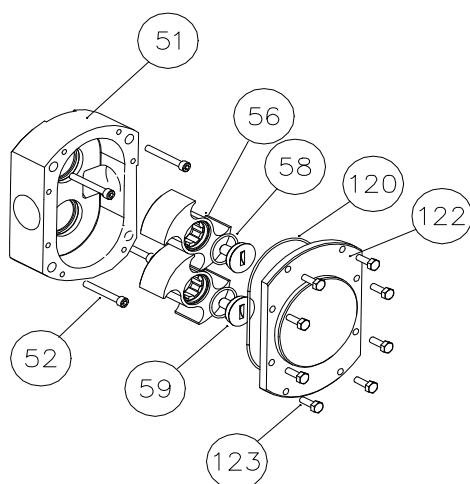
4 Size Pumps

Wet End - Part 1  
Rotor Case & Rotors



Key No.	Description	Where used	Part No.	Qty Req.
51	Rotor Case			1
	For Bolt on Ports (All Mech Seals)			
	Standard Machined Finish	42 Size	54423-0000	
		44 Size	54443-0000	
	Electro-Polish Finish	42 Size	54423-0090	
		44 Size	54443-0090	
	0.5 Micron & Electro-Polish Finish	42 Size	54423-0010	
		44 Size	54443-0010	
	For Bolt on Ports + Double O-Ring Seal			
	Standard Machined Finish	42 Size	54423-0002	
		44 Size	54443-0002	
	Electro-Polish Finish	42 Size	54423-0092	
		44 Size	54443-0092	
	0.5 Micron & Electro-Polish Finish	42 Size	54423-0012	
		44 Size	54443-0012	
	For Bolt on Ports + Hopper Inlet (All mech seals)			
	Standard Machined Finish	42 Size	54423-0001	
		44 Size	54443-0001	
	Electro-Polish Finish	42 Size	54423-0091	
		44 Size	54443-0091	
	0.5 Micron & Electro-Polish Finish	42 Size	54423-0011	
		44 Size	54443-0011	
	For Bolt on Ports + Hopper Inlet + Double O-Ring Seal			
	Standard Machined Finish	42 Size	54423-0003	
	44 Size	54443-0003		
Electro-Polish Finish	42 Size	54423-0093		
	44 Size	54443-0093		
0.5 Micron & Electro-Polish Finish	42 Size	54423-0013		
	44 Size	54443-0013		
For Welded Tri Clamp Ports				
Standard Machined Finish	42 Size	56423-1000		
	44 Size	56443-1000		
Electro-Polish Finish	42 Size	56423-1090		
	44 Size	56443-1090		
0.5 Micron & Electro-Polish Finish	42 Size	56423-1010		
	44 Size	56443-1010		
52	Screw - Rotor Case	42 Size	X3007-218F	4
		44 Size	X3007-222F	

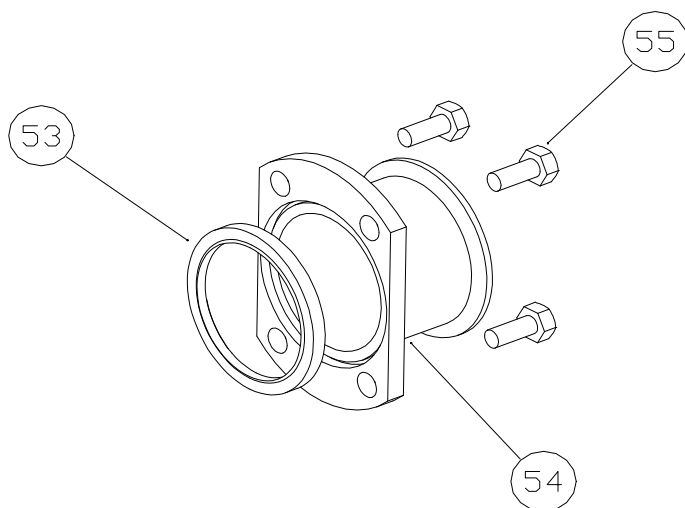
## 4 Size Pumps

Wet End - Part 2  
Rotor Case & Rotors

Key No.	Description	Where used	Part No.	Qty Req.
56	Rotor Kit (Includes 2 x rotors) High Pressure (316 SS) - Standard Machined High Pressure (316 SS) - Electro-Polish High Pressure (316 SS) - 0.5 Micron & Electro-Polish  High Efficiency (316 SS) - Standard Machined High Efficiency (316 SS) - Electro-Polish High Efficiency (316 SS) - 0.5 Micron & Electro-Polish  High Pressure (316L SS) - Standard Machined High Pressure (316L SS) - Electro-Polish High Pressure (316L SS) - 0.5 Micron & Electro-Polish  High Efficiency (316L SS) - Standard Machined High Efficiency (316L SS) - Electro-Polish High Efficiency (316L SS) - 0.5 Micron & Electro-Polish	42 Size 44 Size 42 Size 44 Size 42 Size 44 Size  42 Size 42 Size 42 Size  42 Size 44 Size 42 Size 44 Size 42 Size 44 Size  42 Size 42 Size 42 Size	54422-0009B 54442-0009B 54422-0099B 54442-0099B 54422-0019B 54442-0019B  54422-0008B 56422-0098B 56422-0018B  54422-L-0009B 54442-L-0009B 54422-L-0099B 54442-L-0099B 54422-L-0019B 54442-L-0019B  54422-L-0008B 54422-L-0098B 54422-L-0018B	1
58	O-Ring - Rotor Retainer - Nitrile - EPDM - Viton - PTFE	42 & 44 Size	92000-1423 92000-1452 92000-1450 92000-1451	2
59	Rotor Retaining Screw	42 & 44 Size	54425-0000	2
60	Shaft Guard (Not Shown on Exploded View)	42 & 44 Size	24068-0001	2
61	Shaft Guard Stud (Not Shown on Exploded View)	42 & 44 Size	24069-0002	2
62	Shaft Guard Nut (Not Shown on Exploded View)	42 & 44 Size	X3070-061F	2
120	O-Ring - End Cover - Nitrile - EPDM - Viton - PTFE	42 & 44 Size	92000-1441 92000-1440 92000-1442 92000-6027	1
122	End Cover - Plain O-Ring Joint 316 SS Standard Machined Finish Electro-Polish Finish 0.5 Micron & Electro-Polish Finish End Cover - Controlled Compression Joint (Gasket) Standard Machined Finish Electro-Polish Finish 0.5 Micron & Electro-Polish Finish	42 & 44 Size	54409-0000 54409-0090 54409-0010  56409-0000 56409-0090 56409-0010	1
123	Bolt - End Cover	42 & 44 Size	X3001-211F	4

4 Size Pumps

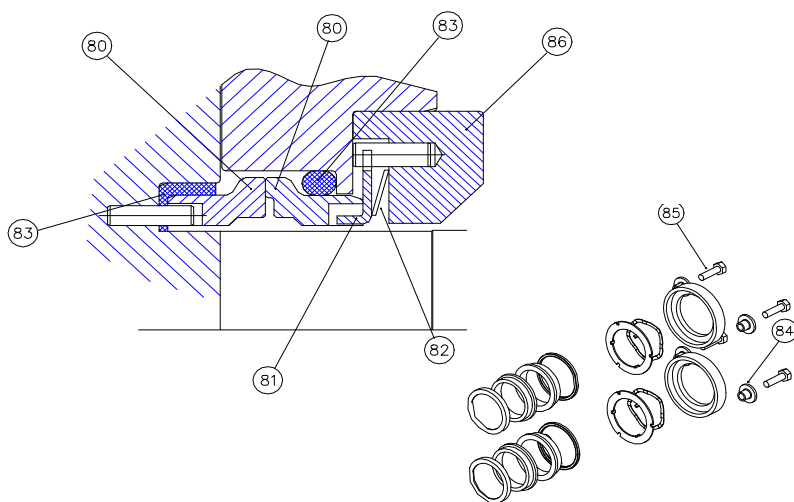
Ports



Key No.	Description	Where used	Part No.	Qty Req.
53	Port Joint Ring - Nitrile  - EPDM  - Viton  - PTFE	42 Size	54058-0100	2
		44 Size	54058-0150	
		42 Size	24058-0107	
		44 Size	24058-0157	
		42 Size	54058-0104	
		44 Size	54058-0154	
		42 Size	24058-0102	
		44 Size	24058-0152	
55	Screw - Bolt on Port Retainers	42 & 44 Size	X3001-207F	8
54	Port Kit (Includes 2 x Ports & 2 x Port Joint Rings (Nitrile)) Tri - Clamp (BS4825 part 3) - Standard  Tri - Clamp (BS4825 part 3) - Enlarged  BSP (BS2779) - Standard  BSP (BS2779) - Enlarged  IDF (ISO 2853) - Standard  IDF (ISO 2853) - Enlarged  RJT (BS1864) - Standard  RJT (BS1864) - Enlarged  3A ACME (BS3581) - Standard  3A ACME (BS3581) - Enlarged  DIN 11851 - Standard  DIN 11851 - Enlarged  SMS 1146 - Standard  SMS 1146 - Enlarged  NPT - Standard  NPT - Enlarged	42 Size	24055-1100B	1
		44 Size	24055-1150B	
		42 Size	24255-1150B	
		44 Size	24255-1200B	
		42 Size	<b>24055-2100B</b>	
		44 Size	24055-2150B	
		42 Size	24255-2150B	
		44 Size	24255-2200B	
		42 Size	24055-3100B	
		44 Size	24055-3150B	
		42 Size	24255-3150B	
		44 Size	24255-3200B	
		42 Size	24055-4100B	
		44 Size	24055-4150B	
		42 Size	24255-4150B	
		44 Size	24255-4200B	
		42 Size	24055-5100B	
		44 Size	24055-5150B	
		42 Size	24255-5150B	
		44 Size	24255-5200B	
		42 Size	24055-6100B	
		44 Size	24055-6150B	
		42 Size	24255-6150B	
		44 Size	24255-6200B	
		42 Size	24055-7100B	
		44 Size	24055-7150B	
		42 Size	24255-7150B	
		44 Size	24255-7200B	
42 Size	24055-9100B			
44 Size	24055-9150B			
42 Size	24255-9150B			
44 Size	24255-9200B			

4 Size Pumps

Single Mechanical Seal



Key No.	Description	Where used	Part No.	Qty Req.
80	Primary Seal Face Kit (Includes both faces) - Carbon/Stainless Steel - Carbon/Silicon Carbide - Silicon Carbide/Silicon Carbide	42 & 44 Size	96080-0606 96080-0595 96080-0597	2
81	Drive Plate - Mechanical Seal	42 & 44 Size	X5240-004	2
82	Wave Spring	42 & 44 Size	X5250-017	2
83	Single Seal Trim Kit - Nitrile - EPDM - Viton - PTFE	42 & 44 Size	96080-0615 96080-0598 96080-0601 Use 83a, 83b & 83c	2
83a	Washer under Seal Rotary Face (fitted to rotor) - Viton	42 & 44 Size	54020-0004	2
83b	PTFE Sleeve (fitted to rotor)	42 & 44 Size	54411-0000	2
83c	PTFE Encapsulated O-Ring	42 & 44 Size	92000-6024	2
84	Clamp Plate - Seal Housing	42 & 44 Size	56011-0000	4
85	Screw - Seal Housing	42 & 44 Size	X3001-209F	4
86	Seal Housing Kit (Includes wave spring)	42 & 44 Size	96080-0599	2

	Pump Head Trim Kit			1
	- Nitrile	42 Size	54484-9100B	
		44 Size	54484-9150B	
	- EPDM	42 Size	54484-9107B	
		44 Size	54484-9157B	
	- Viton	42 Size	54484-9104B	
		44 Size	54484-9154B	
	- PTFE	42 Size	54484-9102B	
		44 Size	54484-9152B	

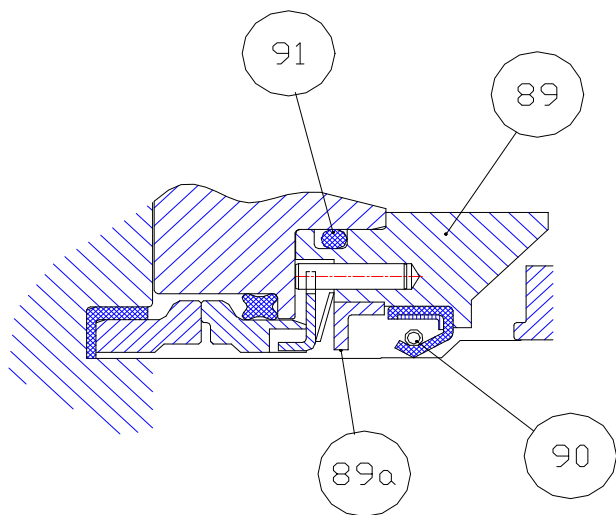
Consists of: 2 x Single seal trim kit (83), 2 x O-Ring rotor retainer (58), 1 x End cover o-ring (120), 2 x Port seals (53)  
2 x O-Ring shim retention (31)

	Seal Service Kit	<b>42 Size</b>	<b>44 Size</b>	1
	Carbon/Stainless	- Nitrile	54499-0001	54499-0002
		- EPDM	54499-0003	54499-0004
		- Viton	54499-0005	54499-0006
		- PTFE	54499-0007	54499-0008
	Carbon/Silicon Carbide	- Nitrile	54499-0009	54499-0010
		- EPDM	54499-0011	54499-0012
		- Viton	54499-0013	54499-0014
		- PTFE	54499-0015	54499-0016
	Silicon Carbide/Silicon Carbide	- Nitrile	54499-0017	54499-0018
		- EPDM	54499-0019	54499-0020
		- Viton	54499-0021	54499-0022
		- PTFE	54499-0023	54499-0024

Consists of: 2 x Primary seal face kit (80), 1 x Pump head trim kit, 2 x Seal housing kit (86), 1 x shim kit (30)

4 Size Pumps

Flush for Single Mechanical Seals



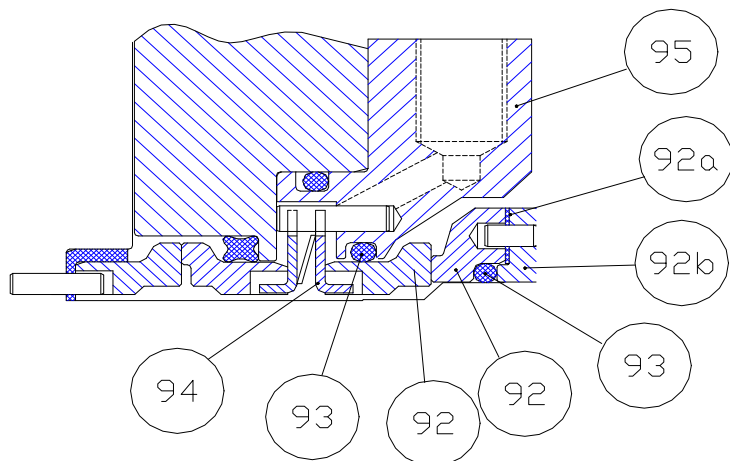
Key No.	Description	Where used	Part No.	Qty Req.
89	Seal Housing Kit	42 & 44 Size	96080-0604	2
89a	Washer	Supplied as part of Seal Housing Kit		
90	Lip Seal - Seal Housing (Nitrile)	42 & 44 Size	92701-1024	2
91	O-Ring - Seal Housing (Nitrile)	42 & 44 Size	92000-1455	2

Seal housing kit consists of:  
 1 x wave spring, 1 x drive ring, 1 x o-ring, 1 x flush housing, 1 x washer, 3 x pin.

	Flushed Seal Conversion Kit - Nitrile Consists of: 2 x Seal Housing Kit (89), 2 x Lip Seal (90)	42 & 44 Size	54499-0025	1
--	---	--------------	------------	---

4 Size Pumps

Double Mechanical Seal Conversion Kit



Key No.	Description	Where used	Part No.	Qty Req.
92	Secondary Seal Face Kit - Carbon/Silicon Carbide	42 & 44 Size	96080-0596	2
92a	Rubber Washer - EPDM	Supplied as part of Secondary Seal Face Kit		
92b	Drive Ring	Supplied as part of Secondary Seal Face Kit		
93	Secondary Seal Trim Kit - EPDM - Viton	42 & 44 Size	96080-0600	2
		42 & 44 Size	96080-0602	
94	Drive Plate - Mechanical Seal Secondary	42 & 44 Size	X5240-004	2
95	Seal Housing Kit	42 & 44 Size	96080-0603	2

Secondary Seal Face Kit Consists of:  
1 x Face inboard & seat outboard, 1 x Rotary seal face (outboard), 1 x Rubber washer, 1 x drive ring, 1 x pin

Secondary Seal Trim Kit Consists of:  
1 x O-ring (2.62x33), 1 x O-ring (2.62x28.25), 1 x O-ring (2.62x50.47)

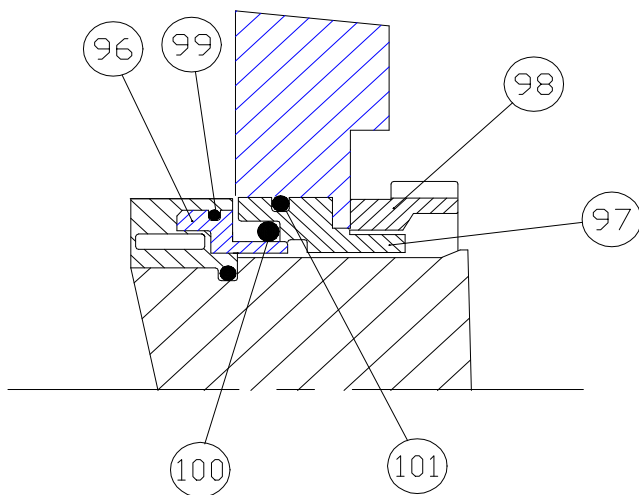
Seal Housing Kit Consists of:  
1 x Wave spring, 2 x Drive ring, 1 x Double flush housing, 3 x Pins

	Double Mechanical Seal Conversion Kit Consists of: 2 x Secondary Seal Face Kit (92). 2 x Secondary Seal Trim Kit (93), 2 x Drive Plate Mechanical Seal (94), 2 x Seal Housing Kit (95)	42 & 44 Size	54499-0030	1
--	---	--------------	------------	---



4 Size Pumps

Single O-Ring Seal



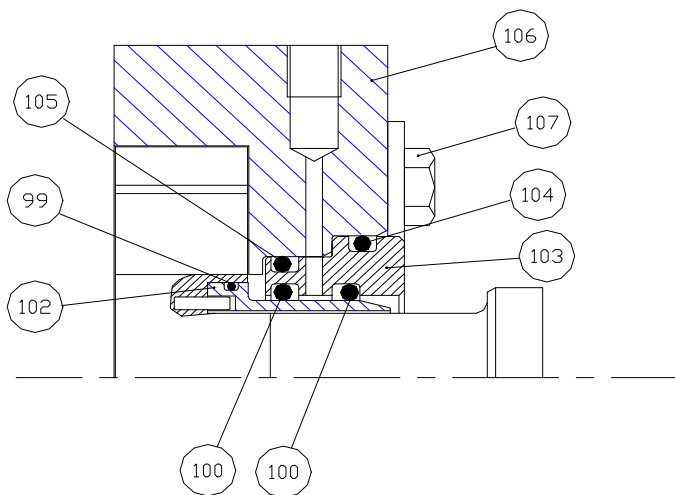
Key No.	Description	Where used	Part No.	Qty Req.
96	Seal Sleeve	42 & 44 Size	54453-0000	2
97	Seal Housing	42 & 44 Size	54452-0000	2
98	Retaining Nut	42 & 44 Size	54454-0000	2
99	O-Ring - Rotor (Nitrile)	42 & 44 Size	92000-6033	2
100	O-Ring - Primary Seal (Viton)	42 & 44 Size	92000-6053	2
101	O-Ring - Seal Housing (Nitrile)	42 & 44 Size	92000-6045	2

	Single O-Ring Seal Kit Consists of:- 2 x Seal Sleeve (96), 2 x Seal Housing (97), 2 x Retaining Nut (98) 2 x O-Ring Rotor (Nitrile) (99), 2 x O-Ring Primary Seal (Viton) (100), 2 x O-Ring Seal Housing (Nitrile) (101)	42 & 44 Size	54451-0000	1
--	--	--------------	------------	---

	Single O-Ring Maintenance Seal Kit  Nitrile EPDM Viton PTFE  Consists of:- 1 x Single O-Ring Seal Kit, 1 x End Cover O-Ring (120), 2 x O-Ring Rotor Retainer (58), 2 x O-ring Shim Retention (31), 1 x Shim kit (30)	42 & 44 Size	54499-0040 54499-0041 54499-0042 54499-0043	1
--	---	--------------	--	---

4 Size Pumps

Double O-Ring Seal



Key No.	Description	Where used	Part No.	Qty Req.
99	O-Ring - Rotor (Nitrile)	42 & 44 Size	92000-6033	2
100	O-Ring - Primary Seal (Viton)	42 & 44 Size	92000-6053	4
102	Seal Sleeve	42 & 44 Size	54437-0000	2
103	Seal Housing	42 & 44 Size	54438-0000	2
104	O-Ring Housing Nitrile)	42 & 44 Size	92000-6037	4
105	O-Ring Flush Housing	42 & 44 Size	92000-6036	2
* 106	Housing - Flush	42 & 44 Size	54432-0000	2
107	Bolt Flush Housing	42 & 44 Size	X3001-211F	4

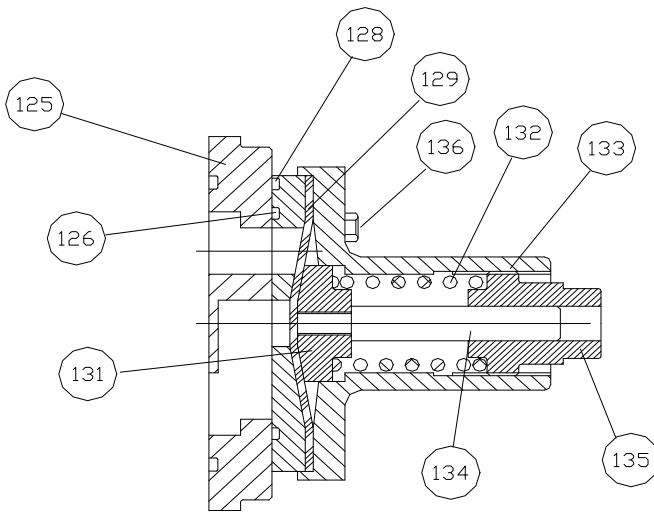
\* Note: Rotor case may be different, Refer to JABSCO quoting pump serial number for information

Double O-Ring Seal Kit Consists of:- 1 x Rotor Case - Double O-Ring Seal (Bolt on Ports) 2 x O-Ring Rotor (Nitrile) (99), 4 x O-Ring Primary seal (Viton) (100) 2 x Seal Sleeve (102), 2 x Seal Housing (103), 4 x O-Ring housing (Nitrile) (104) 2 x O-Ring Flush Housing (Nitrile) (105), 2 x Flush Housing (106) 4 x Bolt - Flush Housing (107)	42 & 44 Size	54436-0000	1
--	--------------	------------	---

Double O-Ring Maintenance Seal Kit  Nitrile EPDM Viton PTFE  Consists of:- 1 x Double O-Ring Seal Kit, 1 x End Cover O-Ring (120), 2 x O-Ring Rotor Retainer (58), 2 x O-ring Shim Retention (31), 1 x shim kit (30)	42 & 44 Size	54499-0050 54499-0051 54499-0052 54499-0053	1
---	--------------	--	---

4 Size Pumps

Relief Valve

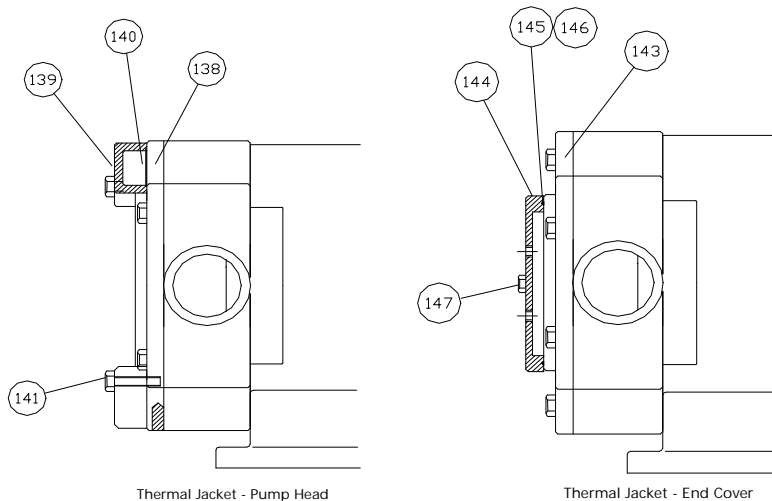


Key No.	Description	Where used	Part No.	Qty Req.	
Relief Valve					
125	End Cover	42 & 44 Size	54409-0001	1	
126	O-Ring - Relief Valve	43 & 44 Size	- Nitrile - PTFE - Viton	X4020-374X X4020-374E X4020-374B	1
128	Seat - Relief valve	42 & 44 Size	24072-0001	1	
129	Diaphragm - Relief Valve	42 & 44 Size	54073-0020 24073-0010	1	
131	Plunger		24074-0000	1	
132	Spring - Relief Valve		24075-0000	1	
133	Housing		24076-0000	1	
134	Valve Guide		24077-0000	1	
135	Adjusting Screw		24078-0000	1	
136	Bolt - Relief Valve		X3001-213F	2	

	Relief Valve Kit (includes all of the components above)	42 & 44 Size	54481-0001B	1
--	---	--------------	-------------	---

4 Size Pumps

Thermal Jackets



Key No.	Description	Where used	Part No.	Qty Req.
Thermal Jacket - Pump Head				
138	End Cover	42 & 44 Size	54409-0003	1
139	Jacket	42 & 44 Size	54401-0001	2
140	O-Ring	42 & 44 Size	X4020-357B	2
141	Screws	42 & 44 Size	X3001-213F	4

Pump Head Jacket Kit (Includes all of the components above)	42 & 44 Size	54480-0003B	1
---	--------------	-------------	---

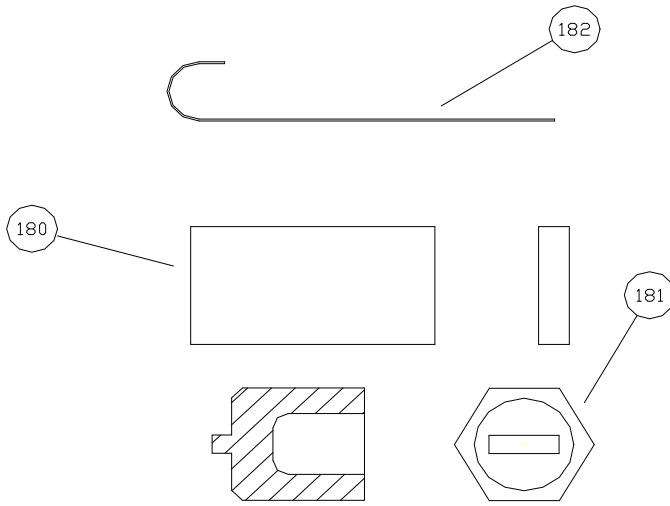
Thermal Jacket - End Cover				
143	End Cover	42 & 44 Size	54409-0004	1
144	Jacket	42 & 44 Size	55379-0000	1
145	O-Ring - Outer	42 & 44 Size	X4020-384B	1
146	O-Ring - Inner	42 & 44 Size	X4020-112B	1
147	Screws	42 & 44 Size	X3007-217F	1

End Cover Jacket Kit (Includes all of the components above)	42 & 44 Size	54480-0004B	1
---	--------------	-------------	---

Relief Valve with Thermal Jacket - End Cover	42 & 44 Size	54480-0009B	1
Consists of: 1 x End cover (138), 1 x O-Ring - valve (126), 1 x Seat - valve (128) 1 x Diaphragm (129), 1 x Plunger (131), 1 x Spring (132), 1 x Housing (133) 1 x Valve guide (134), 1 x Adjusting screw (135), 2 x bolts (136) 2 x Jacket (139), 2 x O-ring (140) & 4 x Screws (141)			

4 Size Pumps

Tools



Key No.	Description	Where used	Part No.	Qty Req.
182	Tool - Seal Seat Removal	42 & 44 Size	54677-0000	1
180	Tool - Rotor Locking Pad	42 & 44 Size	55027-0004	1
181	Socket Tool - Rotor Retainer	42 & 44 Size	54576-0000	1