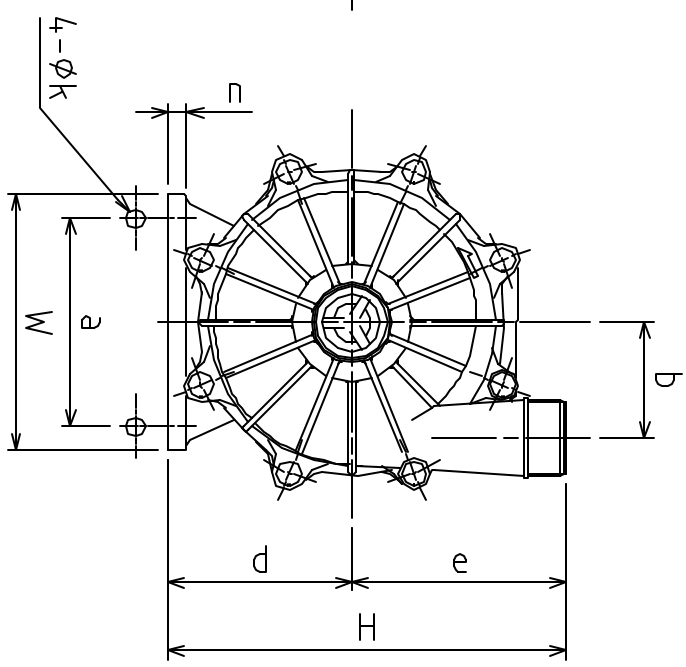
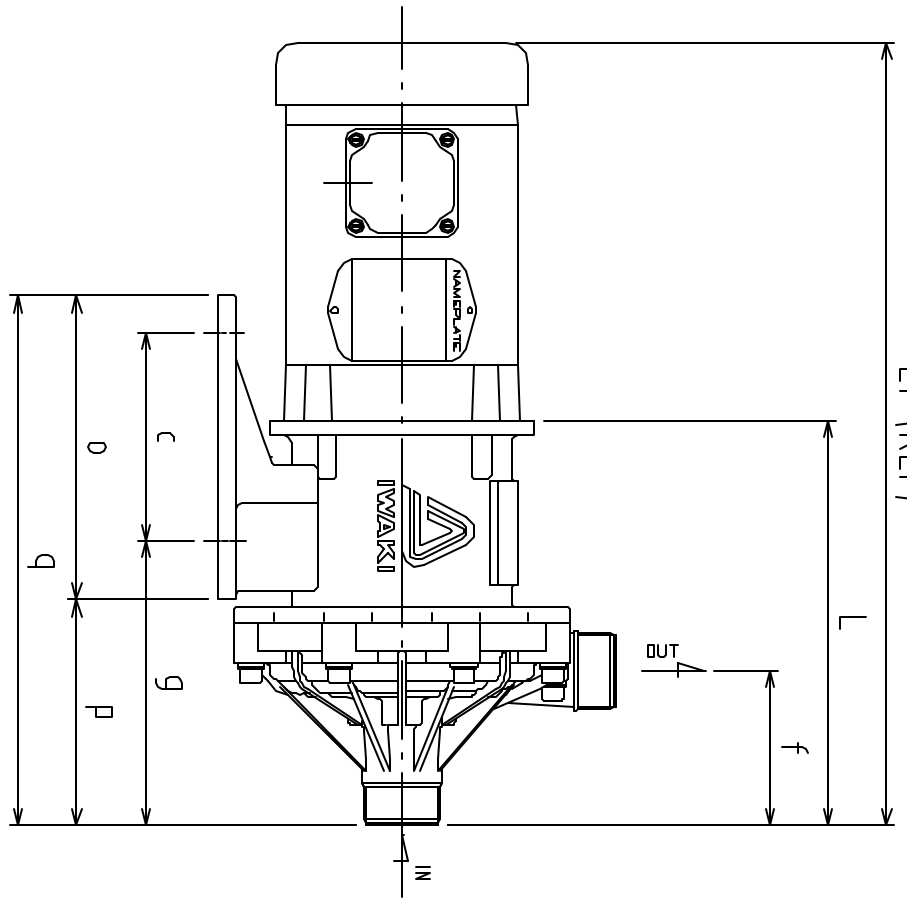


PART OR DRAWING NO.  
IF20499  
REV. A




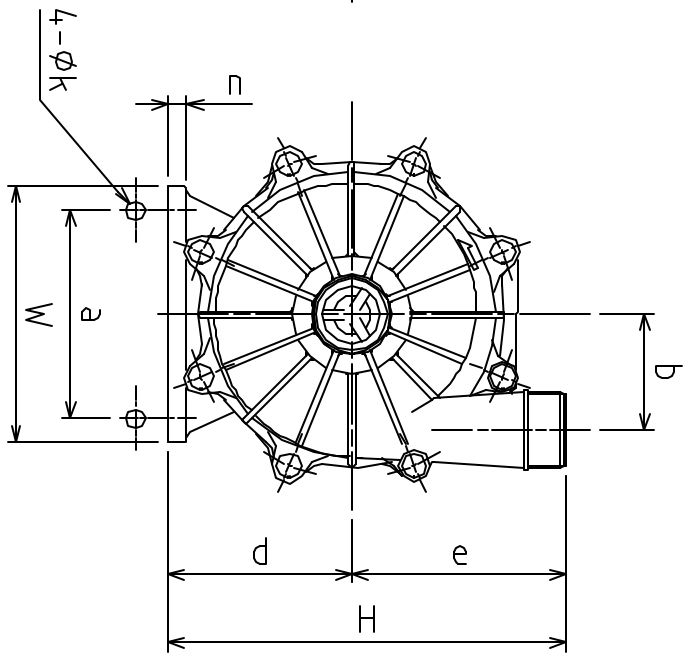
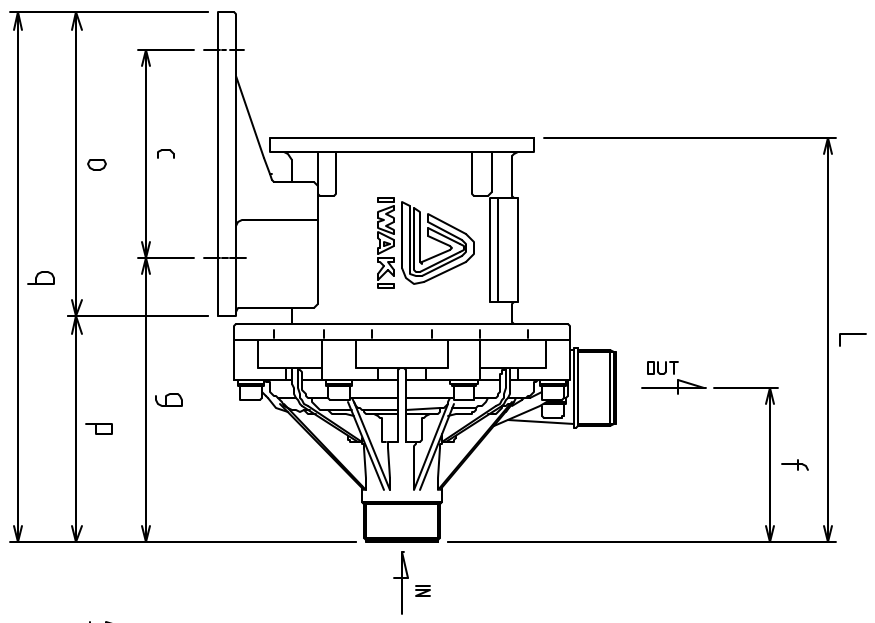
- NOTES:**
- 1) SHAPE OF PRODUCT ON DRAWING MAY DIFFER FROM ACTUAL PRODUCT ON SOME POINTS.
  - 2) SOME DIMENSIONS MAY VARY.
  - 3) FLANGES AVAILABLE UPON REQUEST.
  - 4) PUMP DRAWN FROM Z2B4Q256X.

MODEL	SUCTION	DISCHARGE
MX-IF401	1.5" MNPT	1.5" MNPT

MODEL	HP/FRAME	W	H	L	L+ (REF)
MX-IF401	1 / 56C	6.30	9.81	9.96	19.25
MX-IF401	1.5 / 56C	6.30	9.81	9.96	19.87

MODEL	a	b	c	d	e	f	g	k	n	o	p	q
MX-IF401	5.12	2.83	5.12	4.53	5.28	3.82	7.01	.47	.47	7.48	5.55	13.03

ECO#	DESCRIPTION			DATE	REV. L TR.
MATERIAL	GFRPP (CFRTEF)				
CJC	15	12	03		
DRAWN	DAY	MO.	YR.	RELEASED	SHEET NO.
 <b>Iwaki Walchem Corp.</b> 6 Boynton Rd. Hopping Brook Park Holliston, MA 01748 www.IwakiWalchem.com (508)428-1440					
TITLE	MX-(F)401, 1				REV. A
1/1.5 HP / 56C FRAME					

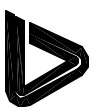


- NOTES:**
- 1) SHAPE OF PRODUCT ON DRAWING MAY DIFFER FROM ACTUAL PRODUCT ON SOME POINTS.
  - 2) SOME DIMENSIONS MAY VARY.
  - 3) FLANGES AVAILABLE UPON REQUEST.
  - 4) PUMP DRAWN FROM Z2B4Q256X.

MODEL	SUCTION	DISCHARGE
MX-IF401	1.5" MNPT	1.5" MNPT

MODEL	HP/FRAME	W	H	L
MX-IF401	1/1.5 / 56C	6.30	9.81	9.96

MODEL	a	b	c	d	e	f	g	k	n	o	p	q
MX-IF401	5.12	2.83	5.12	4.53	5.28	3.82	7.01	.47	.47	7.48	5.55	13.03

ECO#	DESCRIPTION			DATE	REV. L TR.
MATERIAL	GFRPP (CFRTEF)				
CJC	15	12	03		
DRAWN	DAY	MO.	YR.	RELEASED	SHEET NO.
 <p><b>Iwaki Walchem Corp.</b>                  6 Boynton Rd.                  Hopping Brook Park                  Holliston, MA 01748                  www.IwakiWalchem.com (508)428-1440</p>					
TITLE					REV.
MX-(F)401, 2					A
1/1.5 HP / 56C FRAME					