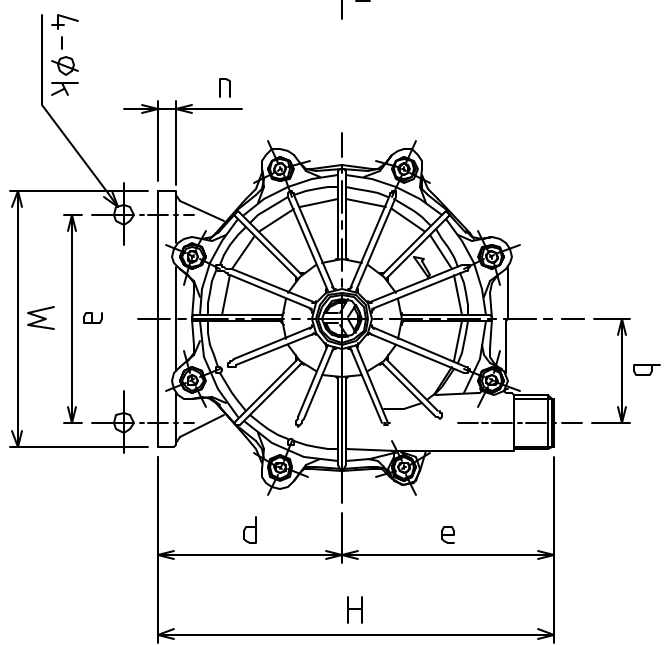
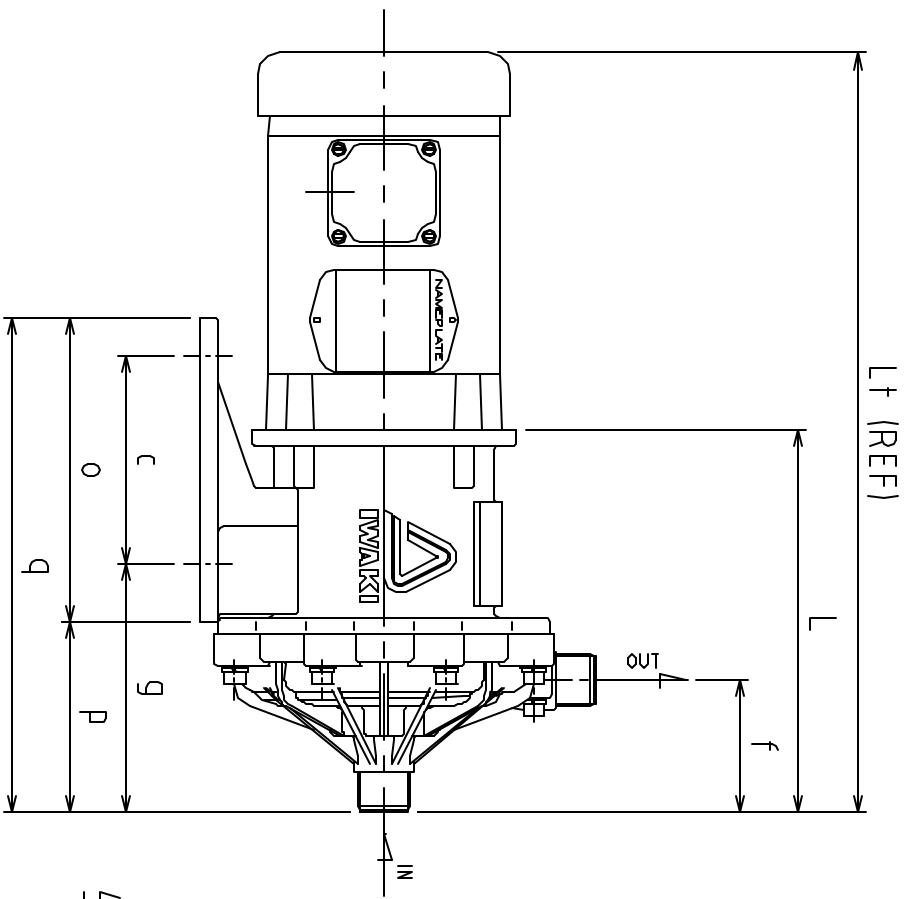


PART OR DRAWING NO.
IF20495
REV. A

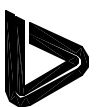


- NOTES:**
- 1) SHAPE OF PRODUCT ON DRAWING MAY DIFFER FROM ACTUAL PRODUCT ON SOME POINTS.
 - 2) SOME DIMENSIONS MAY VARY.
 - 3) FLANGES AVAILABLE UPON REQUEST.
 - 4) PUMP DRAWN FROM Z2B4Q2547 & Z2B4Q2548.

MODEL	SUCTION	DISCHARGE
MX-IF250	1" MNPT	1" MNPT
MX-251	1" MNPT	1" MNPT

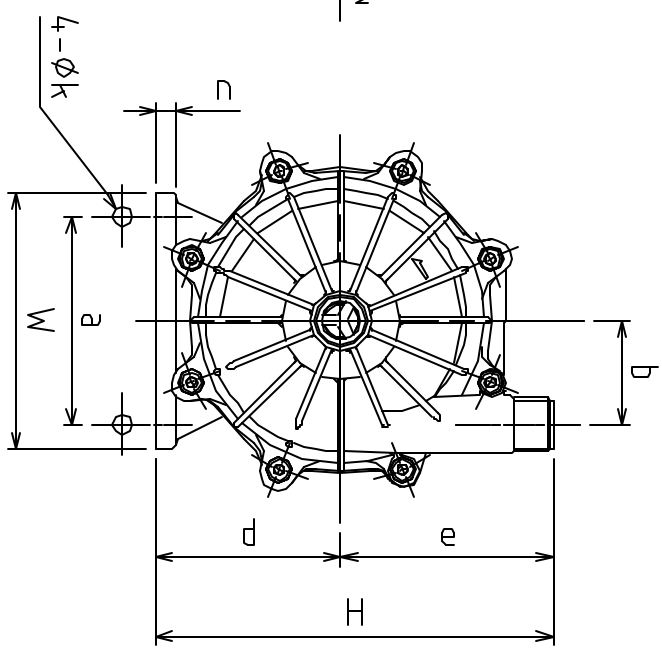
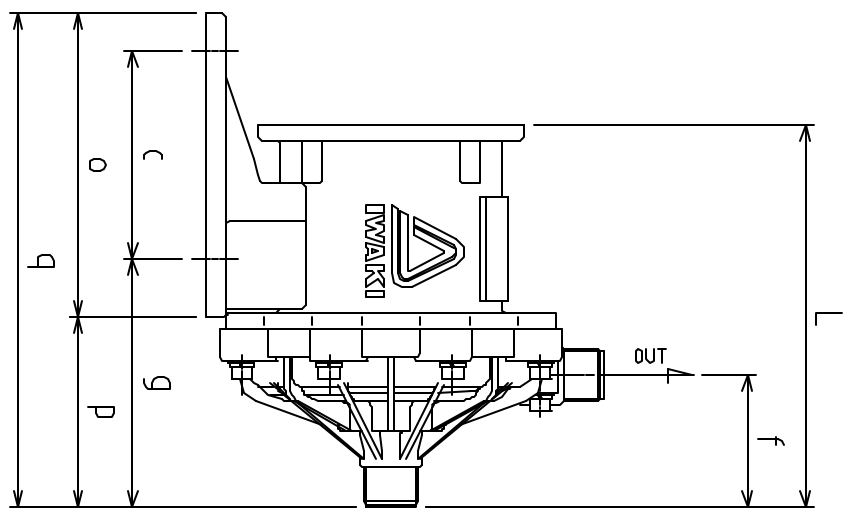
MODEL	HP/FRAME	W	H	L	Lt (REF)
MX-IF250	.5 / 56C	6.30	9.75	9.39	18.68
MX-251	1 / 56C	6.30	9.75	9.39	18.68

MODEL	a	b	c	d	e	f	g	k	n	o	p	q
MX-IF250	5.12	2.56	5.12	4.53	5.22	3.25	6.12	.47	.47	7.48	4.67	12.15
MX-251	5.12	3.00	5.12	4.53	5.22	3.25	6.44	.47	.47	7.48	4.98	12.46

ECO#	DESCRIPTION			DATE	REV. L TR.
MATERIAL	GERPP ICFRETFE				
CJC	15	12	03		
DRAWN	DAY	MO.	YR.	RELEASED	SHEET NO.
 Iwaki Walchem Corp. 6 Boynton Rd. Hopping Brook Park Holliston, MA 01748 www.IwakiWalchem.com (508)429-1440					
TITLE	MX-(F)250, 1 .5/1 HP / 56C FRAME				REV. A

1 2 3 4 5 6 7 8 9 10 11 12 13 14 15 16 17 18 19 20 21 22 23 24 25

PART OR DRAWING NO.
IF 20496
REV.
A



- NOTES:**
 1) SHAPE OF PRODUCT ON DRAWING MAY DIFFER FROM ACTUAL PRODUCT ON SOME POINTS.
 2) SOME DIMENSIONS MAY VARY.
 3) FLANGES AVAILABLE UPON REQUEST.
 4) PUMP DRAWN FROM 22B402547 & 22B402548.

MODEL	SUCTION	DISCHARGE
MX-IF250	1" MNPT	1" MNPT
MX-251	1" MNPT	1" MNPT

MODEL	HP/FRAME	W	H	L
MX-IF250	.5 / 56C	6.30	9.75	9.39
MX-251	1 / 56C	6.30	9.75	9.39

MODEL	a	b	c	d	e	f	g	k	n	o	p	q
MX-IF250	5.12	2.56	5.12	4.53	5.22	3.25	6.12	.47	.47	7.48	4.67	12.15
MX-251	5.12	3.00	5.12	4.53	5.22	3.25	6.44	.47	.47	7.48	4.98	12.46

ECD#	DESCRIPTION		DATE	REV. L TR.
MATERIAL	GFRPP (CFRTEFE)			
CJC	15	12	03	
DRAWN	DAY	MO.	YR.	RELEASED
				SHEET NO.

Iwaki Walchem Corp.
 5 Boynton Rd.
 Hopping Brook Park
 Holliston, MA 01746
 www.IwakiWalchem.com (800)429-1440

TITLE
 MX-(F)250, 1
 .5/1 HP / 56C FRAME

PART OR DWG. NO.
 MX-(F)250, 2

REV.
 A