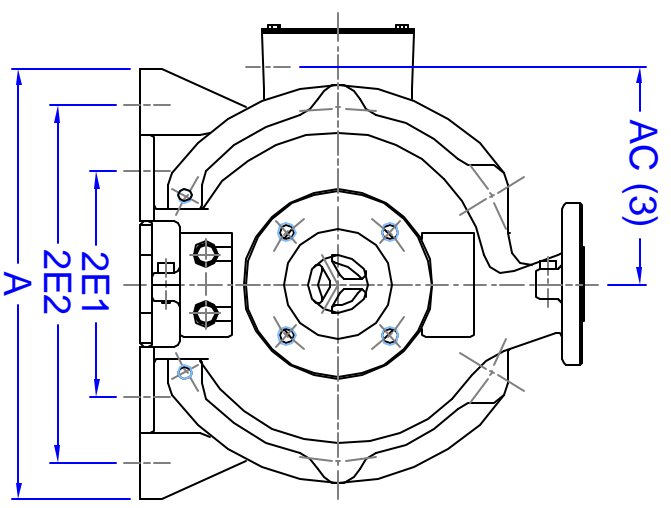
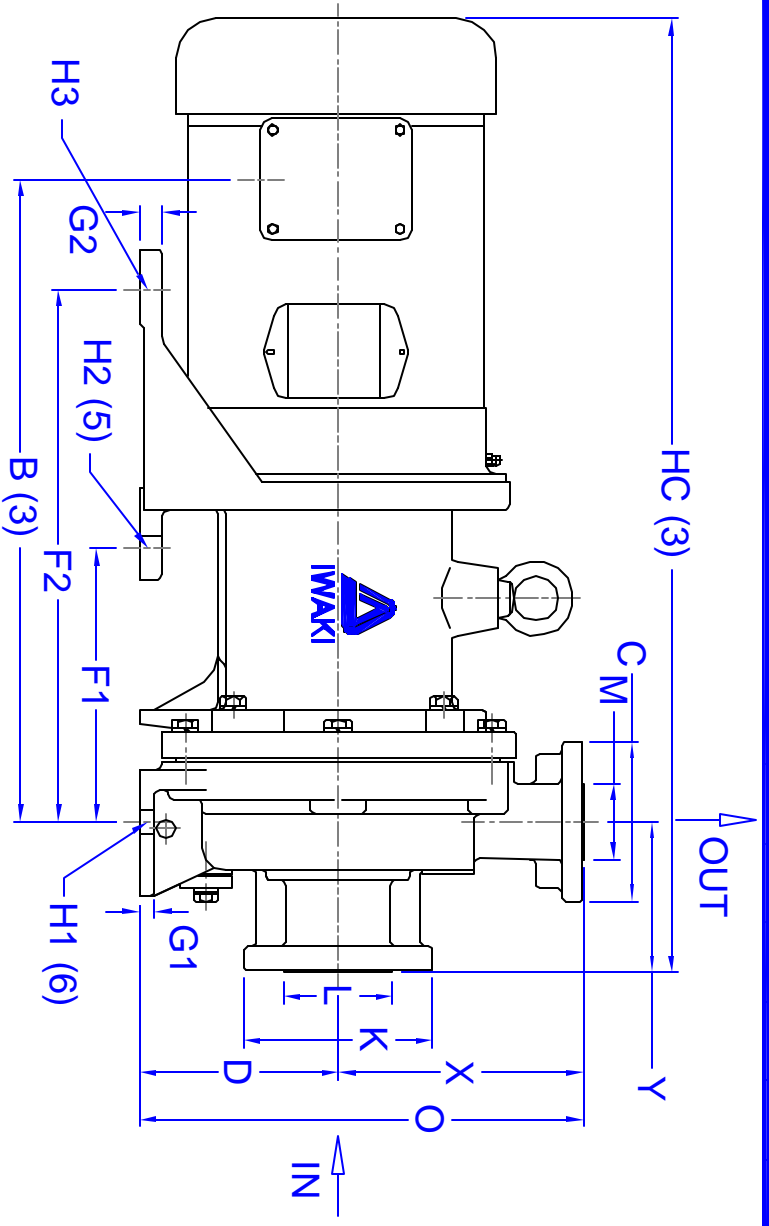


PART OR DRAWING NO. **IF20417** REV. **C**



PUMP DIMENSIONS (1)

A	AC (3)	B (3)	D	2E1	2E2	F1	F2	G1	G2	H1(6)	H2 (5)	H3	HC (3)	O	X	Y
11.42"	5.76"	17.01"	5.26"	5.98	9.45"	7.24"	14.09"	0.39"	0.59"	0.63"	0.63"	0.63"	25.29"	11.76"	6.50"	4.00"

MODEL	HP/FRAME	PUMP FLANGES (2)		DIMENSIONS			
		SUCTION	DISCHARGE	K	L	C	M
MDM-1516	3/182TC						
MDM-1518	5/184TC	1.5"	1"	5.00"	2.87"	4.25"	2.00"

NOTES AND REFERENCES:

- (1) ALL DIMENSIONS IN INCHES. ALL TOLERANCES ±.125", CONSULT IWAKI AMERICA FOR MORE DETAILS. ACTUAL PRODUCT MAY DIFFER ON SOME POINTS.
- (2) BOLT HOLE LOCATIONS OF SUCTION AND DISCHARGE FLANGES CONFORM TO ANSI B16.5 150 LB STANDARD. THE FLANGE BOLT HOLES HAVE 1/2" -13 UNC THREADS.
- (3) DIMENSION MAY VARY BASED ON MOTOR SIZE AND MANUFACTURER. MODEL 1518/ 5HP REQUIRES ADDITIONAL MOTOR ADAPTER PLATE.
- 4 NEMA MG 1-1993, PART 4 USED FOR REFERENCE.
- (5) SLOT IS OPEN ENDED TO FRONT OF FRAME.
- (6) SLOTS ARE OPEN ENDED TO SIDE OF FRAME.
- 7 PUMP DIMENSIONS BASED ON ANSI B73.3M-1997.
- 8 DRAWN PER 22000239 (MDM1516- F03A-2).

10619 NEW FORMAT AND NOTES EDT 08-01-04		C	
EC#	DESCRIPTION	DATE	REV. LTR.
PUMP WEIGHT	WET-END MATERIALS		
110/132 LB	CFRETTE OR PFA		
EDT	01 08 04	CJC	1
DRAWN	DAY MD. YR.	RELEASED	SHEET NO.



TITLE **MDM-151X (3 & 5 HP)** PART OR DWG NO. **IF20417** REV. **C**
 Dimensional Drawing