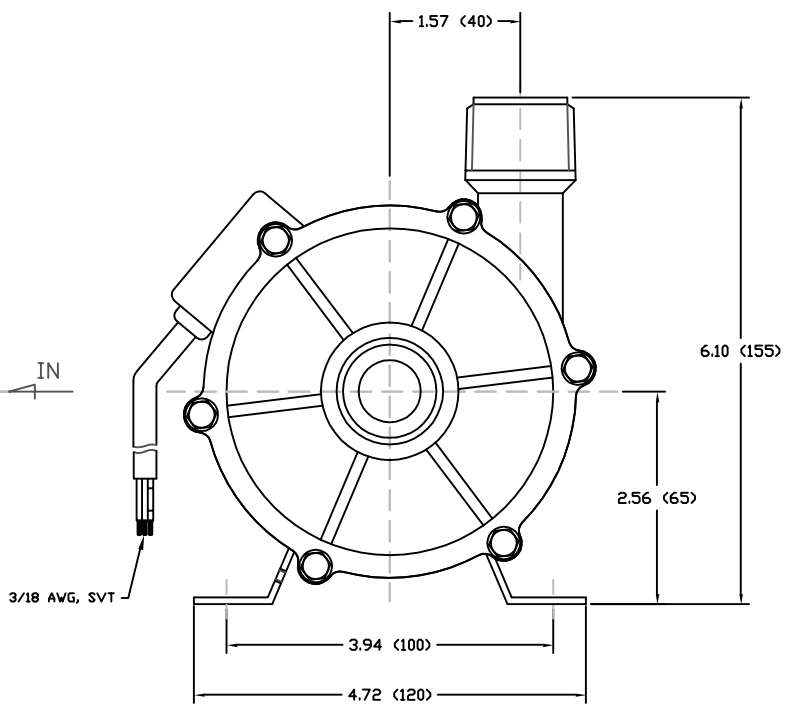
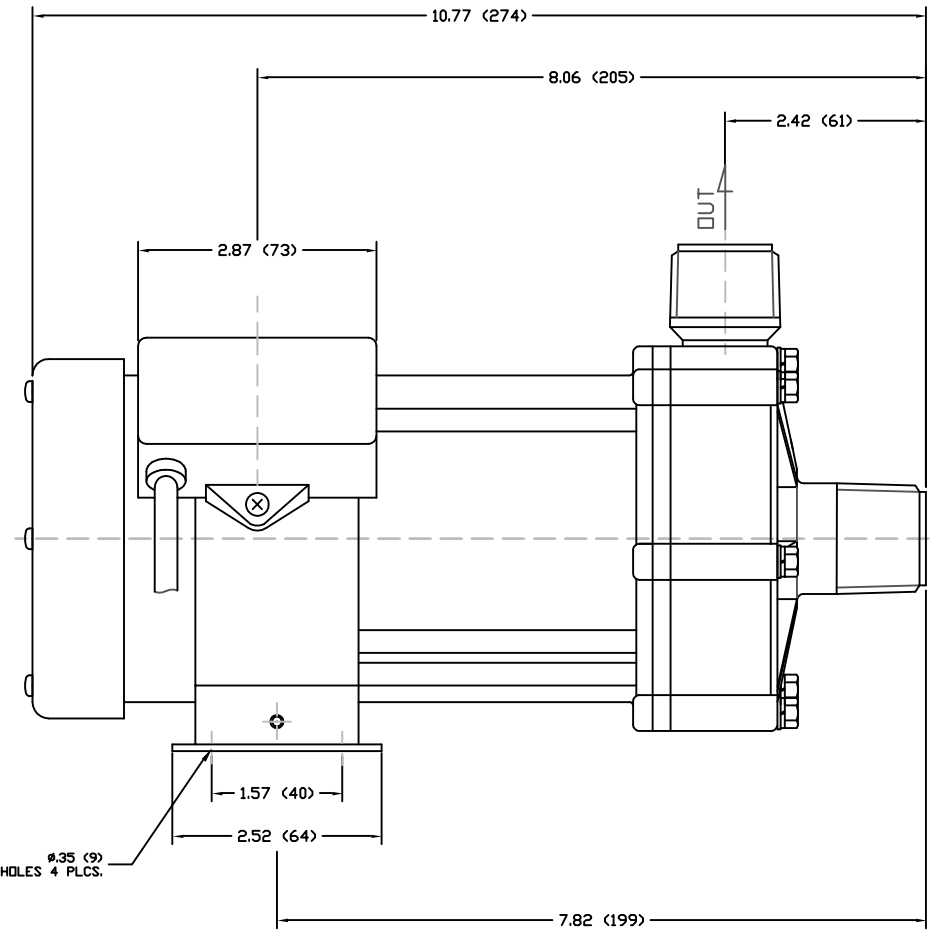


1 2 3 4 5 6 7 8 9 10 11 12 13 14 15 16 17 18 19 20 21 22 23 24 25

PART OR DRAWING NO. IF20574 REV. A

A  
B  
C  
D  
E  
F  
G  
H  
I  
J  
K  
L  
M  
N  
O  
P  
Q  
R  
S



- NOTES:  
 1. DRAWING MAY VARY FROM ACTUAL PRODUCT  
 2. DRAWN FROM 2Z000373 TO SCALE.  
 3. REFER TO SPECIFICATION C910659.  
 4. DIMENSIONS ARE IN INCHES (MM).

SPECIFICATIONS	
MAX CAPACITY	18.4 GPM (69.7 LPM)
MAX HEAD	26.9 FT (8.2 M)
MAWP	17.06 PSI (.12 MPA)
VOLTAGE	115/220 VAC
CURRENT	1.6 A
CORD LENGTH	39.4 IN (1 M)
WEIGHT	10.1 LBS (4.58 KG)
SUCTION	1 IN NPT - MALE
DISCHARGE	1 IN NPT - MALE

MATERIALS

CASING	GFRPP
IMPELLER	GFRPP
SPINDLE	ALUMINA CERAMIC
BEARING	PTFE
THRUST RING	ALUMINA CERAMIC
O-RING	FKM

ECO#	DESCRIPTION	DATE	REV. LTR.
MATERIAL SEE CHART			
GJS	04 03 05	XXX	1
DRAWN	DAY	MO.	YR.
		RELEASED	SHEET NO.
		5 Boynton Rd. Hopping Brook Park Holliston, MA 01746 (508) 429-1440 <a href="http://www.IwakiAmerica.com">www.IwakiAmerica.com</a>	
TITLE		MAG DRIVE PUMP MD-55RLT (115/220V)	

PART OR DWG. NO. IF20574 REV. A