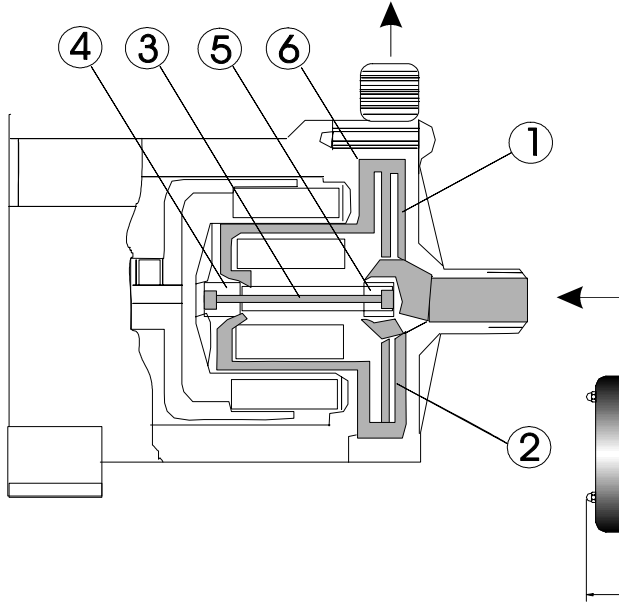
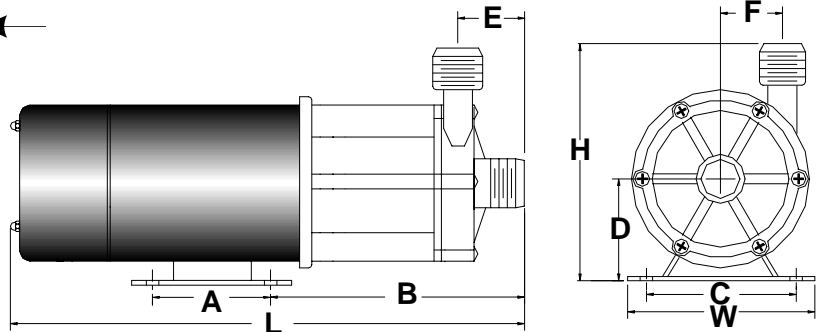


- Twin bearing system handles thrust loads, extends service life
- Hollow rotating / Internal cooling circuit reduces bearing temperature
- Compact / Quiet energy efficient design
- Few moving parts for easy maintenance
- Other sizes, voltages & materials available



Part	Material
1 Casing	GFRPP
2 Impeller	GFRPP or CFRPP
3 Spindle	Ceramic
4 Bearing	PTFE
5 Thrust ring	Ceramic or PE
6 O-ring	FKM or EPDM



### Dimensions (inches) and Specifications

Model	W	H	L	A	B	C	D	E	F
MD-30R(T)	4.72	5.12	9.76	1.57	5.87	3.94	2.36	1.89	1.2
MD-30RX(T)	4.72	5.39	10.00	1.57	6.10	3.94	2.36	1.97	15+
MD-30RZ(T)	4.72	5.12	9.05	1.57	5.20	3.94	2.36	1.56	1.52
MD-40R(T)	4.72	5.12	9.89	1.57	5.87	3.94	2.36	1.89	1.22
MD-40RX(T)	4.72	5.53	10.08	1.57	6.10	3.94	2.36	1.97	15+

+ Degrees offset from vertical

Model	CONNECTIONS		MOTOR		AMPS 115V	MAX FLOW GPM	MAX HEAD FT	MAX SYS PRESSURE PSI	S.G.	WEIGHT LBS
	HOSE	NPTM	OUTPUT (HP)	SPEED (RPM)						
MD-30R(T)	3/4	3/4	1/16	3150	1.0	10.0	17.7	11.6	1.3	8
MD-30RX(T)	1	1	1/16	3150	1.1	19.0	13.5	8.50	1.1	9
MD-30RZ(T)	5/8	3/4	1/16	3100	1.1	4.60	36.1	24.2	1.0	8
MD-40R(T)	3/4	3/4	1/12	3200	1.3	13.7	21.3	14.2	1.1	9
MD-40RX(T)	1	1	1/12	3200	1.2	22.4	15.4	10.0	1.1	9