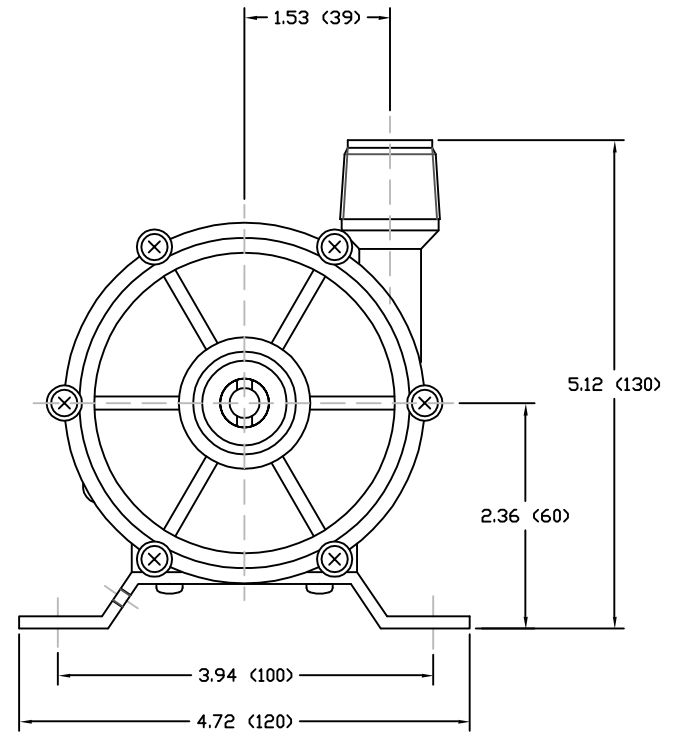
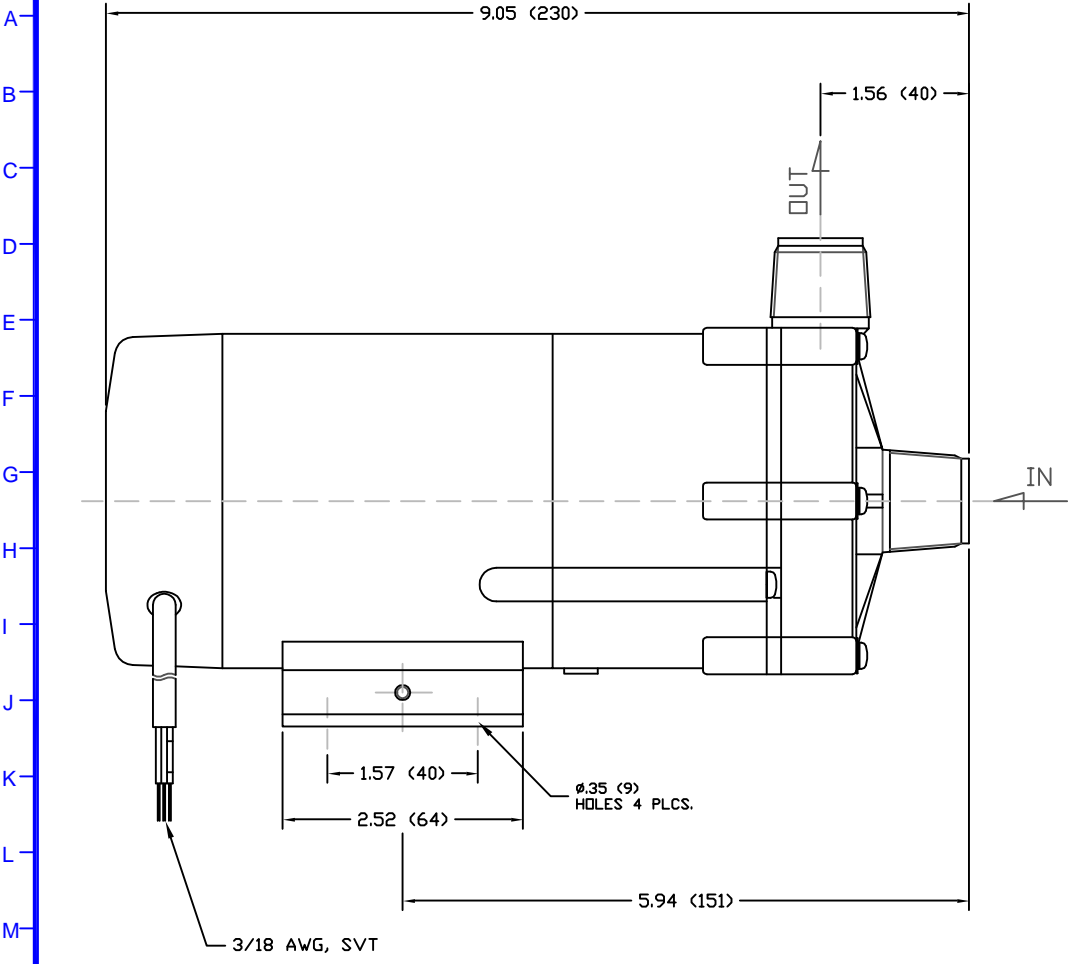


1 2 3 4 5 6 7 8 9 10 11 12 13 14 15 16 17 18 19 20 21 22 23 24 25

PART OR DRAWING NO. IF20570 REV. A



- NOTES:  
 1. DRAWING MAY VARY FROM ACTUAL PRODUCT  
 2. DRAWN FROM 2Z000411 TO SCALE.  
 3. REFER TO SPECIFICATION C910697/  
 4. DIMENSIONS ARE IN INCHES (MM).

MATERIALS	
CASING	GFRPP
IMPELLER	GFRPP
SPINDLE	ALUMINA CERAMIC
BEARING	PTFE
THRUST RING	ALUMINA CERAMIC
O-RING	FKM

SPECIFICATIONS	
MAX CAPACITY	4.5 GPM (17 LPM)
MAX HEAD	36.1 FT (11 M)
MAWP	24.18 PSI (.17 MPA)
VOLTAGE	115/220 VAC
CURRENT	1.1/0.4 A
CORD LENGTH	39.4 IN (1 M)
WEIGHT	7.7 LBS (3.49 KG)
SUCTION	3/4 IN NPT - MALE
DISCHARGE	3/4 IN NPT - MALE

ECO#	DESCRIPTION	DATE	REV. LTR.
MATERIAL SEE CHART			
GJS	04 03 05	XXX	1
DRAWN	DAY	MO.	YR.
		RELEASED	SHEET NO.
		5 Boynton Rd. Hopping Brook Park Holliston, MA 01746 (508) 429-1440 <a href="http://www.IwakiAmerica.com">www.IwakiAmerica.com</a>	
		TITLE MAG DRIVE PUMP MD-30RZT (115/220V)	

PART OR DWG. NO. IF20570 REV. A