



IWAKI AMERICA MAGNETIC DRIVE PUMPS OPERATING INSTRUCTIONS

INSTALLATION:

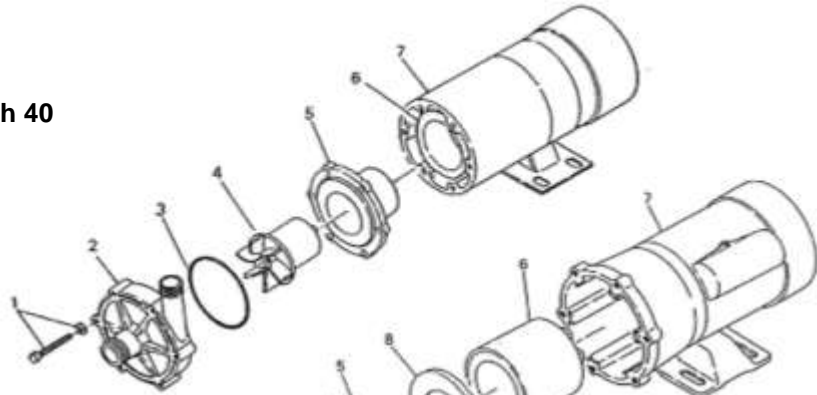
1. Secure the pump to floor or platform by bolting down the baseplate using all four bolt holes provided. For a detailed dimensional pump drawing, visit our website at www.iwakiamerica.com.
2. Check power source for proper voltage and phase. Plug the pump power cord into a switched, grounded outlet or hardwire into a properly grounded circuit. Use appropriate wiring materials and abide by all local and national standards for electrical codes.
3. Connect the inlet and outlet fittings of the pump with the appropriate size tubing or pipe connections.
 - A. For tubing connections, use standard hose clamps to secure tubing. **DO NOT OVER-TIGHTEN.**
 - B. For pipe thread connections, use pipe tape to insure a good seal. **DO NOT OVER-TIGHTEN.**
 - C. For convenient disconnection of pumps installed with rigid pipe, install unions near both inlet and outlet connections.
4. **DO NOT OPERATE PUMP DRY!**
 - A. All magnetic drive pumps, when put in operation, must be primed with liquid unless the pump is installed below the level of the liquid and is provided with true flooded suction.
 - B. To prime, pour liquid into the outlet tubing or piping and allow it to fill the pumping chamber. The pump will normally prime with less effort when a foot valve is installed at the end of the suction line; this will also eliminate the need to reprime each time the pump is turned off.
5. With inlet and outlet valves open, the pump can be started. The pump flow rate can be regulated by a valve on the discharge side. If flexible tubing is used, a simple tubing clamp can be employed to restrict flow. **NEVER RESTRICT SUCTION.**

OPERATING TIPS:

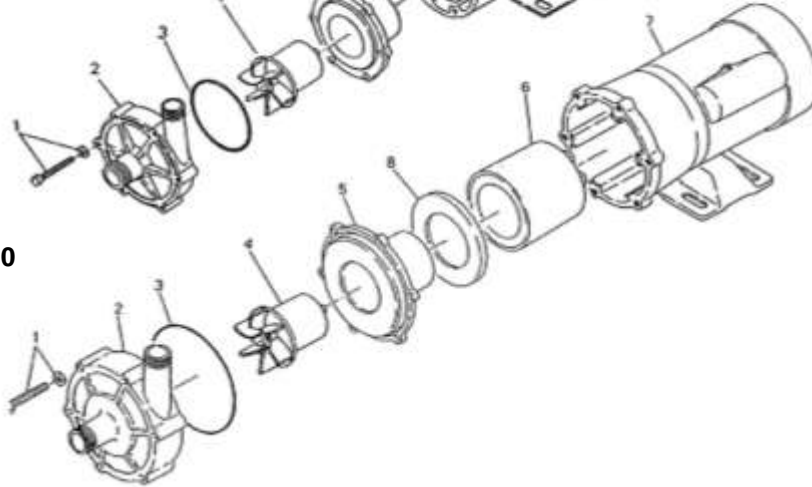
- A. If the pump is to be left idle for extended periods, flush the pump with water to prevent crystallization of the fluid inside the pump chamber.
- B. If the fluid to be pumped contains suspended solids, install a strainer in the suction plumbing, periodically inspect the suction strainer and remove any built-up debris.
- C. See pump specifications for specific gravity capabilities of individual models.
- D. The impeller may decouple from the drive magnet for several reasons; e.g. if temperature, viscosity or specific gravity are too high. This is usually indicated by initial pumping, then a complete cutoff of flow. Turn off power to the motor, allow it to stop rotating, then start it again. The pump should reconnect automatically. If the problem recurs, check for excess temperature, viscosity, or specific gravity.

TYPICAL WMD/MD SERIES PUMPS

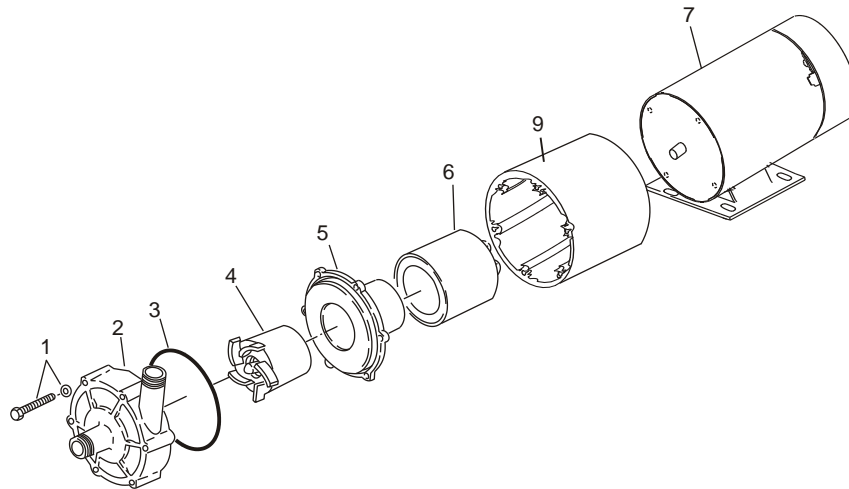
TYPICAL MD-6 through 40



TYPICAL MD-55/70/100



TYPICAL WMD



Item No.	Description	Item No.	Description
1	Screw	5	Rear Casing
2	Front Casing	6	Drive Magnet
3	O-Ring	7	Motor Assembly
4	Impeller	8	Retainer (MD-100R, -100F, -55F only)
		9	Bracket