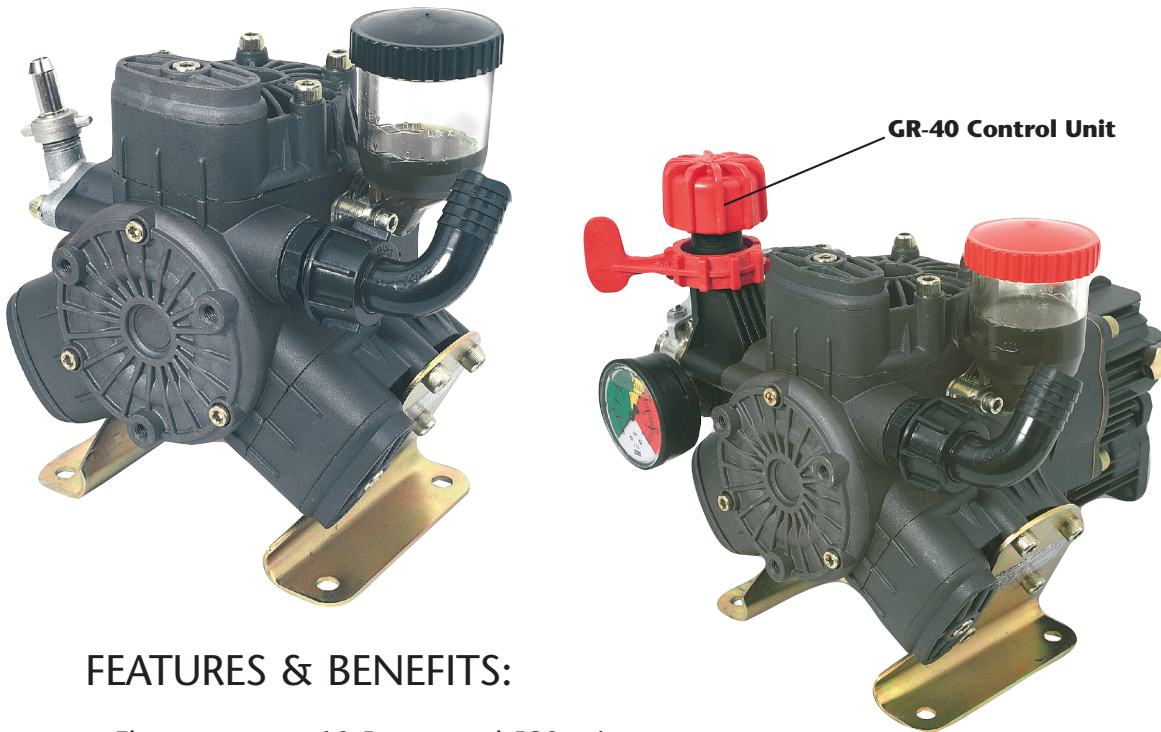


D303 & D403 SERIES PUMPS

Smooth Operating Three Cylinder Design



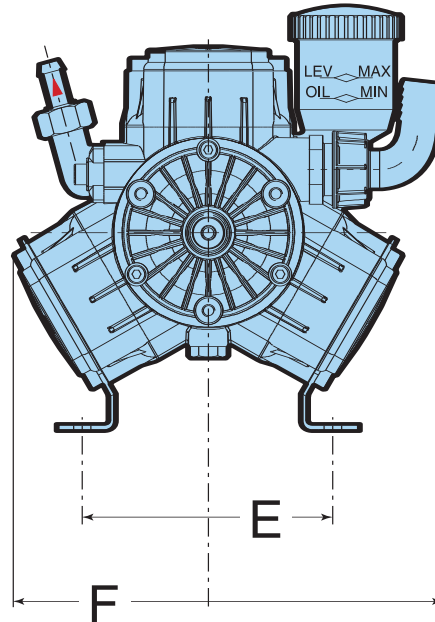
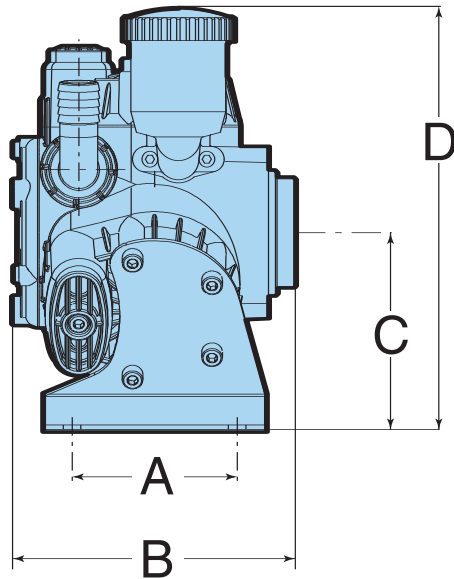
FEATURES & BENEFITS:

- Flow rate up to 10.5 gpm and 580 psi
- 3 cylinder design which eliminates the need for pulsation dampening devices and lengthens the life of entire pumping system
- Volumetrically efficient valve design for higher GPM
- New piston design for longer diaphragm life due to improved hydraulic support behind diaphragms
- Improved manifold design eliminates internal flow restrictions and assures more positive liquid sealing
- New GR40 control unit specially designed for optimum control of D303 and D403 outputs and pressures
- Modern light-weight gear reducers with multiple fins cast into casing for added strength and excellent heat dissipation
- Strong gear reducers rated up to 20 hp (gas engine) with ball and needle bearing support
- Oil sight glasses for visual oil inspection minimizes problems with crankcase
- All casting parts anodized aluminum for corrosion protection

D303 & D403 SERIES PUMPS

SPECIFICATIONS

Smooth Operating Three Cylinder Design



Dimensions

Standard	Metric
A. 4 ²¹ / ₆₄ "	110 mm
B. 7 ³ / ₆₄ "	179 mm
C. 4 ⁵⁹ / ₆₄ "	125 mm
D. 10 ⁹ / ₁₆ "	268 mm
E. 6 ¹ / ₂ "	165 mm
F. 10 ²¹ / ₃₂ "	271 mm

D303

Pressure in PSI and BAR	GPM		HP		GPM		HP	
	L/min	W	L/min	W	L/min	W	L/min	W
	@350 RPM		@450 RPM		@500 RPM		@550 RPM	
0 PSI	5.0	0.4	6.1	0.5	6.4	0.6	7.9	0.7
0 BAR	18.9	298	23	373	24.2	447	30	522
290 PSI	4.0	0.5	5.3	1.0	5.8	1.2	7.1	1.3
20 BAR	15.1	373	20	746	21.9	895	26.8	969
435 PSI	3.9	1.2	5.2	1.5	5.7	1.7	6.7	1.9
30 BAR	14.7	895	19.7	1118	21.6	1268	23.4	1416
580 PSI	3.9	1.5	5.2	1.9	5.6	2.1	6.6	2.4
40 BAR	14.7	1118	19.7	1416	21.2	1566	25	1789

D403

Pressure in PSI and BAR	GPM		HP		GPM		HP	
	L/min	W	L/min	W	L/min	W	L/min	W
	@350 RPM		@450 RPM		@500 RPM		@550 RPM	
0 PSI	6.3	0.7	8.1	1.0	9.0	1.1	10.6	1.2
0 BAR	23.8	522	30.6	746	34	820	40	894
290 PSI	6.1	1.3	7.7	1.7	8.7	1.9	9.8	2.1
20 BAR	23	969	29	1268	32.9	1416	37.1	1566
435 PSI	6.0	1.9	7.7	2.4	8.6	2.7	9.7	2.9
30 BAR	22.7	1416	29	1789	32.5	2013	36.7	2162
580 PSI	5.9	2.3	7.7	2.8	8.6	3.4	9.5	3.8
40 BAR	22.3	1715	29	2087	32.5	2535	35.9	2833



HYPRO[®]

Pentair Water
SPRAY GROUP

375 Fifth Avenue NW • New Brighton, MN 55112
Phone: (651) 766-6300 • 800-424-9776 • Fax: 800-323-6496
www.hypropumps.com