

Models 9910-D252, D252GRGI, D252GRGI58, & D252GRGIAP

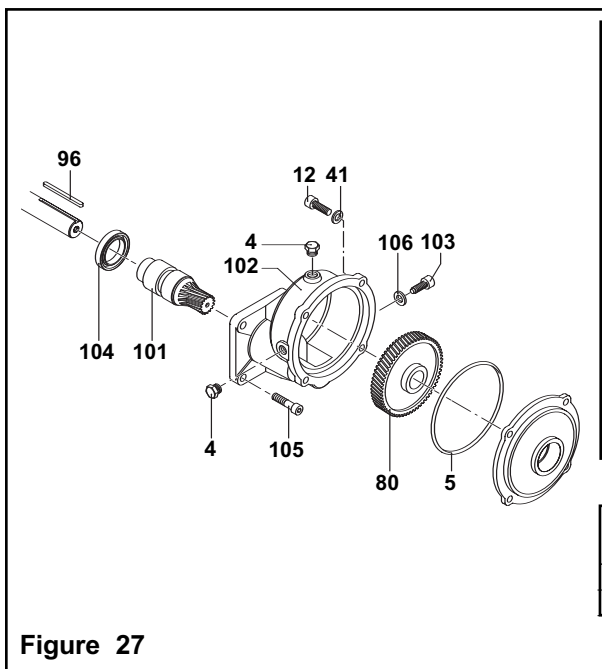
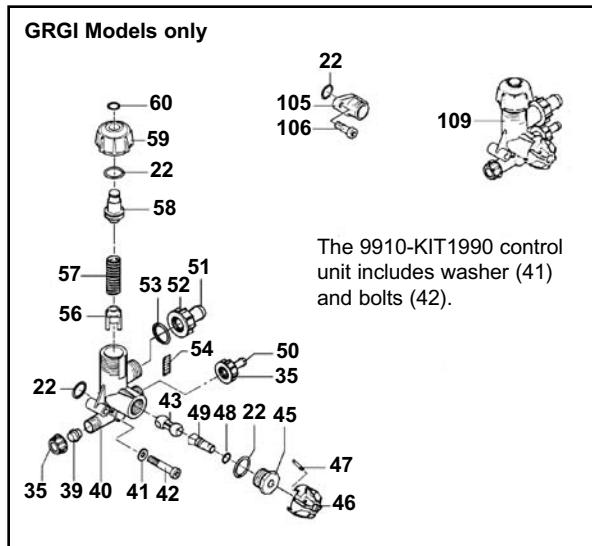
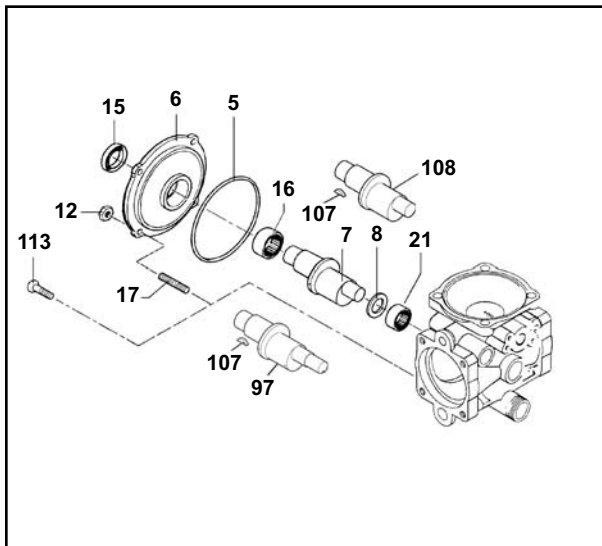
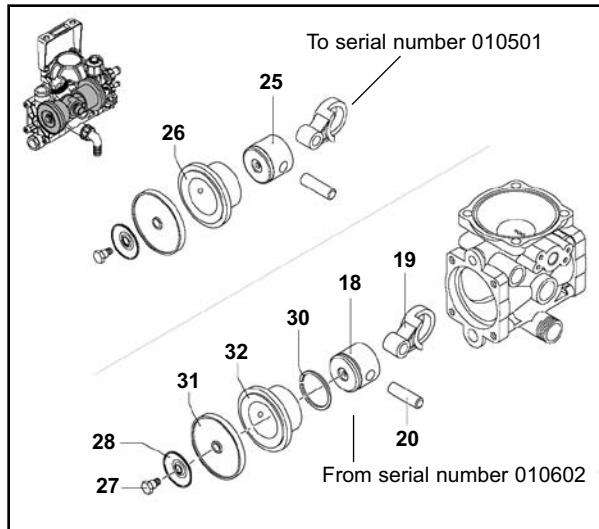
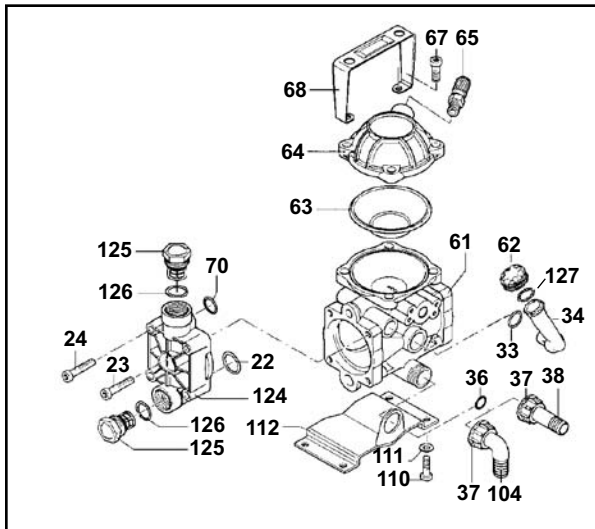


Figure 27

Ref. No.	Part Number	Description	Qty.
4	9910-620301	Plug	2
5	9910-800380	O-Ring	1
12	9910-850850	M6 x 30 Bolt	4
41	9910-550331	Washer	4
80	9910-800280	Gear	1
96	9910-881090	Key	1
101	9910-800810	Driver Gear, 3/4" shaft only	1
101	9910-801230	Driver Gear, 5/8" shaft only	1
102	9910-800820	3/4" Gearbox	1
102	9910-800821	5/8" Gearbox	1
103	9910-800800	M8 x 16 Locating Bolt	1
104	9910-480820	Seal	1
105	9910-620440	5/16 24 UNF x 7/8 Bolt	4
106	9910-820520	Washer	1

Ref. No.	Description	Tightening Torque	
		In. Lbs.	Nm
4	Plug	87.5	9.8
105	Bolt	175.0	19.6

Models 9910-D252, D252GRGI, D252GRGI58, & D252GRGIAP

Ref. No.	Part Number	Description	Qty.
5 ³	9910-800380	O-Ring	1
6	9910-800020	Flange	1
7	9910-800172	3/4" Solid Shaft	1
8	9910-800160	Spacer	1
12	9910-390440	Nut	4
15	9910-800200	Seal	1
16	9910-800180	Roller Bearing	1
17	9910-550330	Stud	4
18	9910-802070	Piston	2
19	9910-800140	Connecting Rod	2
20	9910-800130	Piston Pin	2
21	9910-480370	Roller Bushing	1
22 ^{1,3}	9910-480440	O-Ring	5
23	9910-680360	M8 x 50 Bolt	1
24	9910-800220	M8 x 45 Bolt	7
25	9910-800120	Piston	2
26	9910-800110	Sleeve	2
27	9910-800090	Retaining Bolt	2
28	9910-800350	Plate	2
30	9910-802080	Piston Ring	2
31 ¹	9910-800085	Diaphragm Desmopan (Std.)	2
31	9910-80008T	Diaphragm Teflon (Opt.)	1
31	9910-800080	Diaphragm Buna (Opt.)	2
32	9910-802050	Sleeve	2
33 ³	9910-740290	O-Ring	1
34	9910-801960	Oil Sight Glass	1
35	9910-800520	Ring Nut	2
36 ³	9910-390180	O-Ring	1
37	9910-550450	Ring Nut	1
38	9910-800340	Hose Barb (Inlet) 3/4"	1
39	9910-800540	Plug	1
40	9910-800400	Valve Body	1
41	9910-550331	Washer	2
42	9910-801080	M6 x 40 Bolt	2
43	9910-800430	Valve	1
45	9910-800500	Ring Nut	1
46	9910-800510	Knob	1
47	9910-390330	Pin	1
48 ³	9910-800560	O-Ring	1
49	9910-800490	Positioning Rod	1
50	9910-800530	Hose Barb (Outlet) 3/8"	1
51	9910-800670	Hose Barb (Bypass) 5/8"	1
52	9910-800680	Ring Nut	1
53 ³	9910-740290	O-Ring	1

Ref. No.	Part Number	Description	Qty.
54	9910-800480	ATM Scale Adhesive	1
56	9910-800440	Lower Spring Guide	1
57	9910-800450	Spring	1
58	9910-800460	Upper Spring Guide	1
59	9910-800470	Adjustment Knob	1
60	9910-480550	Retaining Ring	1
61	9910-800010	Pump Body	1
62	9910-550057	Cap	1
63 ¹	9910-800190	Accumulator Diaphragm (Buna-N)	1
63	9910-80019T	Accumulator Diaphragm (Teflon)	1
64	9910-800230	Upper Air Chamber	1
65	9910-800650	Valve	1
67	9910-540290	M8 x 25 Bolt	4
68	9910-800390	Handle	1
70 ^{1,3}	9910-800210	O-Ring	2
97	9910-800173	Thru-Shaft AP, 5/8"	1
104	9910-550460	Elbow	2
105	9910-800691	Flange, 1/2" NPT	1
106	9910-880280	M6 x 18 Bolt	2
107	9910-800590	Key	1
108	9910-800171	Shaft "GR-Version," 3/4"	1
109	9910-Kit 1990	Control unit	1
110	9910-180431	M8 x 16 Bolt	2
111	9910-380241	Washer	2
112	9910-800311	Pulley Base	1
113	9910-320350	M6 x 12 Bolt	4
124	9910-801940	Head	2
125 ²	9910-809060V	Valve Assembly	4
126 ^{2,3}	9910-880830	O-Ring	4
127 ³	9910-550040	O-Ring	1

¹ Denotes Diaphragm Kit 9910-KIT1723

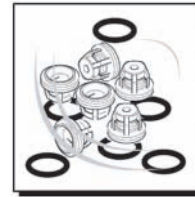
² Denotes Valve Kit 9910-KIT2408

³ Denotes O-Ring Kit 9910-KIT2409

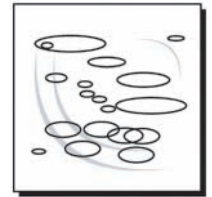
Ref. No.	Description	Tightening Torque	
		In. Lbs.	Nm
23	Bolt	175.0	19.6
24	Bolt	175.0	19.6
27	Retaining Bolt	175.0	19.6
42	Bolt	87.5	9.8
67	Bolt	200.8	22.5
106	Bolt	87.5	9.8
110	Bolt	175.0	19.6
113	Bolt	87.5	9.8
125	Valve Assembly	131.2	14.7



9910-KIT1723 Diaphragm Kit Desmopan	
Ref. No.	Qty.
22	2
31 ¹	2
63 ¹	1
70	2



9910-KIT2408 Valve Kit	
Ref. No.	Qty.
125	4
126	4



9910-KIT2409 O-Ring Kit	
Ref. No.	Qty.
5	1
22	5
33	4
36	1
48	1
53	1
70	1
126	4
127	1