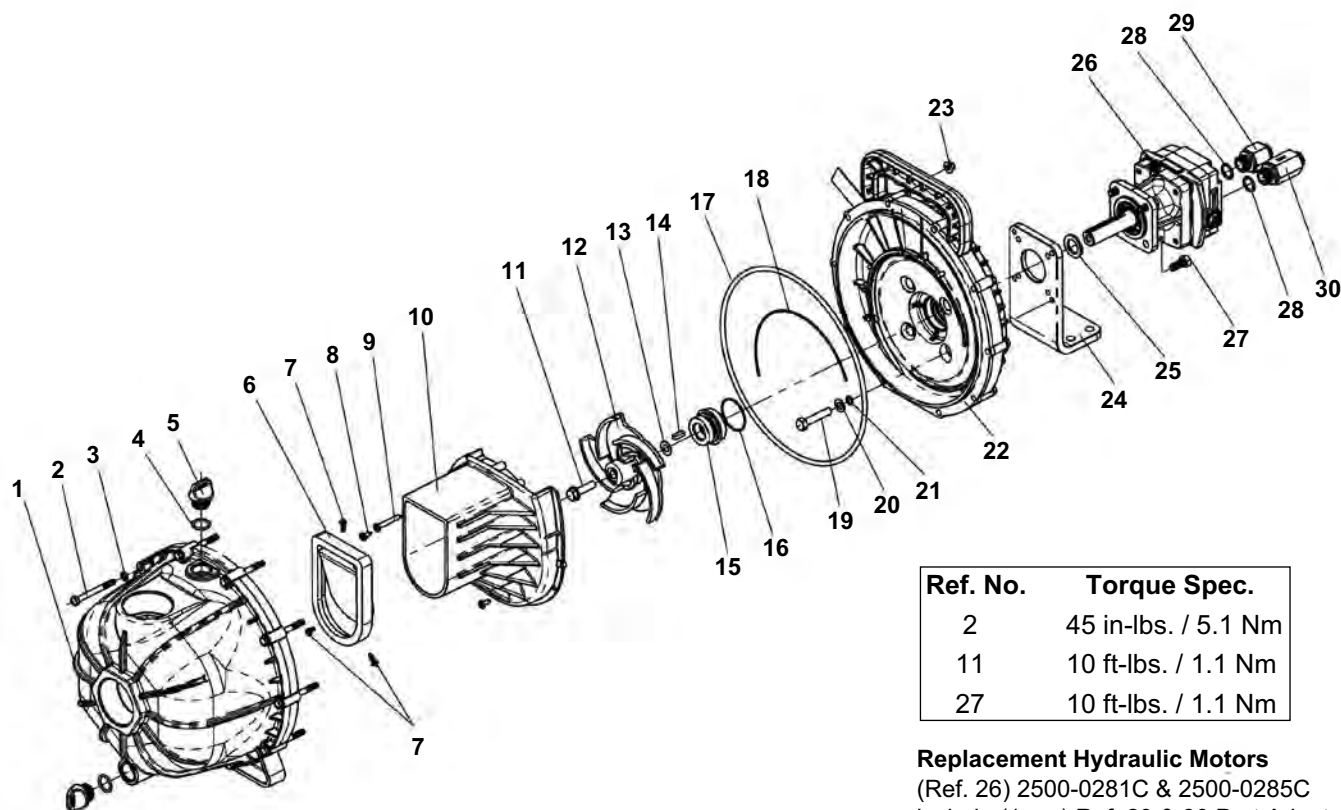


Model 9342P Parts Breakdown



Ref. No.	Torque Spec.
2	45 in-lbs. / 5.1 Nm
11	10 ft-lbs. / 1.1 Nm
27	10 ft-lbs. / 1.1 Nm

Replacement Hydraulic Motors

(Ref. 26) 2500-0281C & 2500-0285C include (1 ea.) Ref. 29 & 30 Port Adapters, (2) Ref. 28 O-rings, and (1) Ref. 14 Key.

Hydraulic Oil Seal Kit No. 3430-0749

Standard EPDM Seal Repair Kit 3430-0635 contains: (1) Ref. 18 Diffuser Gasket, (1) Ref. 17 Pump Body O-ring, (1) Ref. 16 Seal O-ring, (1) Ref. 15 Mechanical Seal, and (4) Ref. 21 O-rings.

Viton Seal Repair Kit 3430-0659 contains: (1) Ref. 6 Flapper Valve, (1) Ref. 15 Mechanical Seal, (1) Ref. 16 Seal O-ring, (1) Ref. 17 Pump Body O-ring, (1) Ref. 18 Diffuser Gasket, and (4) Ref. 21 O-rings.

Pump Head Kit 3430-0691 contains: all items shown above, less hydraulic motor and mounting hardware (items 1-23).

Ref. No.	Qty. Req'd.	Part No.	Description
1	1	0100-1540P	Pump Housing
2	10	2210-0141	Bolt
3	10	2270-0115	Washer
4	2	1720-0230	Plug O-ring
5	2	2404-0350P	Fill/Drain Plug
6	1	1700-0208	Flapper Valve
7	3	2210-0152	Flapper Screw
8	2	2210-0145	Diffuser Mounting Screw (short)
9	1	2210-0144	Diffuser Mounting Screw (long)
10	1	0150-1540P	Diffuser
11	1	2210-0142	Impeller Bolt (with washer)
12	1	0401-1540P	Impeller
13	1	1430-0033	Shim Washer
14	1	1610-0044	Key
15	1	2120-0044	Mechanical Seal

Ref. No.	Qty. Req'd.	Part No.	Description
16	1	1720-0231	Seal O-ring
17	1	1720-0244	Pump Body O-ring
18	1	1700-0209	Diffuser Gasket
19	4	2210-0177	Hex Head Bolt
20	4	2270-0114	Flat Washer
21	4	1720-0013	O-ring
22	1	0751-1540P	Pump Flange
23	10	2250-0087	Nut
24	1	1510-0109	Motor Bracket
25	1	1410-0083	Slinger Ring
26	1	2500-0285C	Hydraulic Motor (HM5C)
26	1	2500-0281C	Hydraulic Motor (HM1C)
27	4	2210-0004	Mounting Bolt
28	2	1720-0108	O-ring
29	1	3360-0021A	Pressure Port Adapter (includes o-ring)
30	1	3320-0049A	Tank Port Adapter (includes o-ring)