



HYPRO®

SPRAY PRODUCTS

9208 & 9308 Series Centrifugal Pumps

High-Flow Pedestal and Hydraulic-Driven Centrifugal Pump



FEATURES & BENEFITS:

- 5" SAE-flanged inlet x 4" SAE-flanged outlet
- 316 stainless steel impeller for superior corrosion resistance
- 9308 versions include a two-piece shaft design with a 416 stainless steel wet end and hardened 8620 drive end for extended life
- 9208 version includes a solid 416 stainless steel shaft for corrosion resistance
- The 9208 shaft diameter is 1.63" (41.3 mm) to allow direct coupling to electric motors
- Life Guard® silicon carbide seal for premium abrasion resistance and dry-run protection



The 9308 series centrifugal pump is designed to meet today's high volume spraying of corrosive chemicals in hydrostatic and non-hydrostatic drive systems.



The 9208 series centrifugal pump is designed to meet today's liquid fertilizer processing and water transfer needs.

9208 & 9308 Series Centrifugal Pumps

SPECIFICATIONS

9208C

RPM	20 PSI 1.4 BAR			40 PSI 2.8 BAR			60 PSI 4.1 BAR		
	LPM	GPM	HP	LPM	GPM	HP	LPM	GPM	HP
1750	2298	607	10.8	-	-	-	-	-	-
2500	4054	1071	32.3	3225	852	31.0	1794	474	24.4
2750	3982	1052	38.5	3888	1027	42.0	2983	788	38.2

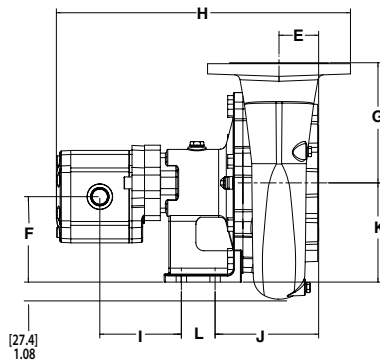
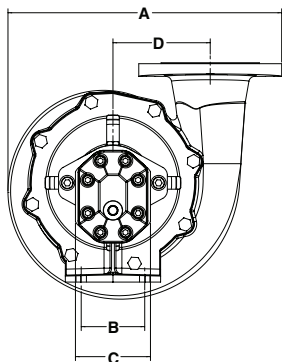
9308C-PM15

Hyd. Flow	10 PSI 0.7 BAR		20 PSI 1.4 BAR		30 PSI 2.1 BAR		40 PSI 2.8 BAR		50 PSI 3.5 BAR	
	LPM	GPM	LPM	GPM	LPM	GPM	LPM	GPM	LPM	GPM
8	1628	430	-	-	-	-	-	-	-	-
12	2483	656	2483	656	1575	416	-	-	-	-
16	3407	900	3407	900	3407	900	2945	778	2298	607

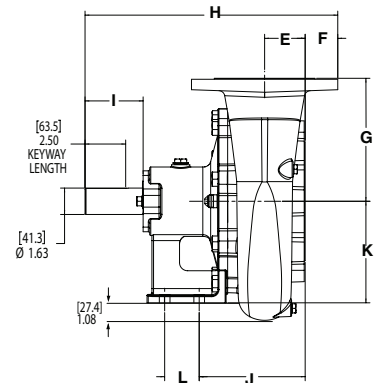
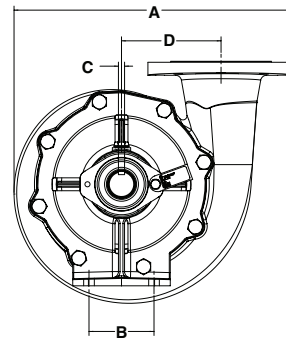
9308C-GM25

Hyd. Flow	20 PSI 1.4 BAR		30 PSI 2.1 BAR		40 PSI 2.8 BAR		50 PSI 3.5 BAR		60 PSI 4.1 BAR		70 PSI 4.8 BAR	
	LPM	GPM	LPM	GPM	LPM	GPM	LPM	GPM	LPM	GPM	LPM	GPM
17	1968	520	-	-	-	-	-	-	-	-	-	-
23	3134	828	3134	828	2525	667	1120	296	-	-	-	-
28	4081	1078	4081	1078	3653	965	3199	845	2525	667	1438	380

9308C-GM25 & -PM15



9208C



		A	B	C	D	E	F	G	H	I	J	K	L
9308C-GM25 DIMENSION	INCHES	17.24	4.00	4.72	6.13	2.50	5.38	7.57	18.52	5.13	6.52	6.25	2.13
	MM	437.83	101.60	120.00	155.58	63.38	136.70	192.28	470.44	130.43	165.61	158.75	53.98
9308C-PM15 DIMENSION	INCHES	17.24	4.00	4.50	6.13	2.50	8.90	7.57	19.36	7.61	6.52	6.25	2.13
	MM	437.83	101.60	114.30	155.58	63.38	226.06	192.28	491.74	193.29	165.61	158.75	53.98
9208C DIMENSION	INCHES	17.24	4.00	.38	6.13	2.50	2.00	7.57	15.55	3.57	6.52	6.25	2.13
	MM	437.83	101.60	9.58	155.58	63.38	50.92	192.28	394.90	90.78	165.61	158.75	53.98



375 Fifth Avenue NW • New Brighton, MN 55112
 Phone: (651) 766-6300 • 800-424-9776 • Fax: 800-323-6496
www.hydropumps.com