

Kit No. 3430-0343 (Universal)

For Series 6500, 7560 and 7700 Roller Pumps.

Consists of (8) Super Rollers,
(2) O-rings and (4) Viton Seals.**Form L-0174R****(7-07)****Kit No. 3430-0376**

For Series 7560 Roller Pumps.

Consists of (8) Super Rollers
and (1) O-ring.**Kit No. 3430-0384**

For Series 7700 Roller Pumps.

Consists of (7) Super Rollers,
(1) O-ring and (2) Viton Seals.**Kit No. 3430-0377**

For Series 7560 Roller Pumps.

Consists of (8) Super Rollers,
(1) O-ring and (2) Buna Seals.**Kit No. 3430-0385**

For Series 7700 Roller Pumps.

Consists of (7) Super Rollers and
(1) O-ring.**Kit No. 3430-0381**

For Series 7560 Roller Pumps.

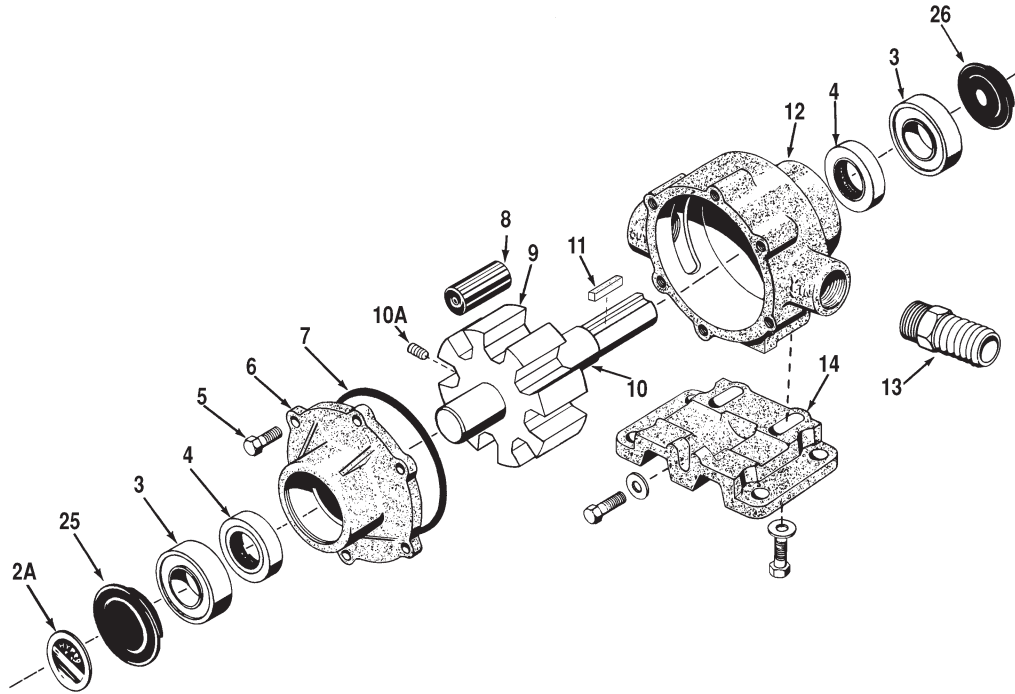
Consists of (8) Super Rollers,
(1) O-ring and (2) Viton Seals.**Kit No. 3430-0389**

For Series 7700 Roller Pumps.

Consists of (7) Super Rollers,
(1) O-ring and (2) Buna Seals.**GENERAL SAFETY INFORMATION**

1. Use a pressure relief device on the discharge side of the pump to prevent damage from pressure buildup when the pump discharge is blocked or otherwise closed and the power source is still running.
2. **WARNING: DO NOT pump flammable or explosive fluids such as gasoline, fuel oil, kerosene, etc. DO NOT use in explosive atmospheres. The pumps should be used only with liquids compatible with the pump component materials. Failure to follow this warning can result in personal injury and/or property damage and will void the product warranty.**
DO NOT pump acids (i.e. acid fertilizers) with Super Rollers! When pumping acidic fertilizer, Hypro recommends only the Silver Series castings and polypropylene or Teflon rollers, or use one of Hypro's poly centrifugal pumps. When using Teflon rollers, the maximum recommended operating pressure is 100 psi.
3. Be sure all exposed moving parts such as PTO shafts and adapters are properly shielded or guarded and that all coupling devices are securely attached before applying power.
4. Pumps mounted directly on to the PTO shaft or other power shaft must be prevented from rotating with the power shaft. Pump must float freely on the power shaft and must not be tied rigidly to equipment on which it is mounted.
5. **DO NOT EXCEED** recommended speed, pressure and temperature for the pump and equipment being used.
6. **BEFORE SERVICING**, disconnect all power, make sure all pressure in the system is relieved, drain all liquids from the system and flush.
7. Secure the discharge lines before starting the pump. An unsecured line may whip, causing personal injury and/or property damage.
8. Check hoses for weak or worn condition before each use. Make certain that all connections are tight and secure.
9. Periodically inspect the pump and the system components. Perform routine maintenance as required.
10. Protect the pump from freezing conditions by draining liquid and pumping rust inhibiting antifreeze solution through the system, coating the pump interior. When possible, plug ports before storing the pump for long periods of time.

Hypro Series 7560 and 7560XL



| Ref. No. | Qty. Req'd. | Part Number | Description |
|----------|-------------|-------------|--|
| 2A | 1 | 6031-0299 | Name Plate (specify pump model number) |
| 3 | 2 | 2008-0001 | Sealed Ball Bearing |
| 4 | 2 | 2112-0003 | Viton Seal (standard) |
| 4 | 2 | 2112-0001 | Buna-N Seal (optional) |
| 4 | 2 | 2103-0002 | Leather Seal (optional) |
| 5 | 6 | 2210-0004 | Bolt |
| 6 | 1 | 0204-7500C | Endplate (cast iron) w/seal |
| 6 | 1 | 0204-7500N | Endplate (Ni-Resist) w/seal |
| 6 | 1 | 0204-7500X | Endplate (SilverCast) w/seal |
| 7 | 1 | 1720-0014 | O-ring Gasket for endplate |
| 8 | 8 | 1005-0004 | Super Roller (standard) |
| 8 | 8 | 1002-0004 | Polypropylene Roller (opt.) |
| 8 | 8 | 1052-0004 | Buna-N Roller (optional) |
| 8 | 8 | 1055-0004 | Teflon Roller (optional) |

| Ref. No. | Qty. Req'd. | Part Number | Description |
|----------|-------------|---------------|--|
| 9 | 1 | 0308-7560C | Rotor (cast iron) with shaft |
| 9 | 1 | 0308-7560N | Rotor (Ni-Resist) with shaft |
| 9 | 1 | 0308-7560X | Rotor (SilverCast) with shaft |
| 10 | 1 | 0500-7400 | Shaft only |
| 10A | 1 | 2230-0003 | Set Screw |
| 10A | 1 | 2230-0007 | Set Screw (SilverCast only) |
| 11 | 1 | 1610-0005 | Key |
| 12 | 1 | 0104-7500C | Body (cast iron) with seal |
| 12 | 1 | 0104-7500N | Body (Ni-Resist) with seal |
| 12 | 1 | 0104-7500X | Body (SilverCast) with seal |
| 13 | 1 | 2404-0052 | 1" Hose Barb |
| 14 | 1 | kit 3420-0003 | Base Kit — Includes: (1) base, (3) bolts, and (3) washers |
| 25 | 1 | 2300-0020 | Bearing Cover |
| 26 | 1 | 2300-0022 | Shaft Bearing Cover |

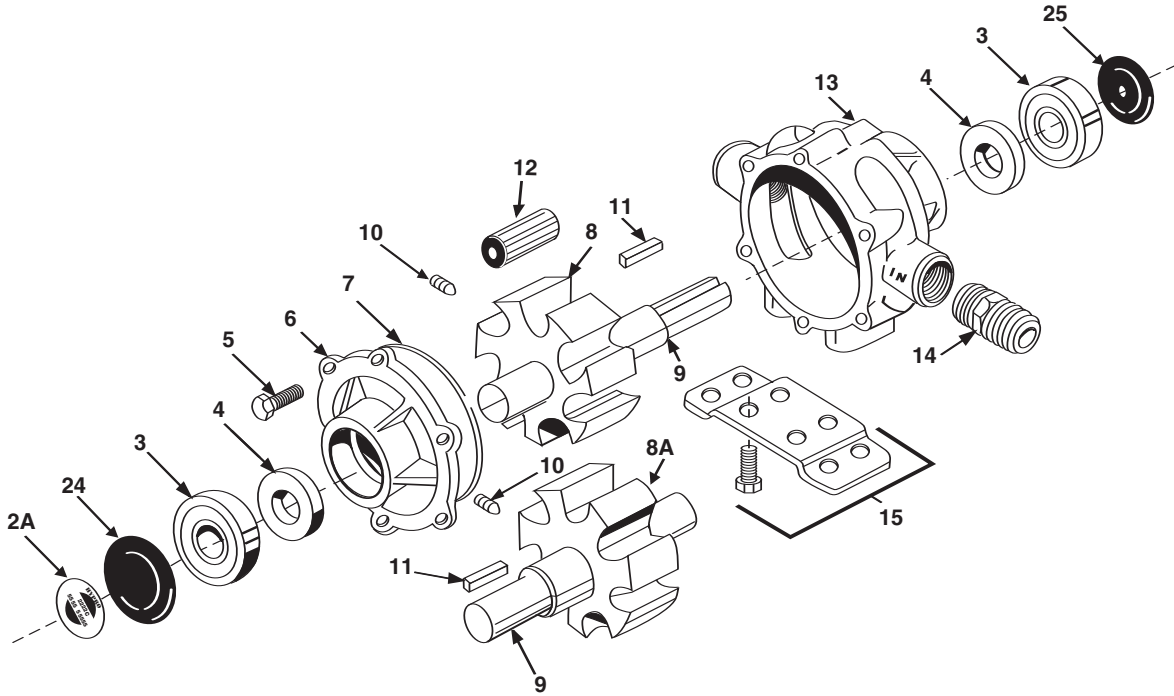
Available PTO Adapters for Series 7560 / 7560XL Female to Female (Not shown)

| Part Number | PTO (I.D.) | Splines | Material | RPM |
|-------------|------------|---------|--------------|------|
| 1320-0033 | 1-3/8" | 6 | die cast | 540 |
| 1320-0038 | 1-3/8" | 21 | die cast | 1000 |
| 1320-0054 | 3/4" | N/A | die cast | * |
| 1320-0076 | 1-3/8" | 6 | forged steel | 540 |
| 1320-0078 | 1-3/8" | 21 | forged steel | 1000 |
| 1320-0080 | 1-3/4" | 20 | forged steel | 1000 |

Available PTO Adapters for Series 7560 / 7560XL Female to Female (Not shown)

| Part Number | PTO (I.D.) | Splines | Material | RPM |
|-------------|------------|---------|--------------|----------|
| 1323-0072 | 1-3/8" | 6 | forged steel | 540 |
| 1323-0073 | 1-3/8" | 21 | forged steel | 1000 |
| 1323-0076 | 1-3/8" | 6/21 | forged steel | 540/1000 |
| 1321-0007 | 1-3/8" | 6 | die cast | 540 |
| 1321-0009 | 1-3/8" | 21 | die cast | 1000 |
| 1321-0013 | 1-3/8" | 6/21 | die cast | 540/1000 |

Hypro Series 7700 and 7700XL



| Ref. No. | Qty. Req'd. | Part Number | Description |
|----------|-------------|-------------|--|
| 2A | 1 | 6031-0299 | Name Plate (specify pump model number) |
| 3 | 2 | 2008-0001 | Sealed Ball Bearing |
| 4 | 2 | 2112-0003 | Viton Seal (standard) |
| 4 | 2 | 2112-0001 | Buna-N Seal (optional) |
| 4 | 2 | 2103-0002 | Leather Seal (optional) |
| 5 | 6 | 2210-0004 | Bolt |
| 6 | 1 | 0200-7700C | Endplate (cast iron) with seal |
| 6 | 1 | 0200-7700N | Endplate (Ni-Resist) with seal |
| 6 | 1 | 0200-7700X | Endplate (SilverCast) with seal |
| 7 | 1 | 1720-0014 | O-ring Gasket for endplate |
| 8 | 1 | 0300-7700C | Rotor (cast iron) w/shaft |
| 8 | 1 | 0300-7700N | Rotor (Ni-Resist) w/shaft |
| 8 | 1 | 0300-7700X | Rotor (SilverCast) w/shaft |
| 8A | 1 | 0301-7700C | Rotor (cast iron) w/shaft (reverse rotation) |
| 8A | 1 | 0301-7700N | Rotor (Ni-Resist) w/shaft (reverse rotation) |

| Ref. No. | Qty. Req'd. | Part Number | Description |
|----------|-------------|-------------|---|
| 8A | 1 | 0301-7700X | Rotor (SilverCast) w/shaft (reverse rotation) |
| 9 | 1 | 0500-7400 | Shaft only |
| 10 | 1 | 2230-0003 | Set Screw |
| 10 | 1 | 2230-0007 | Set Screw (SilverCast only) |
| 11 | 1 | 1610-0005 | Key |
| 12 | 7 | 1005-0004 | Super Roller (standard) |
| 12 | 7 | 1002-0004 | Polypropylene Roller (opt.) |
| 12 | 7 | 1052-0004 | Buna-N Roller (optional) |
| 12 | 7 | 1055-0004 | Teflon Roller (optional) |
| 13 | 1 | 0100-7700C | Body (cast iron) with seal |
| 13 | 1 | 0100-7700N | Body (Ni-Resist) with seal |
| 13 | 1 | 0100-7700X | Body (SilverCast) w/seal |
| 14 | 1 | 2404-0052 | 1" Hose Barb |
| 15 | 1 kit | 3420-0010 | Base Kit — Includes: (1) base and (4) bolts |
| 24 | 1 | 2300-0020 | Bearing Cover |
| 25 | 1 | 2300-0022 | Shaft Bearing Cover |

Available PTO Adapters for Series 7700 / 7700XL Female to Female (Not shown)

| Part Number (I.D.) | PTO | | | |
|--------------------|---------|----------------|-----|--|
| | Splines | Material | RPM | |
| 1320-0033 | 1-3/8" | 6 die cast | 540 | |
| 1320-0054 | 3/4" | N/A die cast | * | |
| 1320-0076 | 1-3/8" | 6 forged steel | 540 | |

Available PTO Adapters for Series 7560 / 7560XL Female to Female (Not shown)

| Part Number (I.D.) | PTO | | | |
|--------------------|---------|----------------|-----|--|
| | Splines | Material | RPM | |
| 1323-0072 | 1-3/8" | 6 forged steel | 540 | |
| 1321-0007 | 1-3/8" | 6 die cast | 540 | |

* Refer to the recommended pump rpm.

DISASSEMBLY AND ASSEMBLY INSTRUCTIONS

For more detailed information on the repair procedures for Hypro Roller Pumps, please refer to Hypro Form No. L-0100R that was shipped with your pump. If you do not have a copy of Form 100R and would like to get one, please call your local dealer or Hypro at (651) 766-6300 and ask for the Customer Service Representative for your area.

Pump Disassembly

1. Remove the adapter from the pump shaft.
2. File off any burrs on the pump shaft.
3. With a screwdriver or pocket knife, pry off bearing covers on the endplate and body.
4. Remove the endplate bolts.
5. Support the pump at ports in a support fixture with the endplate down. Place on press bed. Center the press on the pump shaft and apply pressure to press the pump apart. The shaft and rotor will remain with the endplate.
6. Remove the rollers and endplate o-ring seal. Replace rollers if worn, swollen or out-of-round. Inspect all parts for wear.
7. To remove the rotor with the shaft, place the endplate in the support fixture with the rotor down. Center the 3/8" bolt on the pump shaft and apply pressure to press the shaft out of the bearing.
8. With the endplate still in the support fixture, center the bearing support tool and slowly press the bearing out of the casting. Repeat the procedure to remove the bearing from the pump body.
9. Punch the seals out of the endplate and body with screwdriver and hammer. Discard seals.
4. Seat the o-ring in the groove. Make sure the o-ring stays in place by stretching if necessary.
5. Install the shaft rotor assembly by carefully pushing the short end of the shaft-rotor assembly through the shaft seal into the endplate. Place in the arbor press with the drive end of the shaft pointed down. Use the bearing support tool on top of the bearing and press the assembly together.
6. Remove the assembled portion from the arbor press and invert it on the press table with the bearing support tool underneath the bearing. Then place the rollers in roller slots as close to the center of rotor as possible. Place the pump body over the rotor and shaft, and carefully ease the end of the shaft past the lips of the seal in pump body. Center the bearing support tool with counter bored end down on inner race of ball bearing, and slowly press the pump body down to fit the endplate support on the inner race of the bearing.
7. Turn the pump over; line up the bolt holes and replace assembly bolts. Tighten the opposite bolt in a crossing pattern.
NOTE: After the bolts have been drawn up tight, check to see if the rotor is centered in the pump case. Try to turn the pump shaft, using a crescent wrench on the shaft as a lever.

Pump Re-Assembly

1. Carefully place the seal in the pump body, centering with the crimped side down. Press the seal to the bottom of the cavity.
 2. Put the bearing in position in the pump body and press into place supporting the outer bearing race.
 3. Repeat Steps 1 and 2 with endplate.
 8. If the pump turns hard:
Place the short brass rod (or hardwood dowel) against the end of the shaft. Center the rod on the shaft (not on the bearing). Tap lightly with a hammer. Try turning the shaft again.
 9. If this fails to center rotor to where it can be turned freely, tap the other end of the shaft, protecting it as above. When the shaft can be turned by hand—using the wrench as above—it is not binding.
-