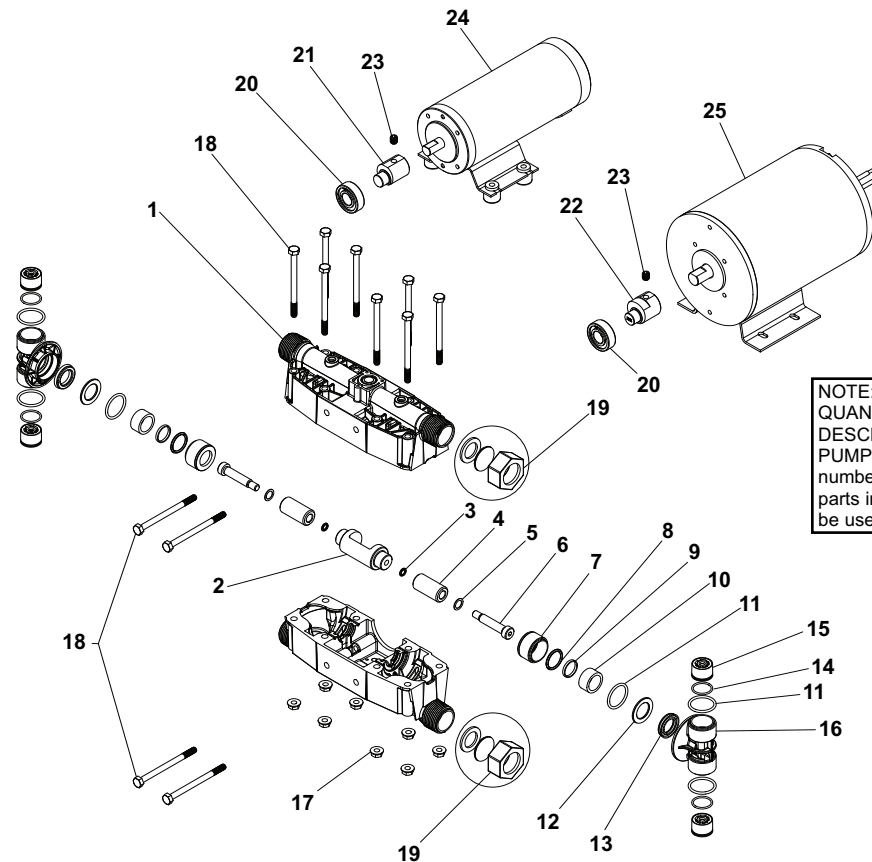


Parts Illustration

Models 2130P-D183, 2130P-D355, and 2130P-D359



NOTE: When ordering parts, give QUANTITY, PART NUMBER, DESCRIPTION, and COMPLETE PUMP MODEL NUMBER. Reference numbers are used ONLY to identify parts in the drawing and are NOT to be used as order numbers.

Plunger Packing Kit No. 3430-0631

Contains: Two Ref. 3 o-rings, two Ref. 5 washers, two Ref. 8 o-rings, two Ref. 9 seal rings, two Ref. 10 plunger guides, six Ref. 11 o-rings, and two Ref. 13 u-cup seals.

Plunger Kit No. 3430-0819

Contains one each: Ref. 3 o-ring, Ref. 4 plunger, and Ref. 5 washer.

Valve Kit No. 3430-0632

Contains four each: Ref. 11 o-rings, Ref. 14 o-rings, and Ref. 15 poppet valves.

Pump Head Kit 2130PX

Contains: Items 1 through 19

Eccentric Kit (.145") No. 3430-0651

Contains one each:

Ref. 20 Bearing, Ref. 21 Eccentric, and Ref. 23 Set Screw

Eccentric Kit (.175") No. 3430-0654

Contains one each:

Ref. 20 Bearing, Ref. 22A Eccentric, and Ref. 23 Set Screw

Eccentric Kit (.235") No. 3430-0820

Contains one each:

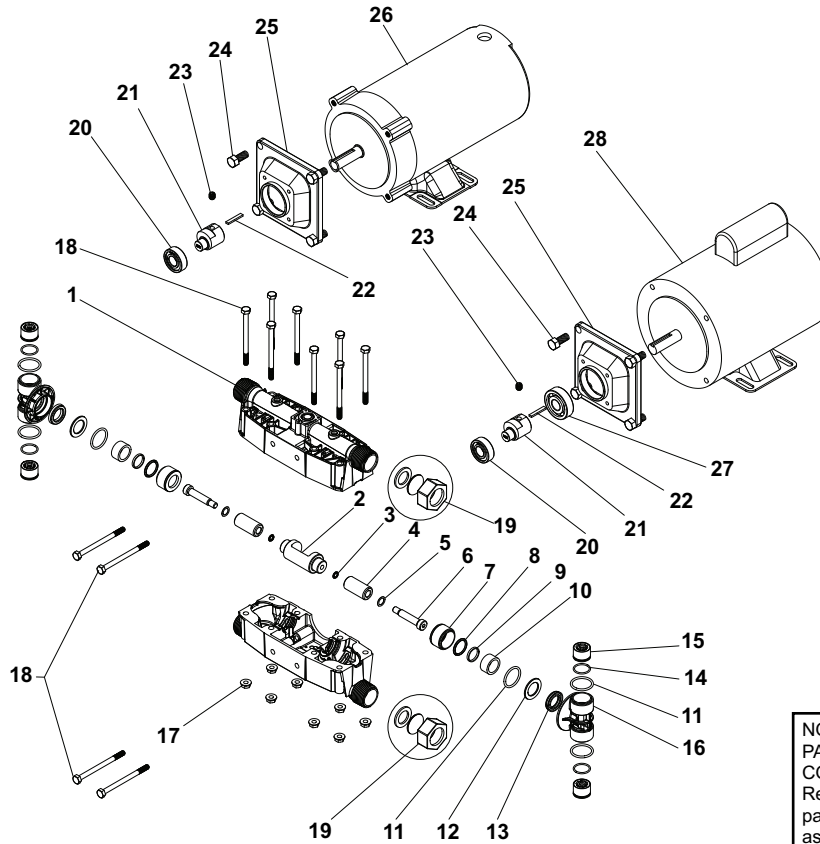
Ref. 20 Bearing, Ref. 22B Eccentric, and Ref. 23 Set Screw

Ref. No.	Qty. Req'd.	Part No.	Description
1	2	0102-2100P	Pump Body (Noryl GTX)
2	1	0500-2130	Connecting Rod
3	2	1720-0033	O-ring
4	2	3500-0070	Plunger
5	2	2270-0015	Washer
6	2	2220-0104	Shoulder Screw
7	2	1830-0171S	Guide Retainer
8	2	1720-0202	O-ring
9	2	1440-0010	Seal Ring
10	2	1440-0086	Plunger Guide
11	6	1721-0227	O-ring
12	2	2270-0095	Washer
13	2	2150-0091	U-Cup Seal

Ref. No.	Qty. Req'd.	Part No.	Description
14	4	1721-0007	O-ring
15	4	3400-0172	Poppet Valve
16	2	0717-2130P	Tee
17	8	2250-0077	Nut
18	12	2210-0137	Bolt
19	2	FNCAP-100N	End Cap Assembly
20	1	2000-0015	Bearing
21	1	0550-2145	Eccentric (.145") 2130P-D183
22A	1	0551-2175	Eccentric (.175") 2130P-D355
22B	1	0551-2235	Eccentric (.235") 2130P-D359
23	1	2230-0003	Set Screw
24	1	2570-0025	Electric Motor: 2130P-D183
25	1	2570-0026	Electric Motor: 2130P-D355, 2130P-D359

Parts Illustration

Models 2130P-A055, 2130P-A079, 2130P-D395, and 2130P-D399



NOTE: When ordering parts, give QUANTITY, PART NUMBER, DESCRIPTION, and COMPLETE PUMP MODEL NUMBER. Reference numbers are used ONLY to identify parts in the drawing and are NOT to be used as order numbers.

Plunger Packing Kit No. 3430-0631
 Contains: Two Ref. 3 o-rings, two Ref. 5 washers, two Ref. 8 o-rings, two Ref. 9 seal rings, two Ref. 10 plunger guides, six Ref. 11 o-rings, and two Ref. 13 u-cup seals.

Plunger Kit No. 3430-0819
 Contains one each: Ref. 3 o-ring, Ref. 4 plunger, and Ref. 5 washer.

Valve Kit No. 3430-0632
 Contains four each: Ref. 11 o-rings, Ref. 14 o-rings, and Ref. 15 poppet valves.

Pump Head Kit 2130PX
 Contains: Items 1 through 19

Eccentric Kit (.175") No. 3430-0654
 Contains one each:
 Ref. 20 Bearing, Ref. 21A Eccentric, Ref. 22 Key, and Ref. 23 Set Screw

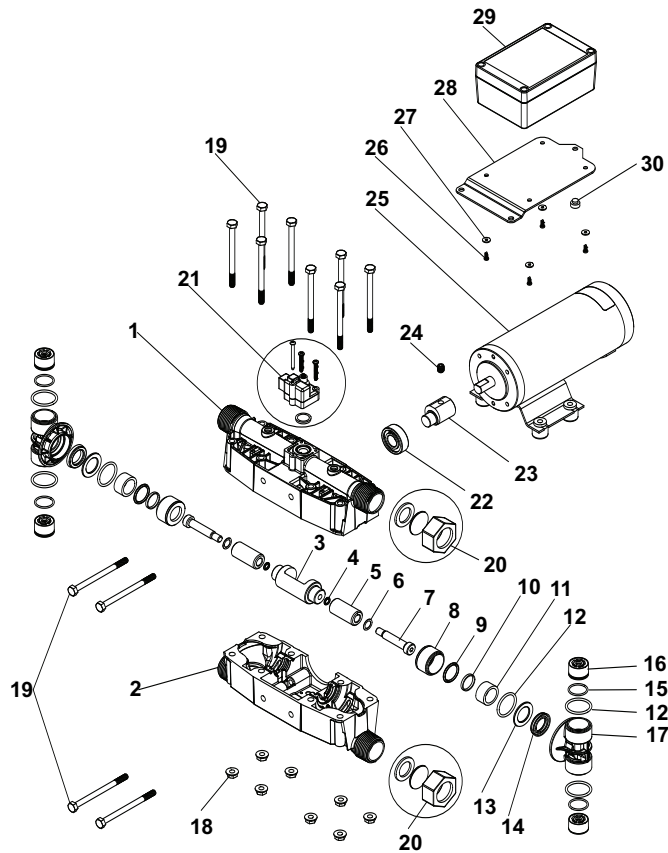
Eccentric Kit (.235") No. 3430-0820
 Contains one each:
 Ref. 20 Bearing, Ref. 21B Eccentric, Ref. 22 Key, and Ref. 23 Set Screw

Ref. No.	Qty. Req'd.	Part No.	Description
1	2	0102-2100P	Pump Body (Noryl GTX)
2	1	0500-2130	Connecting Rod
3	2	1720-0033	O-ring
4	2	3500-0070	Plunger
5	2	2270-0015	Washer
6	2	2220-0104	Shoulder Screw
7	2	1830-0171S	Guide Retainer
8	2	1720-0202	O-ring
9	2	1440-0010	Seal Ring
10	2	1440-0086	Plunger Guide
11	6	1721-0227	O-ring
12	2	2270-0095	Washer
13	2	2150-0091	U-Cup Seal
14	4	1721-0007	O-ring
15	4	3400-0172	Poppet Valve

Ref. No.	Qty. Req'd.	Part No.	Description
16	2	0717-2130P	Tee
17	8	2250-0077	Nut
18	12	2210-0137	Bolt
19	2	FNCAP-100N	End Cap Assembly
20	1	2000-0015	Bearing
21A	1	0551-2175	Eccentric (.175") for 2130P-D395, 2130P-A055
21B	1	0551-2235	Eccentric (.235") for 2130P-D399, 2130P-A079
22	1	1610-0061	Key
23	1	2230-0003	Set Screw
24	4	2210-0020	Bolt
25	1	0706-2100A	Flange Adapter
26	1	2570-0027	Electric Motor (DC): 2130P-D395, 2130P-D399
27	1	2000-0021	Ball Bearing: 2130P-A055, 2130P-A079
28	1	24878-SHU	Electric Motor (AC) 1/2 HP: 2130P-A055
	1	24876-SHU	Electric Motor (AC) 3/4 HP: 2130P-A079

Parts Illustration

Model 2132P-D183



NOTE: When ordering parts, give QUANTITY, PART NUMBER, DESCRIPTION, and COMPLETE PUMP MODEL NUMBER. Reference numbers are used ONLY to identify parts in the drawing and are NOT to be used as order numbers.

Plunger Packing Kit No. 3430-0631

Contains: Two Ref. 4 o-rings, two Ref. 6 washers, two Ref. 9 o-rings, two Ref. 10 seal rings, two Ref. 11 plunger guides, six Ref. 12 o-rings, and two Ref. 14 u-cup seals.

Plunger Kit No. 3430-0819

Contains one each: Ref. 4 o-ring, Ref. 5 plunger, and Ref. 6 washer.

Valve Kit No. 3430-0632

Contains four each: Ref. 12 o-rings, Ref. 15 o-rings, and Ref. 16 poppet valves.

Pump Head Kit 2132PX: 150-250 PSI Pressure Switch

Contains: Items 1 through 21

Eccentric Kit (.145") No. 3430-0651

Contains one each:

Ref. 22 Bearing, Ref. 23 Eccentric, and Ref. 24 Set Screw.

Enclosure Repair Kit No. 3430-0815 (20 amp)

Contains: Four Ref. 26 screws, four Ref. 27 washers, one Ref. 29 enclosure replacement kit 20A, two splice connectors, one shrink tubing, one relay, one circuit breaker, and one wire lead.

Relay Repair Kit No. 3430-0814

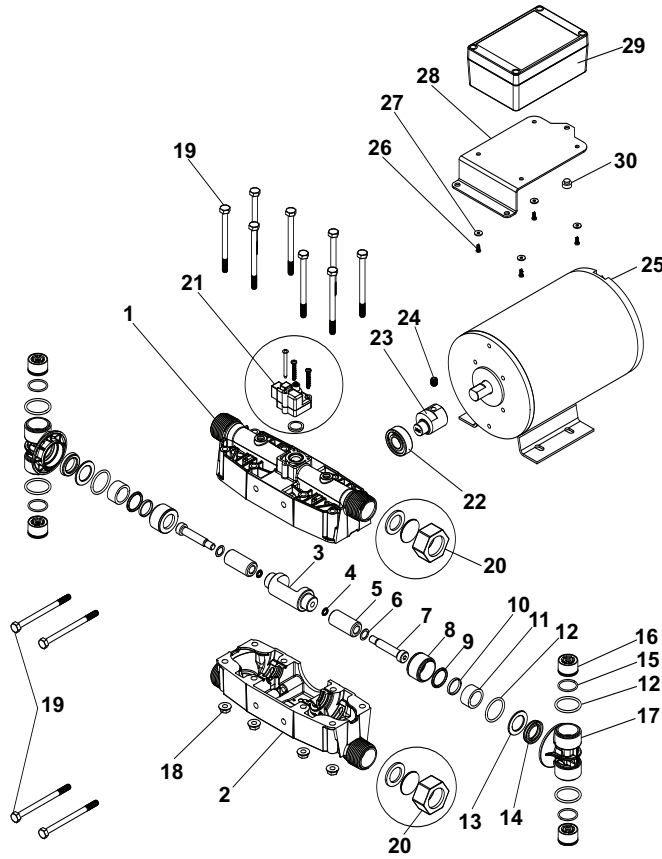
Contains one: Relay Assembly.

Ref. No.	Qty. Req'd.	Part No.	Description
1	1	0102-2101P	Upper Pump Body
2	1	0102-2100P	Lower Pump Body
3	1	0500-2130	Connecting Rod
4	2	1720-0033	O-ring
5	2	3500-0070	Plunger
6	2	2270-0015	Washer
7	2	2220-0104	Shoulder Screw
8	2	1830-0171S	Guide Retainer
9	2	1720-0202	O-ring
10	2	1440-0010	Seal Ring
11	2	1440-0086	Plunger Guide
12	6	1721-0227	O-ring
13	2	2270-0095	Washer
14	2	2150-0091	U-Cup Seal
15	4	1721-0007	O-ring

Ref. No.	Qty. Req'd.	Part No.	Description
16	4	3400-0172	Poppet Valve
17	2	0717-2130P	Tee
18	8	2250-0077	Nut
19	12	2210-0137	Bolt
20	2	FNCAP-100N	End Cap Assembly
21	1	3430-0817	Pressure Switch Kit 150-250 psi, -incl. diaphragm & screws
22	1	2000-0015	Bearing
23	1	0550-2145	Eccentric
24	1	2230-0003	Set Screw
25	1	2570-0025	Electric Motor
26	4	2200-0086	Screw
27	4	2270-0082	Washer
28	1	1520-0125	Bracket
29	1	3430-0815	Enclosure Replacement Kit 20A
30	1	2530-0182	Grommet

Parts Illustration

Models 2132P-D355, 2132P-D359, and 2133P-D355



NOTE: When ordering parts, give QUANTITY, PART NUMBER, DESCRIPTION, and COMPLETE PUMP MODEL NUMBER. Reference numbers are used ONLY to identify parts in the drawing and are NOT to be used as order numbers.

Plunger Packing Kit No. 3430-0631
 Contains: Two Ref. 4 o-rings, two Ref. 6 washers, two Ref. 9 o-rings, two Ref. 10 seal rings, two Ref. 11 plunger guides, six Ref. 12 o-rings, and two Ref. 14 u-cup seals.

Plunger Kit No. 3430-0819
 Contains one each: Ref. 4 o-ring, Ref. 5 plunger, and Ref. 6 washer.

Valve Kit No. 3430-0632
 Contains four each: Ref. 12 o-rings, Ref. 15 o-rings, and Ref. 16 poppet valves.

Pump Head Kit 2132PX: 150-250 PSI Pressure Switch
 Contains: Items 1 through 21A

Pump Head Kit 2133PX: 250-350 PSI Pressure Switch
 Contains: Items 1 through 21B

Eccentric Kit (.175") No. 3430-0654
 Contains one each:
 Ref. 22 Bearing, Ref. 23A Eccentric, and Ref. 24 Set Screw.

Eccentric Kit (.235") No. 3430-0820
 Contains one each:
 Ref. 22 Bearing, Ref. 23B Eccentric, and Ref. 24 Set Screw.

Enclosure Repair Kit No. 3430-0816 (40 amp)
 Contains: Four Ref. 26 screws, four Ref. 27 washers, one Ref. 29 enclosure replacement kit 40A, two splice connectors, one shrink tubing, one relay, one circuit breaker, and one wire lead.

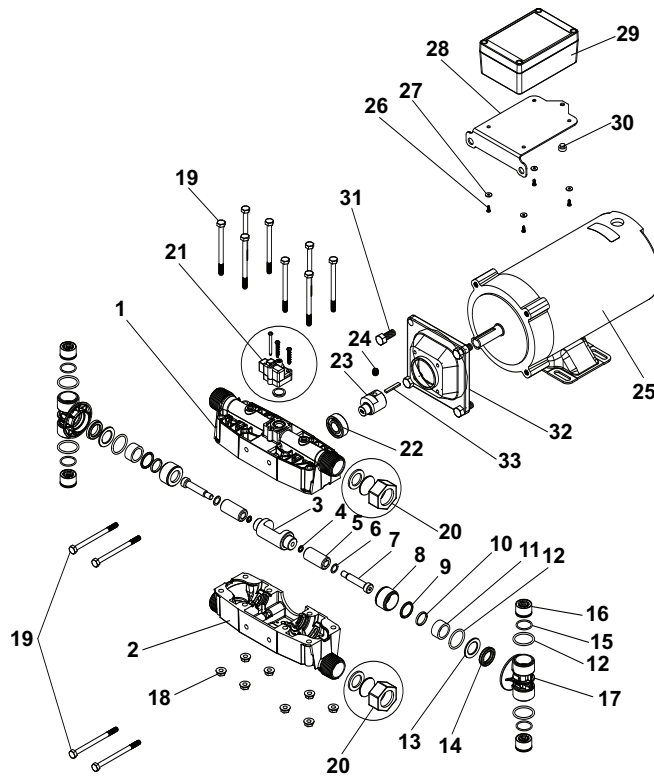
Relay Repair Kit No. 3430-0814
 Contains one: Relay Assembly.

Ref. No.	Qty. Req'd.	Part No.	Description
1	1	0102-2101P	Upper Pump Body
2	1	0102-2100P	Lower Pump Body
3	1	0500-2130	Connecting Rod
4	2	1720-0033	O-ring
5	2	3500-0070	Plunger
6	2	2270-0015	Washer
7	2	2220-0104	Shoulder Screw
8	2	1830-0171S	Guide Retainer
9	2	1720-0202	O-ring
10	2	1440-0010	Seal Ring
11	2	1440-0086	Plunger Guide
12	6	1721-0227	O-ring
13	2	2270-0095	Washer
14	2	2150-0091	U-Cup Seal
15	4	1721-0007	O-ring
16	4	3400-0172	Poppet Valve
17	2	0717-2130P	Tee

Ref. No.	Qty. Req'd.	Part No.	Description
18	8	2250-0077	Nut
19	12	2210-0137	Bolt
20	2	FNCAP-100N	End Cap Assembly
21A	1	3430-0817	Pressure Switch Kit: 150-250 psi -incl. diaphragm & screws
21B	1	3430-0818	Pressure Switch Kit: 250-350 psi -incl. diaphragm & screws
22	1	2000-0015	Bearing
23A	1	0551-2175	Eccentric (.175") for 2132P-D355, 2133P-D355
23B	1	0551-2235	Eccentric (.235") for 2132P-D359
24	1	2230-0003	Set Screw
25	1	2570-0026	Electric Motor (DC)
26	4	2200-0086	Screw
27	4	2270-0082	Washer
28	1	1520-0126	Bracket
29	1	3430-0816	Enclosure replacement kit 40A
30	1	2530-0182	Grommet

Parts Illustration

Models 2132P-D395, 2132P-D399, and 2133P-D395



NOTE: When ordering parts, give QUANTITY, PART NUMBER, DESCRIPTION, and COMPLETE PUMP MODEL NUMBER. Reference numbers are used ONLY to identify parts in the drawing and are NOT to be used as order numbers.

Plunger Packing Kit No. 3430-0631

Contains: Two Ref. 4 o-rings, two Ref. 6 washers, two Ref. 9 o-rings, two Ref. 10 seal rings, two Ref. 11 plunger guides, six Ref. 12 o-rings, and two Ref. 14 u-cup seals.

Plunger Kit No. 3430-0819

Contains one each: Ref. 4 o-ring, Ref. 5 plunger, and Ref. 6 washer.

Valve Kit No. 3430-0632

Contains four each: Ref. 12 o-rings, Ref. 15 o-rings, and Ref. 16 poppet valves.

Pump Head Kit 2132PX: 150-250 PSI Pressure Switch

Contains: Items 1 through 21A

Pump Head Kit 2133PX: 250-350 PSI Pressure Switch

Contains: Items 1 through 21B

Eccentric Kit (.175") No. 3430-0654

Contains one each:

Ref. 22 Bearing, Ref. 23A Eccentric, Ref. 24 Set Screw, and Ref. 33 Key.

Eccentric Kit (.235") No. 3430-0820

Contains one each:

Ref. 22 Bearing, Ref. 23B Eccentric, Ref. 24 Set Screw, and Ref. 33 Key.

Enclosure Repair Kit No. 3430-0816 (40 amp)

Contains: Four Ref. 26 screws, four Ref. 27 washers, one Ref. 29 enclosure replacement kit 40A, two splice connectors, one shrink tubing, one relay, one circuit breaker, and one wire lead.

Relay Repair Kit No. 3430-0814

Contains one: Relay Assembly.

Ref. No.	Qty. Req'd.	Part No.	Description
1	1	0102-2101P	Upper Pump Body
2	1	0102-2100P	Lower Pump Body
3	1	0500-2130	Connecting Rod
4	2	1720-0033	O-ring
5	2	3500-0070	Plunger
6	2	2270-0015	Washer
7	2	2220-0104	Shoulder Screw
8	2	1830-0171S	Guide Retainer
9	2	1720-0202	O-ring
10	2	1440-0010	Seal Ring
11	2	1440-0086	Plunger Guide
12	6	1721-0227	O-ring
13	2	2270-0095	Washer
14	2	2150-0091	Seal
15	4	1721-0007	O-ring
16	4	3400-0172	Poppet Valve
17	2	0717-2130P	Tee
18	8	2250-0077	Nut

Ref. No.	Qty. Req'd.	Part No.	Description
19	12	2210-0137	Bolt
20	2	FNCAP-100N	End Cap Assembly
21A	1	3430-0817	Pressure Switch Kit: 150-250 psi -incl. diaphragm & screws
21B	1	3430-0818	Pressure Switch Kit: 250-350 psi -incl. diaphragm & screws
22	1	2000-0015	Bearing
23A	1	0551-2175	Eccentric (.175") for 2132P-D395, 2133P-D395
23B	1	0551-2235	Eccentric (.235") for 2132P-D399
24	1	2230-0003	Set Screw
25	1	2570-0027	Electric Motor (DC)
26	4	2200-0086	Screw
27	4	2270-0082	Washer
28	1	1520-0127	Bracket
29	1	3430-0816	Enclosure replacement kit 40A
30	1	2530-0182	Grommet
31	4	2210-0020	Bolt
32	1	0706-2100A	Flange Adapter
33	1	1610-0061	Key