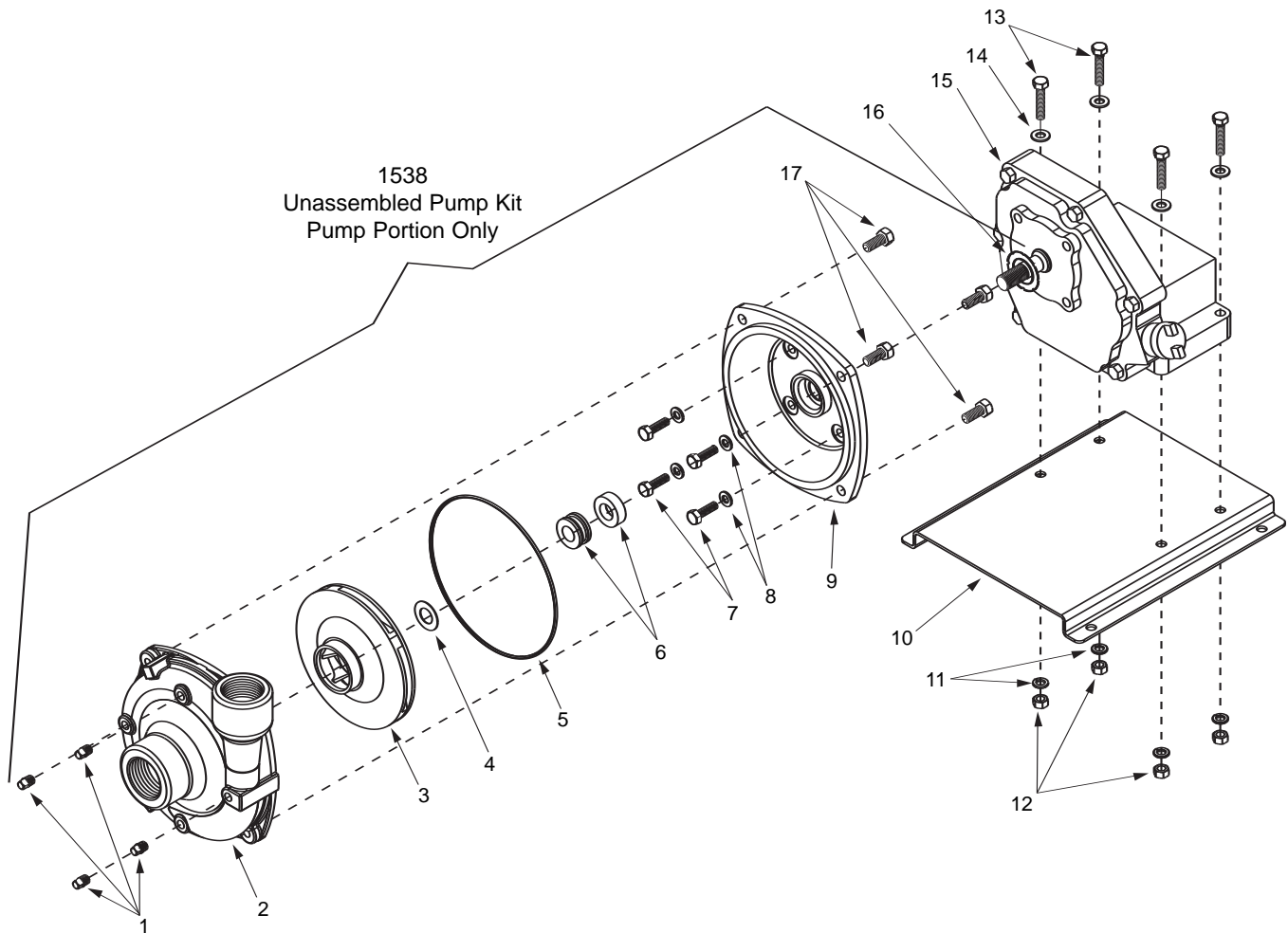


# Models 1521C-65, 1536, 1537, 1538, 1539 and 1540



Seal Kit for 1521, 1536 thru 1540  
(Std.) No. 3430-0332 consists of:

- (1) Ref. 4 Gasket
- (1) Ref. 5 O-Ring
- (1) Ref. 6 Mechanical Seal

Seal Kit for 1521, 1536 thru 1540  
(Opt.) No. 3430-0589 (Silicone Carbide) consists of:

- (1) Ref. 5 O-Ring
- (1) Ref. 6 Mechanical Seal

**Note:** When ordering parts, give quantity, part number, description and complete model number. Reference numbers are used ONLY to identify parts in the drawing and NOT to be used as order numbers.

Ref. No.	Qty. Req'd.	Part No.	Description
1	4	2406-0007	Drain Plug
2	1	0152-9000C	Pump Casing (includes SS wear ring)
3	1	0402-9200P	Impeller (Nylon)
4	1	1700-0100	Gasket
5	1	1720-0083	O-ring
6	1	2120-0009	Mechanical Seal - Viton
7	4	2210-0098	Bolt
8	4	1700-0119	Seal
9	1	0703-9200C	Flange
10	1	1510-0083	Mounting Plate
11	4	2260-0002	Lockwasher
12	4	2250-0003	Nut

Ref. No.	Qty. Req'd.	Part No.	Description
13	4	2210-0021	Bolt
14	4	2270-0040	Washer
15	1	2541-0033	Briggs & Stratton Engine (135232-0035-01)* (Model 1536 & 1539)
15	1	2541-0034	Honda Engine GX160K1 Type TX2* (Model 1537 & 1540)
15	1	2541-0046	PowerPro Engine - 6.5 HP
16	1	1410-0088	Bearing Shield (5 HP Briggs)
16	1	1410-0105	Bearing Shield (5.5 HP Briggs)
17	4	2210-0020	Bolt

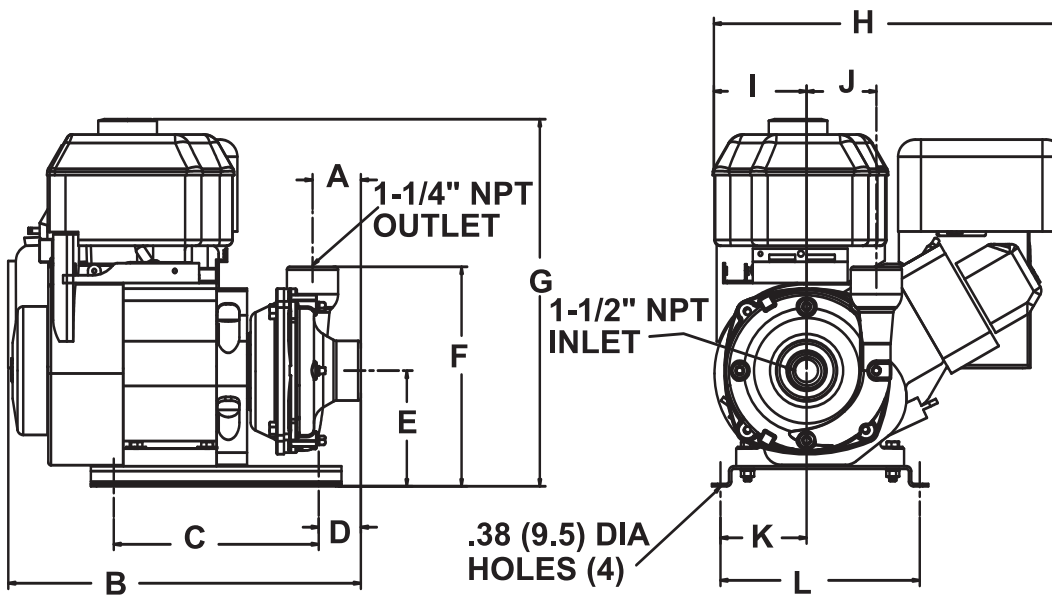
\*Contact the engine manufacturer for this product number.

1536 1539	GPM at	HP	GPM at	HP	GPM at	HP	GPM at	HP	GPM at	HP	GPM at	HP
	10 PSI		20 PSI		30 PSI		40 PSI		50 PSI		60 PSI	
	104	5.5	100	5.5	94	5.5	82	5.5	70	5.5	50	5.5

1536 1539	LPM at	HP	LPM at	HP	LPM at	HP	LPM at	HP	LPM at	HP	LPM at	HP
	0.7 BAR		1.4 BAR		2.1 BAR		2.8 BAR		3.4 BAR		4.1 BAR	
	394	5.5	379	5.5	356	5.5	310	5.5	265	5.5	189	5.5

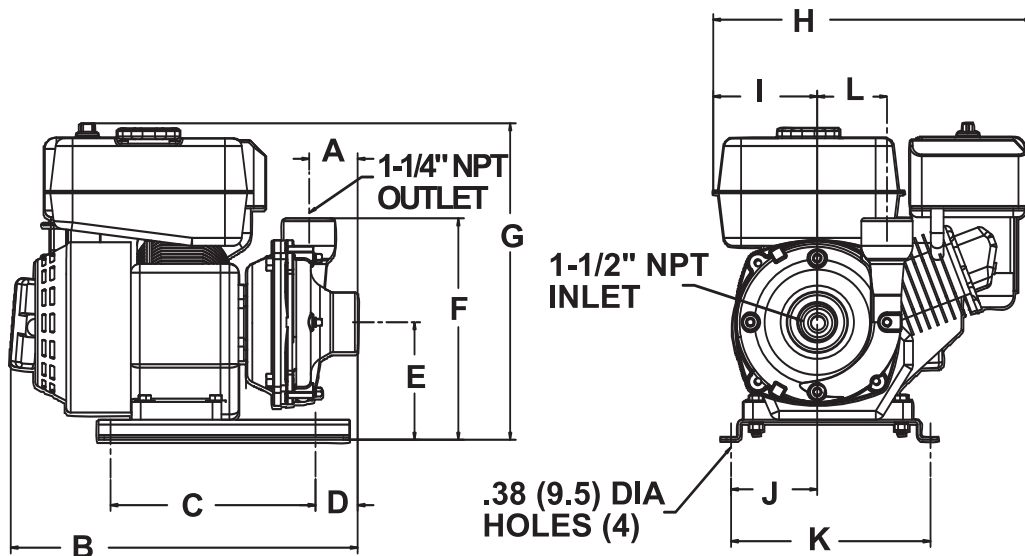
1537 1540	GPM at	HP	GPM at	HP	GPM at	HP	GPM at	HP	GPM at	HP	GPM at	HP	GPM at	HP
	10 PSI		20 PSI		30 PSI		40 PSI		50 PSI		60 PSI		70 PSI	
	110	5.5	106	5.5	96	5.5	88	5.5	80	5.5	60	5.5	60	5.5

1537 1540	LPM at	HP	LPM at	HP	LPM at	HP	LPM at	HP	LPM at	HP	LPM at	HP	LPM at	HP
	0.7 BAR		1.4 BAR		2.1 BAR		2.8 BAR		3.4 BAR		4.1 BAR		4.8 BAR	
	416	5.5	401	5.5	363	5.5	333	5.5	303	5.5	227	5.5	114	5.5



1536

Dimensions		
Inches	mm	
A	2.13	54.1
B	15.48	393.2
C	9.00	228.6
D	1.85	47.0
E	5.08	129.0
F	9.64	244.9
G	16.12	409.4
H	15.34	389.6
I	4.07	103.4
J	3.06	77.7
K	3.78	96.0
L	8.75	222.3



1537

Dimensions		
Inches	mm	
A	2.30	58.4
B	15.23	386.8
C	9.00	228.6
D	1.85	47.0
E	5.16	131.1
F	9.72	246.9
G	13.89	352.8
H	14.00	355.6
I	4.57	116.1
J	3.78	96.0
K	8.75	222.3
L	3.06	77.7