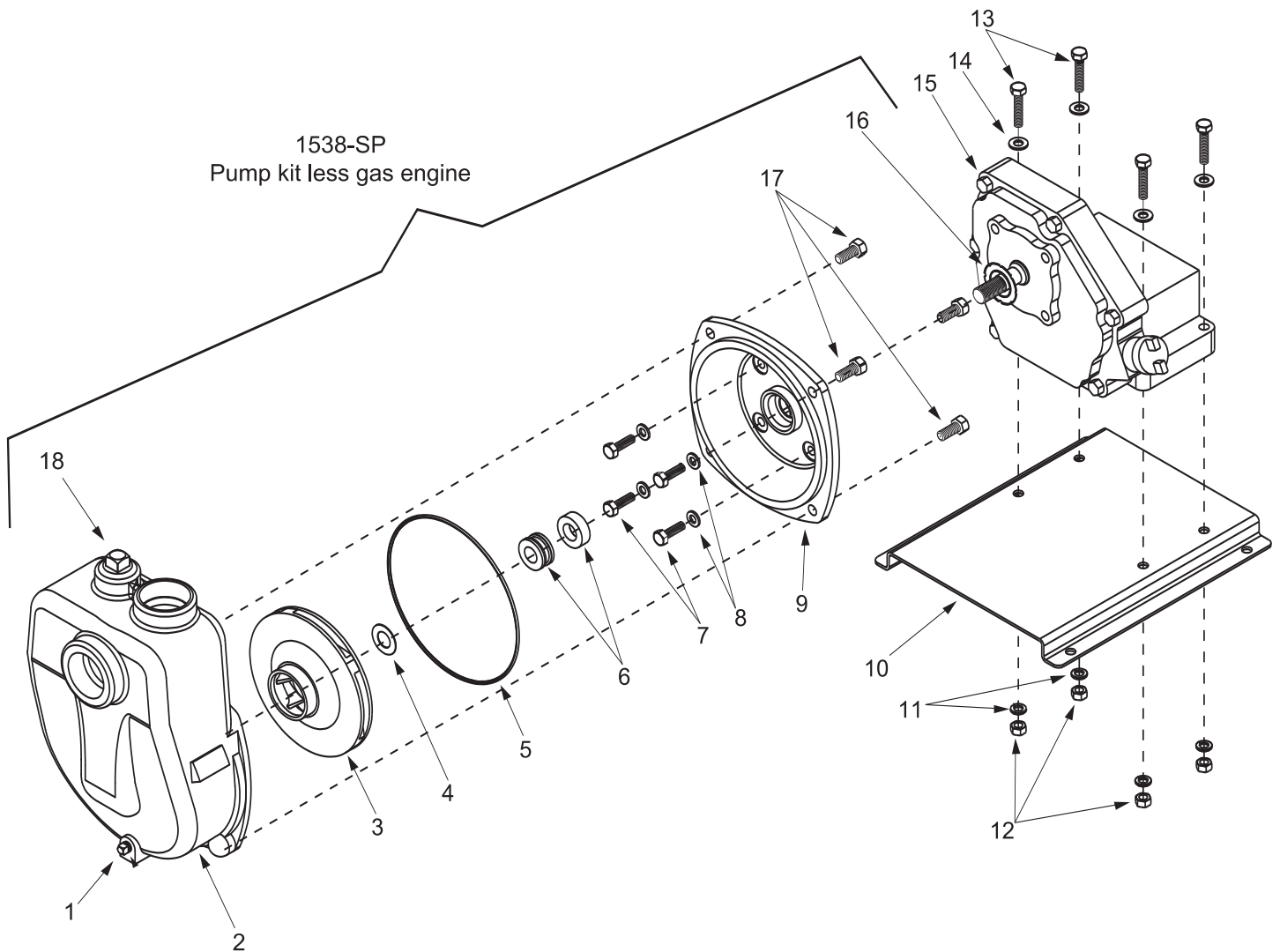


Models 1536-SP, 1537-SP, 1538-SP, 1539-SP, and 1540-SP



Seal Kit for 1536 thru 1540
(Std.) No. 3430-0332
consists of:
(1) Ref. 4 Gasket
(1) Ref. 5 O-ring
(1) Ref. 6 Mechanical Seal

Seal Kit for 1536 thru 1540
(Opt.) No. 3430-0589
(silicon carbide) consists of:
(1) Ref. 5 O-ring
(1) Ref. 6 Mechanical Seal

Note: When ordering parts, give quantity, part number, description and complete model number. Reference numbers are used ONLY to identify parts in the drawing and NOT to be used as order numbers.

Ref. No.	Qty. Req'd.	Part No.	Description
1	4	2406-0001	Drain Plug
2	1	0152-9070C	Pump Casing (with SS wear ring)
3	1	0402-9200P	Impeller (Nylon)
4	1	1700-0100	Gasket
5	1	1720-0083	O-ring
6	1	2120-0009	Mechanical Seal - Viton
7	4	2210-0098	Bolt
8	4	1700-0119	Seal
9	1	0703-9200C	Flange
10	1	1510-0083	Mounting Plate
11	4	2260-0002	Lock Washer
12	4	2250-0003	Nut

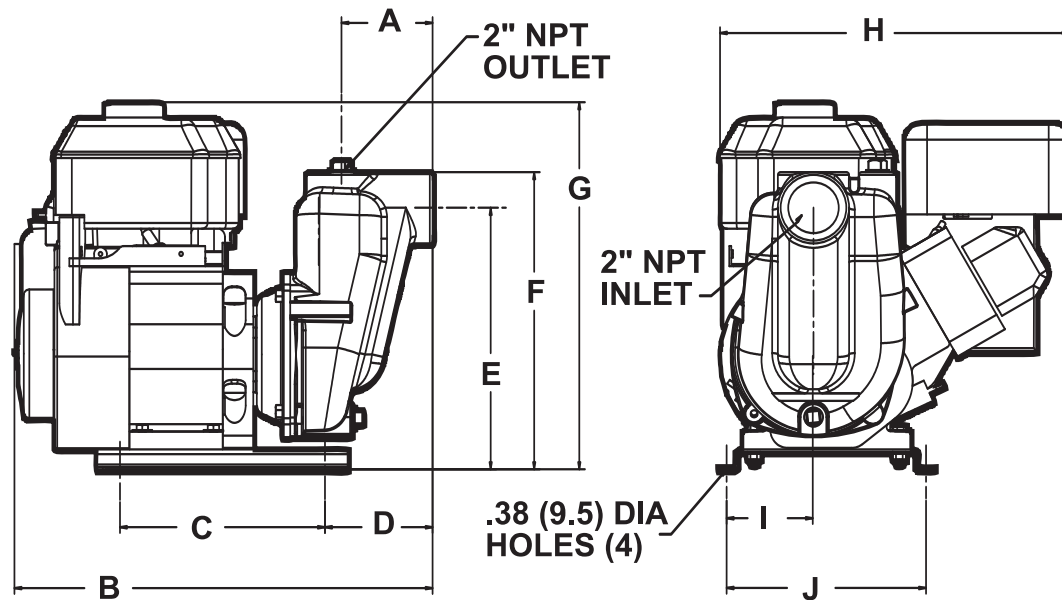
Ref. No.	Qty. Req'd.	Part No.	Description
13	4	2210-0021	Bolt
14	4	2270-0040	Washer
15	1	2541-0033 (135232-0035-01)*	Briggs & Stratton Engine (Model 1536 and 1539)
15	1	2541-0034 GX160K1 Type-TX2*	Honda Engine (Model 1537)
16	1	1410-0088	Bearing Shield (5 HP Briggs)
16	1	1410-0105	Bearing Shield (5.5 HP Briggs)
17	4	2210-0020	Bolt
18	1	2406-0002	Prime Port Plug

1536-SP, 1539-SP		5.5 HP Briggs & Stratton				English Standard	
GPM at 10 PSI	GPM at 20PSI	GPM at 30 PSI	GPM at 40 PSI	GPM at 50 PSI	GPM at 60 PSI	GPM at 70 PSI	
92	81	67	55	40	15		

1536-SP, 1539-SP		5.5 HP Briggs & Stratton				Metric	
LPM at 0.7 BAR	LPM at 1.4 BAR	LPM at 2.1 BAR	LPM at 2.8 BAR	LPM at 3.4 BAR	LPM at 4.1 BAR	LPM at 4.8 BAR	
348	307	254	208	151	57		

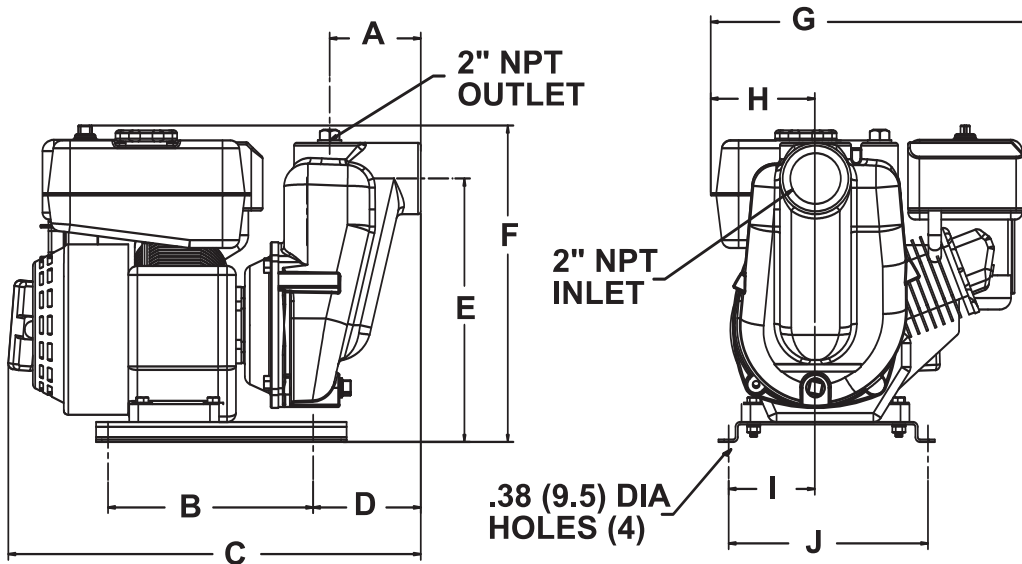
1537-SP, 1540-SP		5.5 HP Honda				English Standard	
GPM at 10 PSI	GPM at 20 PSI	GPM at 30 PSI	GPM at 40 PSI	GPM at 50 PSI	GPM at 60 PSI	GPM at 70 PSI	
98	87	73	60	44	21		

1537-SP, 1540-SP		5.5 HP Honda				Metric	
LPM at 0.7 BAR	LPM at 1.4 BAR	LPM at 2.1 BAR	LPM at 2.8 BAR	LPM at 3.4 BAR	LPM at 4.1 BAR	LPM at 4.8 BAR	
371	329	276	227	167	79		



1536-SP, 1539-SP

Dimensions		
	Inches	mm
A	4.00	101.6
B	18.36	466.3
C	9.00	228.6
D	4.73	120.1
E	11.48	291.6
F	13.05	331.5
G	16.12	409.4
H	15.34	389.6
I	3.78	96.0
J	8.75	222.3



1537-SP, 1540-SP

Dimensions		
	Inches	mm
A	4.00	101.6
B	9.00	228.6
C	18.10	459.7
D	4.73	120.1
E	11.57	293.9
F	13.89	352.8
G	14.00	355.6
H	4.57	116.1
I	3.78	96.0
J	8.75	222.3