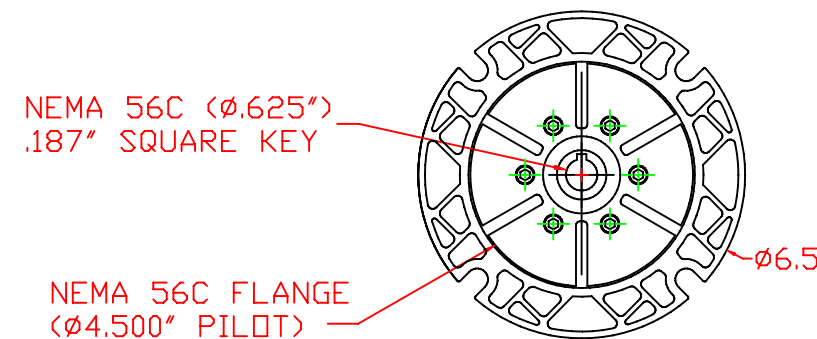
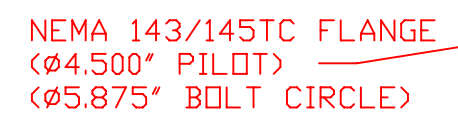
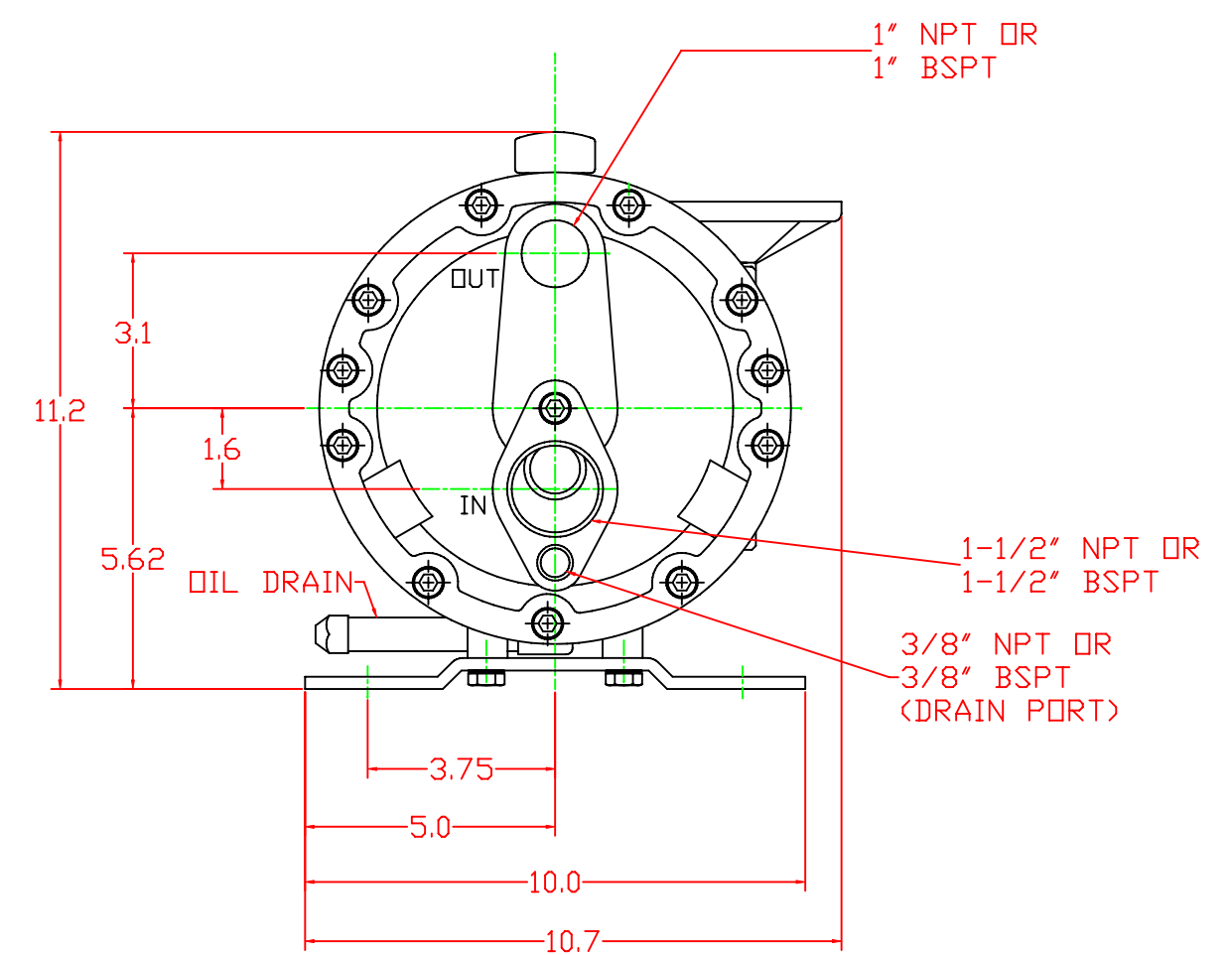
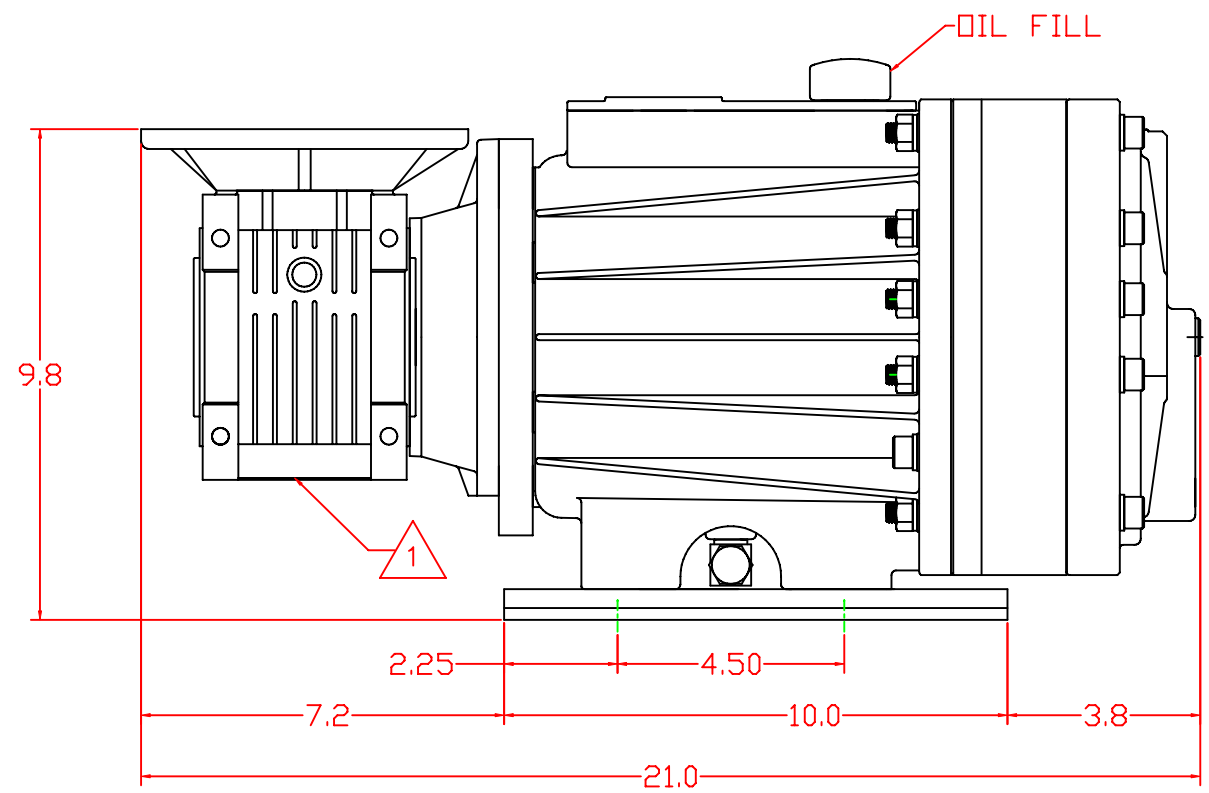
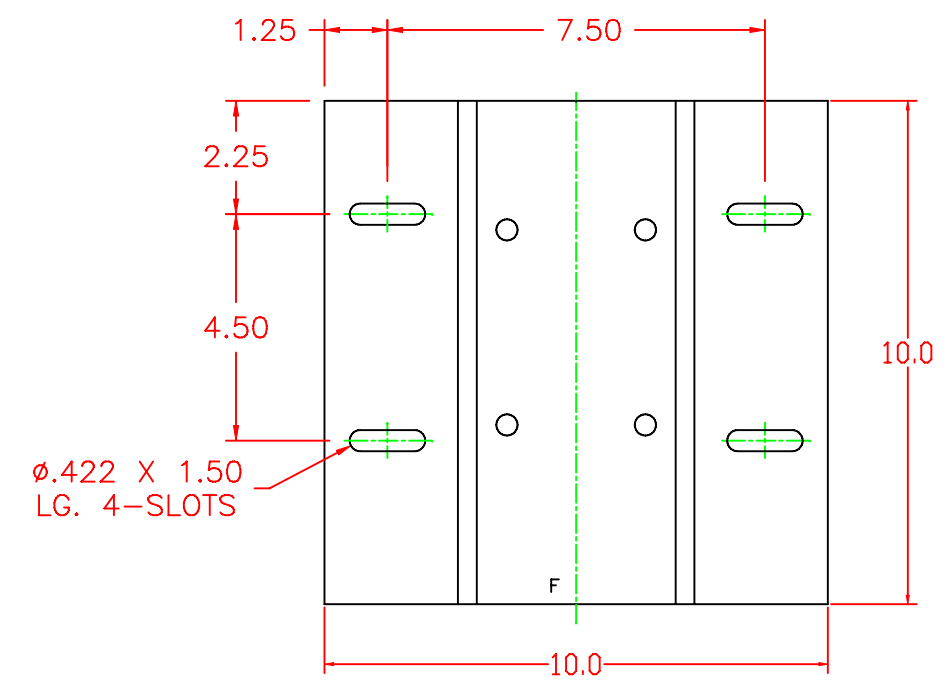


NEMA 143/145TC FLANGE/SHAFT



NEMA 56C FLANGE/SHAFT



NOTES:

- WORM GEAR REDUCER AVAILABLE IN THE FOLLOWING RATIO'S:
 - WITH NEMA 56C FLANGE/SHAFT (20:1, 25:1, 30:1, 40:1, 50:1, 60:1, 80:1, 100:1).
 - WITH NEMA 143/145TC FLANGE/SHAFT (10:1, 15:1, 20:1, 25:1, 30:1, 40:1).

2. WEIGHT = 141 LBS (64 KG) - DOES NOT INCLUDE MOTOR.

UNLESS OTHERWISE SPECIFIED		TOL UNLESS NOTED		DWN 05-30-06 JJH		MAT'L PUMPING HEAD AVAILABLE IN 316 SST OR HASTELLOY C	
- ALL DIMENSIONS ARE IN INCHES.		.X = $\pm .020$		CHK'D		WANNER ENGINEERING INC	
- DRAWING MAY NOT BE TO SCALE		.XX = $\pm .010$		APP'D		1204 CHESTNUT AVE. MPLS, MN 55403	
- ALL DIMENSIONS APPLY AFTER PLATING, COATING AND HEAT TREATING, BUT BEFORE PAINTING.		.XXX = $\pm .005$		USED ON:		TITLE	
- REMOVE ALL BURRS, BREAK ALL SHARP EDGES AND CORNERS		ANGLES = $\pm .50^\circ$		SHEET 1 OF 1		DIMENSIONAL DWG, P600	
PROPRIETARY STATEMENT		FINISH: 125 RMS		SCALE 1:2		DWG NO	
This document contains confidential and proprietary information and is not to be reproduced or the information contained therein disclosed to others without consent, in writing, from WANNER ENGINEERING INC.		Δ		FORM DBLK		P600-DIM-METAL A	