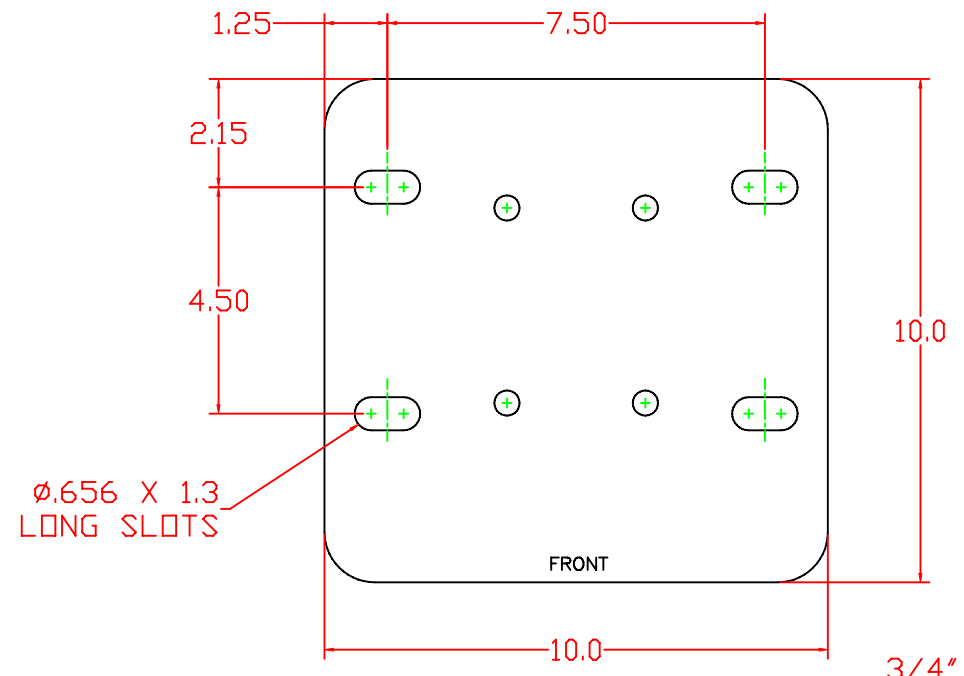
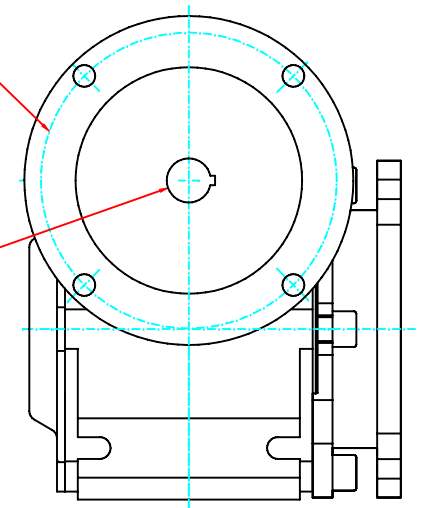
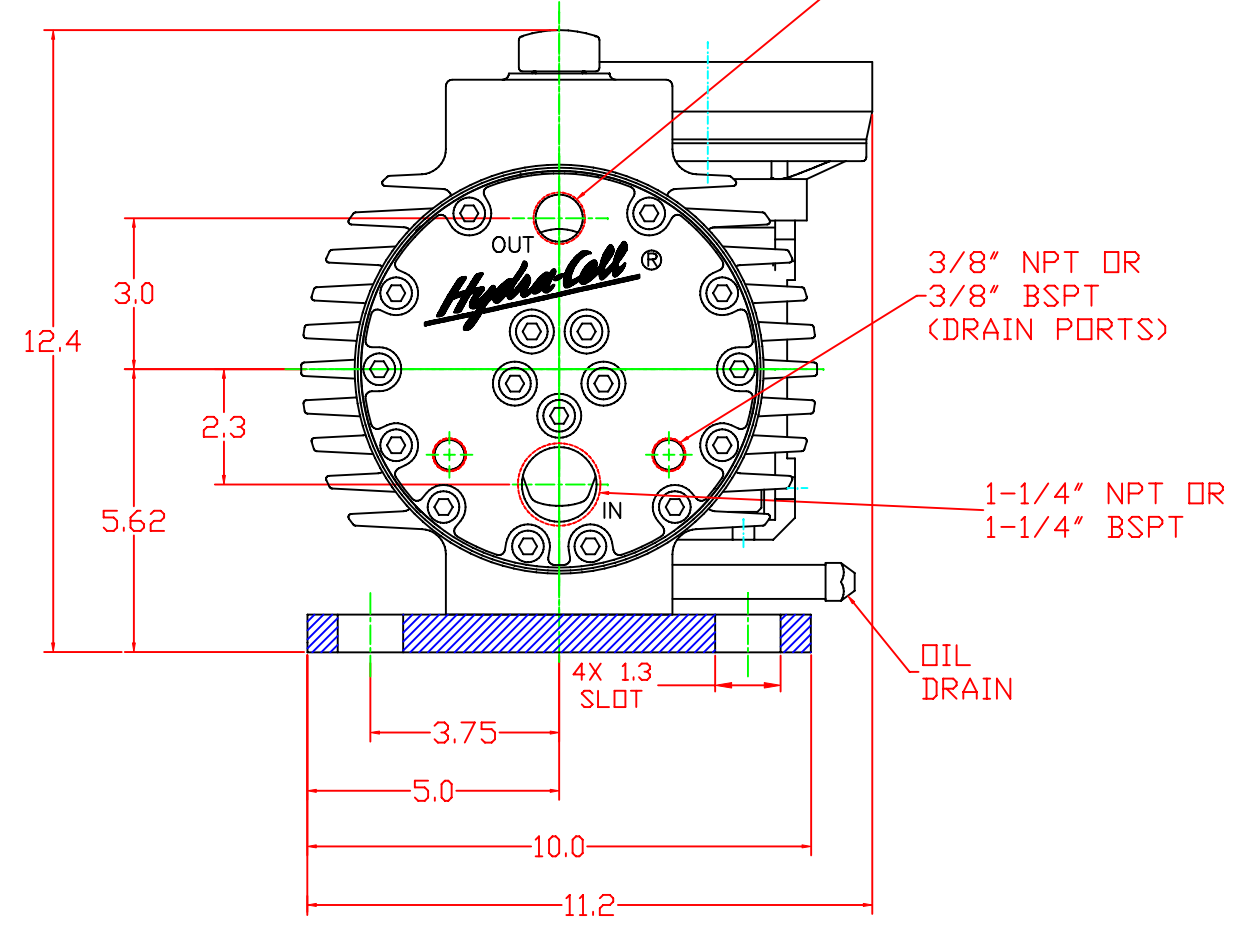
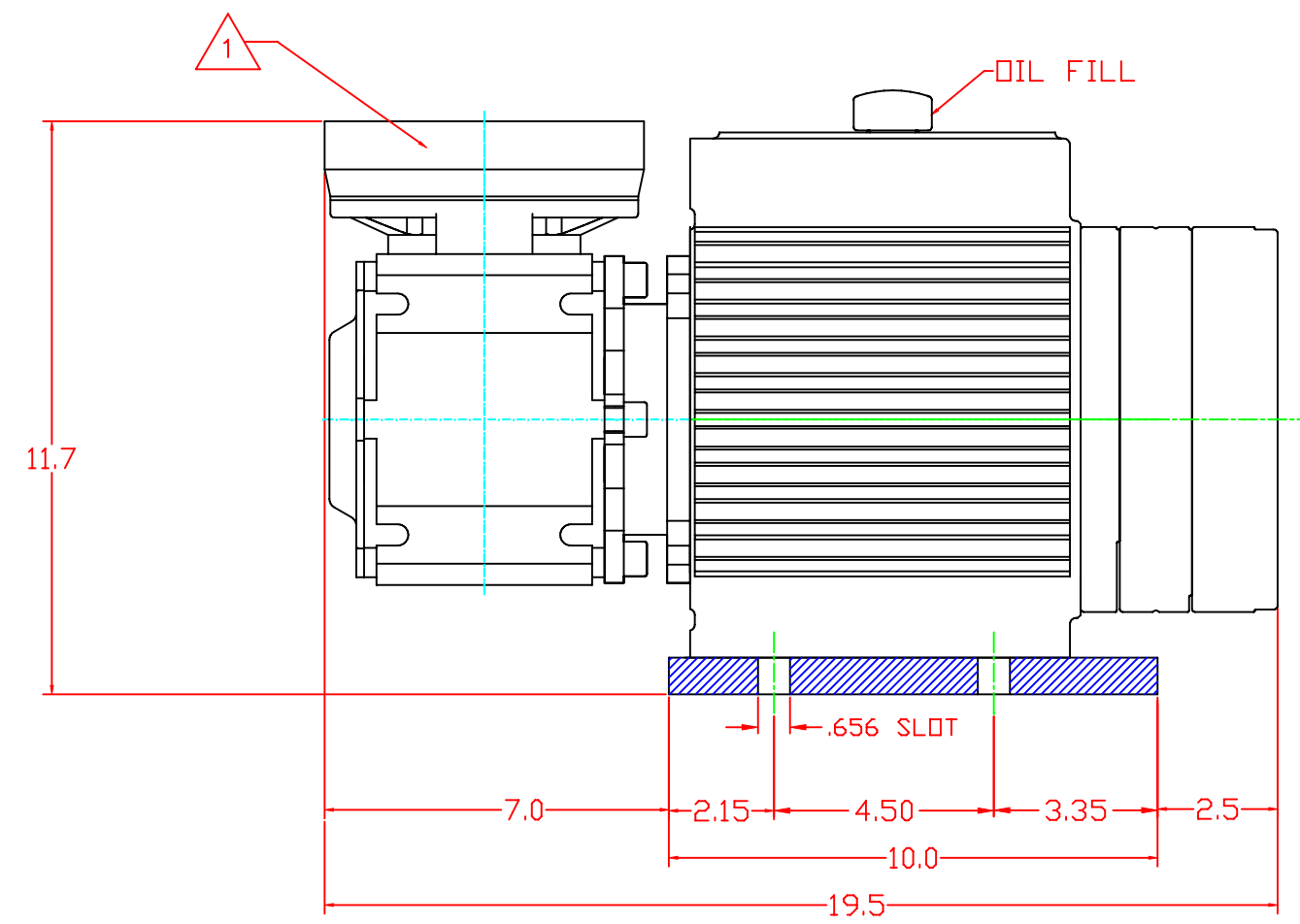


NEMA 143/5TC FLANGE
 Ø4.500 PILOT
 Ø5.875 BOLT CIRCLE

NEMA 143/5TC
 Ø.875
 0.187 SQUARE KEY



3/4" NPT OR
 3/4" BSPT



3/8" NPT OR
 3/8" BSPT
 (DRAIN PORTS)

1-1/4" NPT OR
 1-1/4" BSPT

OIL DRAIN

NOTES:

- WORM GEAR REDUCER AVAILABLE IN THE FOLLOWING RATIO'S:
 - 5:1, 7.5:1
- WEIGHT = 180 LBS (82 KG) - DOES NOT INCLUDE MOTOR.

UNLESS OTHERWISE SPECIFIED		MAT'L PUMPING HEAD AVAILABLE IN 316 SST OR HASTELLOY C	
- ALL DIMENSIONS ARE IN INCHES.		TOL UNLESS NOTED	DWN 05-30-06 JJH
- DRAWING MAY NOT BE TO SCALE		.X = ± .020	CHK'D
- ALL DIMENSIONS APPLY AFTER PLATING, COATING AND HEAT TREATING, BUT BEFORE PAINTING.		.XX = ± .010	APP'D
- REMOVE ALL BURRS, BREAK ALL SHARP EDGES AND CORNERS		.XXX = ± .005	USED ON:
PROPRIETARY STATEMENT		ANGLES = ± .50°	
This document contains confidential and proprietary information and is not to be reproduced or the information contained therein disclosed to others without consent, in writing, from WANNER ENGINEERING INC.		FINISH: 125 RMS	SHEET 1 OF 1
		SCALE 1:2	FORM DBLK
WANNER ENGINEERING INC 1204 CHESTNUT AVE. MPLS, MN 55403			SIZE D
TITLE DIM DWG, P500, FB75, 140TC			REV. A
DWG NO P500-DIM-METAL-FB75-140TC			