



ELECTRONIC PRECISION METERING

P200 Pump Series

Pump Specifications

Hydraulic Configuration	Triplex
Flow Control	Electronic variable speed drive
Steady State Accuracy	± 1.0%
Max Discharge Pressure	
Metallic Head:	1000 PSI (70 bar)
Non-Metallic Head:	Polypropylene: 250 PSI (17 bar) Kynar: 350 PSI (24 bar)
Max Inlet Pressure	250 PSI (17 bar)
Max Temperature	
Metallic Heads:	250°F (121°C)
Non-Metallic Heads:	140°F (60°C)
Inlet Port	1/2 inch NPT, BSPT
Discharge Port	3/8 inch NPT, BSPT
Weight (less motor)	
Metallic Head:	39 lbs (17.7 kg)
Non-Metallic Head:	30 lbs (13.6 kg)



Maximum Capacity* (Gallons per Hour)

Motor RPM	Gear Ratio	Pump RPM	Metallic and Non-Metallic Head		Metallic Head Only	
			100 PSI (7 bar)	250 PSI (17 bar)	500 PSI (35 bar)	1000 PSI (70 bar)
1800	100:1	18	1.70	1.60	1.40	0.90
	80:1	22.5	2.25	2.10	1.90	1.35
	60:1	30	3.00	2.80	2.60	2.00
	50:1	36	3.60	3.40	3.15	2.50
	40:1	45	4.75	4.45	4.15	3.40
	30:1	60	6.45	6.15	5.75	4.85
	25:1	72	7.60	7.30	6.90	6.00
	20:1	90	9.70	9.40	8.95	8.00
	15:1	120	13.00	12.70	12.25	11.30
	10:1	180	20.00	19.65	19.10	18.00
	7.5:1	240	26.50	26.10	25.50	24.00
5:1	360	40.00	39.60	39.00	37.00	
3600	7.5:1	480	53.80	53.40	52.80	50.20
	5:1	720	80.80	80.10	79.20	75.50

* Capacity data for pumps with elastomeric diaphragms. Consult factory for performance characteristics of pumps with PTFE diaphragms.

Required Motor HP	
1/4	3/4
1/2	1

P200 Pump Series



P200 Pump Ordering Information

A complete pump order number contains thirteen characters based on the specified pump materials listed below.

Pump Model Size (Digits 1-4)

P200 For all P200 Pumps

Pump Version (Digit 5)

N NPT ports
M Metric (BSPT) ports

Pump Head Material (Digit 6)

M Kynar®
P Polypropylene
S 316 Stainless Steel
T Hastelloy® C

Diaphragm & O-ring Material (Digit 7)

E EPDM
G Viton®-XT
J PTFE
P Neoprene
T Buna-N-XS

Check Valve Material (Digits 8-9) (Valve Spring / Valve & Seat)

SS 316 SST / 316 SST
TT Hastelloy® C / Hastelloy® C
SC 316 SST / Ceramic
TC Hastelloy® C / Ceramic

Gearbox Ratio (Digits 10-12)

100 100:1
080 80:1
060 60:1
050 50:1
040 40:1
030 30:1
025 25:1
020 20:1
015 15:1
010 10:1
007 7.5:1
005 5:1

Base Plate (Digit 13)

C Carbon Steel (painted)
S Stainless Steel

Motors

Description	Model Number
1800 RPM, 3Ø, 230 VAC, 56C TENV 1000 : 1 Turndown	
1/4 HP.....	M25TE18-3P56C
1/2 HP.....	M50TE18-3P56C
3600 RPM, 3Ø, 230 VAC, 56C TEFC 2 : 1 Turndown	
1 HP.....	M100TE36-3P56C

Controllers

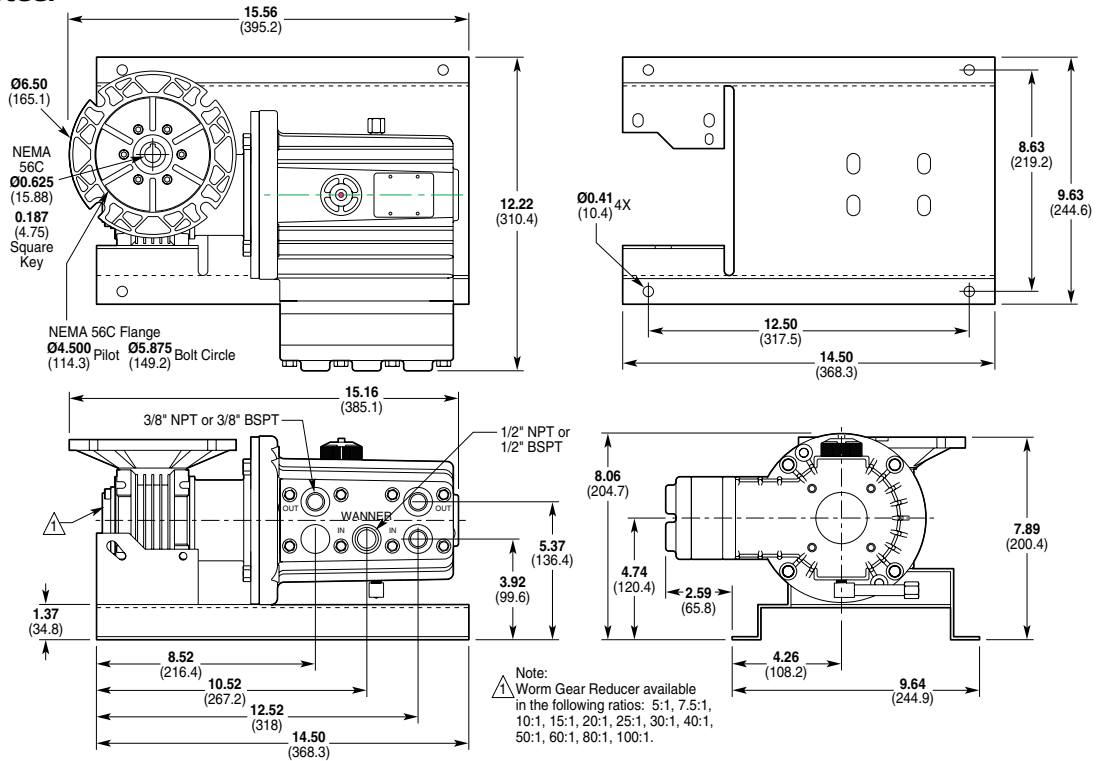
Description	Model Number
115VAC 1Ø Input / 230VAC 3Ø Output	
For up to 1 HP	C100IP-1P3P-115
230VAC 1Ø Input / 230VAC 3Ø Output	
For up to 1/2 HP	C50N1-1P3P-230
For up to 1 HP	C100N1-1P3P-230
230VAC 3Ø Input / 230VAC 3Ø Output	
For up to 1/2 HP	C50N1-3P3P-230
For up to 1 HP	C100N1-3P3P-230
460VAC 3Ø Input / 460VAC 3Ø Output	
For up to 1 HP	C100N1-3P3P-460

P200 Pump Dimensions

Models with Metallic Pumping Head

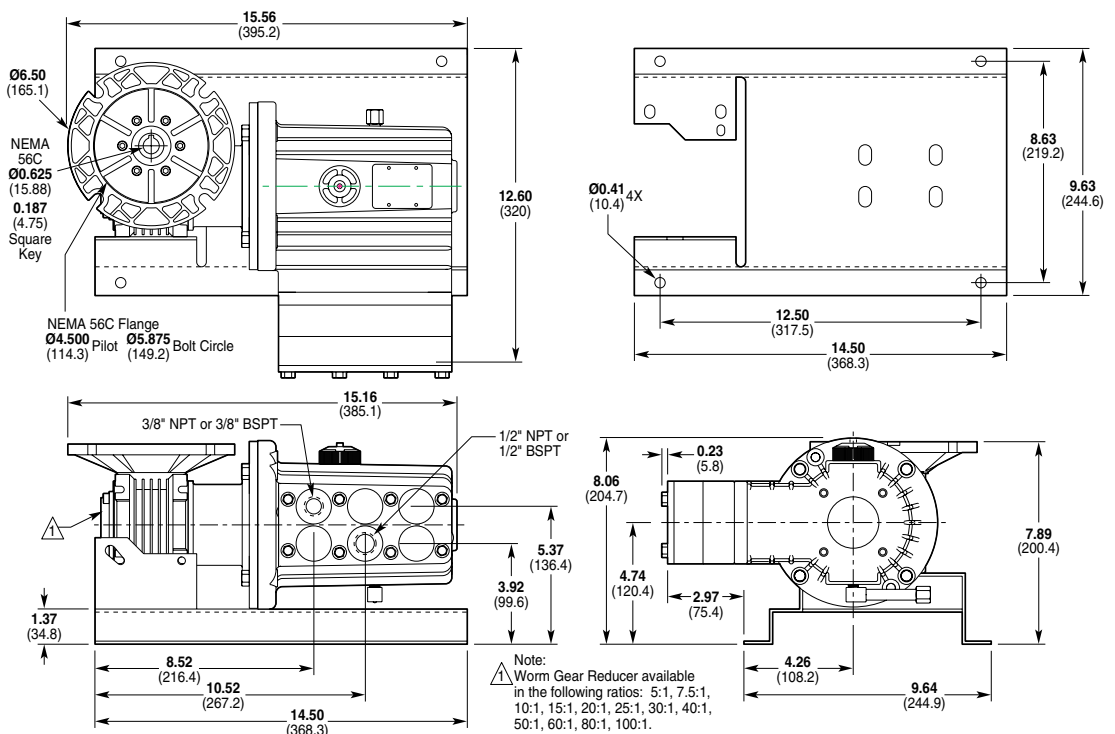
Inches
(mm)

316 Stainless Steel Hastelloy® C



Models with Non-Metallic Pump Head

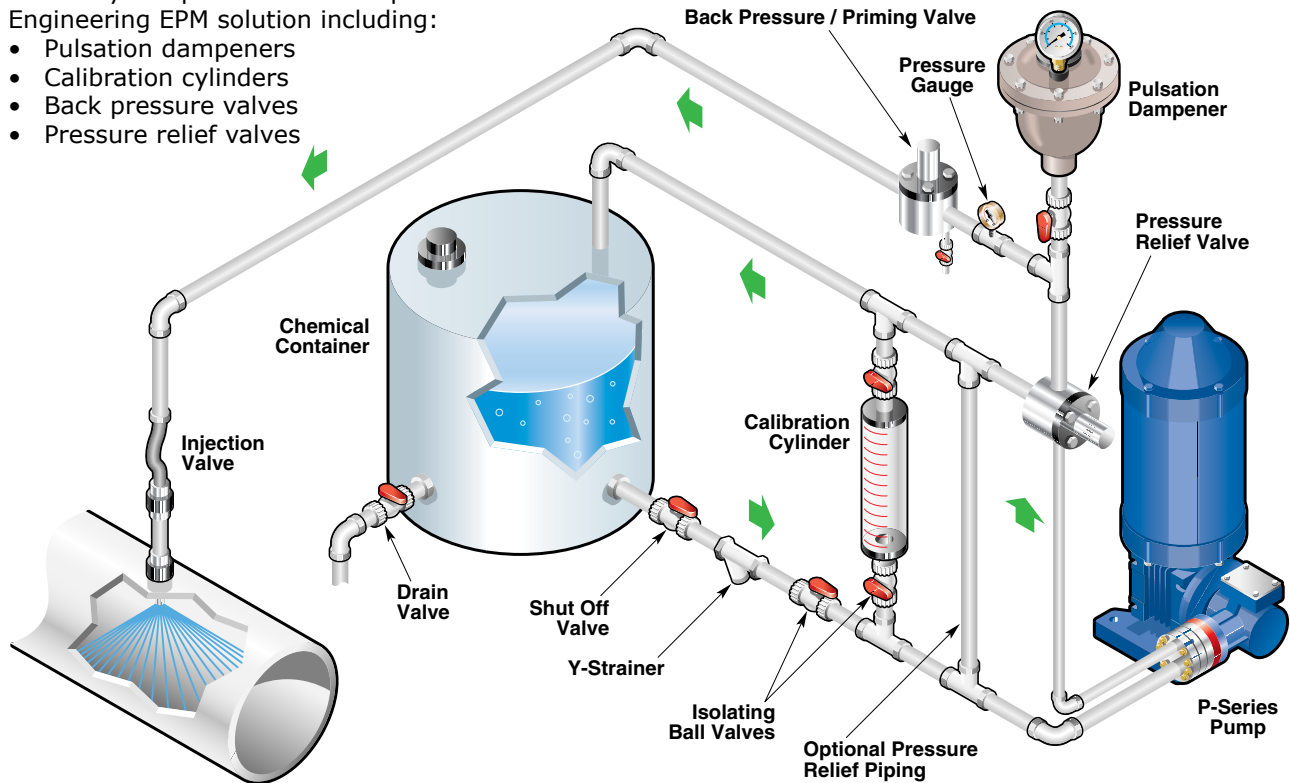
Kynar Polypropylene



For more information, visit our Website at: www.epmpump.com

P Series Pumps and Controls are just one of the many components of a complete Wanner Engineering EPM solution including:

- Pulsation dampeners
- Calibration cylinders
- Back pressure valves
- Pressure relief valves



Contact Your Wanner Sales Representative or visit our website at www.epmpump.com for complete information on our other EPM solution products...

Pulsation Dampeners



Calibration Cylinders



Pressure Relief and Back Pressure Valves



 **Wanner Engineering, Inc.**
 1204 Chestnut Avenue, Minneapolis, MN 55403 USA
 (612) 332-5681 FAX (612) 332-6937
 Toll Free FAX (USA only) (800) 332-6812
 Email: sales@wannereng.com
 Website: www.epmpump.com

 **Wanner International Ltd.**
 Units 8 & 9, Fleet Business Park
 Sandy Lane
 Church Crookham, Hampshire GU52 8BF, England
 Tel +(44) 01252 816847
 FAX Tel +(44) 01252 629242
 Email: sales@wannerint.com