

# PARTS MANUAL

D17-991-2402A

# Hydra-Cell<sup>®</sup>

## INDUSTRIAL PUMPS

Model: D-17

### IMPORTANT

Record your pump model number and serial number here for easy reference:

Model No. \_\_\_\_\_

Serial No. \_\_\_\_\_

Date of Purchase \_\_\_\_\_

When ordering parts or making inquiries about this pump, please mention the model and serial numbers.



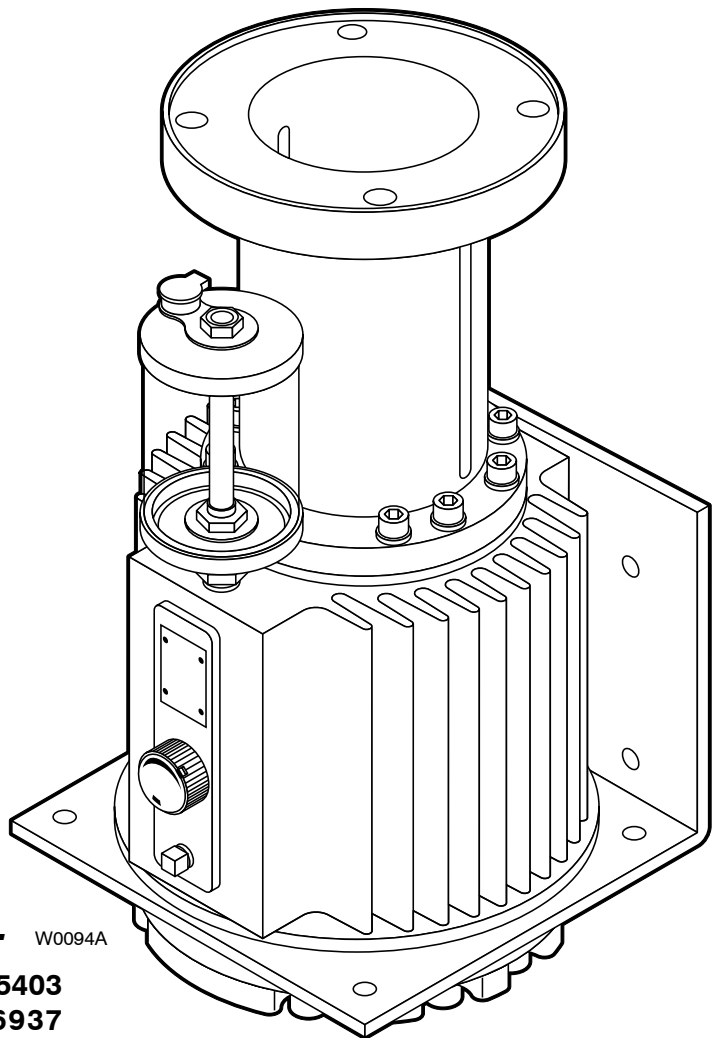
**WANNER ENGINEERING, INC.**

W0094A

1204 Chestnut Avenue, Minneapolis, MN 55403  
TEL: (612) 332-5681 FAX: (612) 332-6937  
TOLL-FREE FAX [US only]: (800) 332-6812

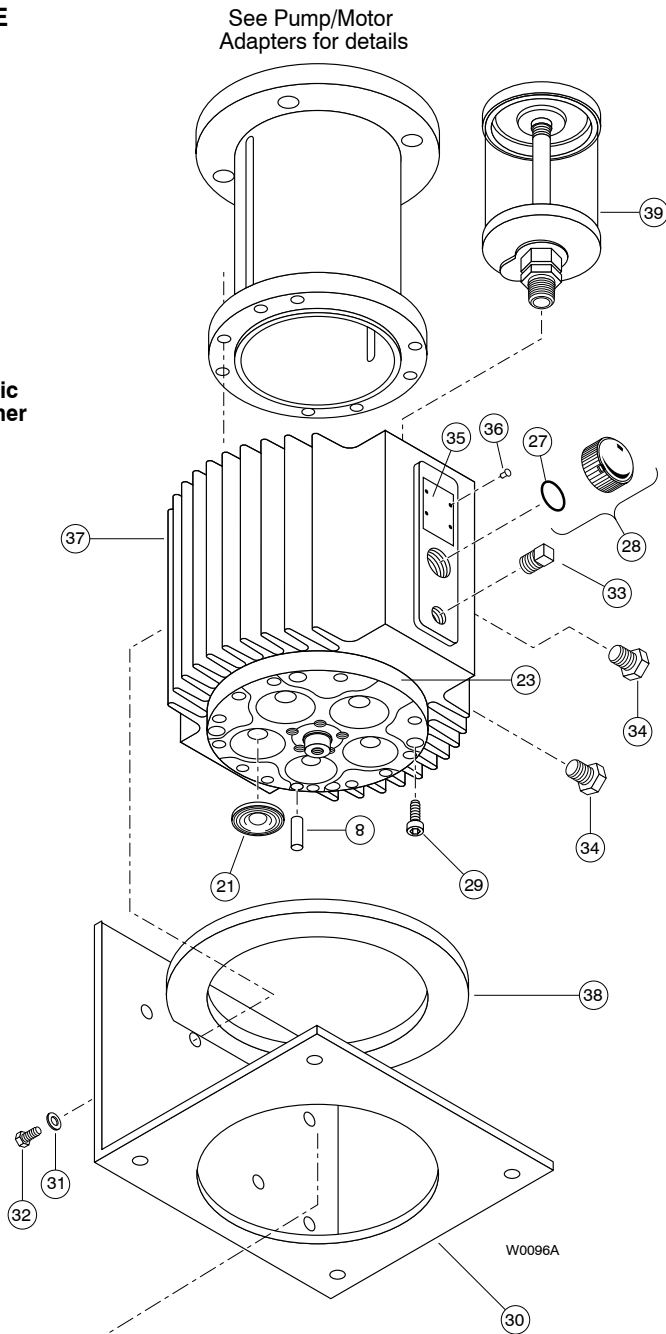
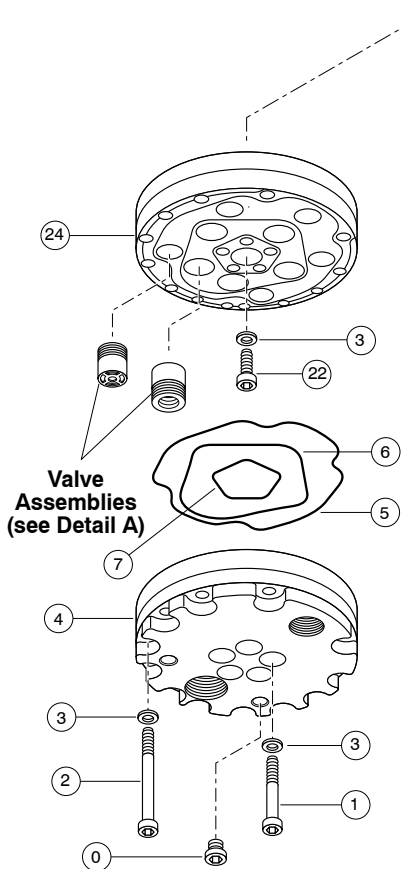
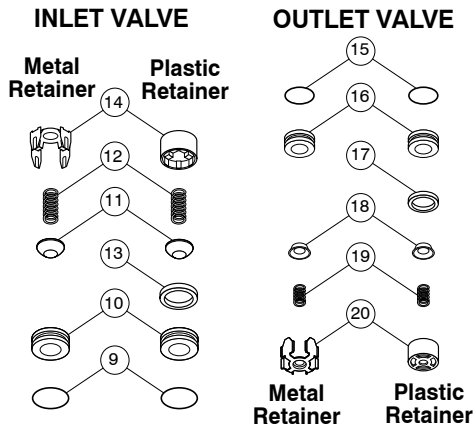
[www.hydra-cell.com](http://www.hydra-cell.com)

email: [sales@wannereng.com](mailto:sales@wannereng.com)



# D-17 Fluid End

## DETAIL "A" (Valve Assemblies)



### Bolt Torque Specifications

Ref. #	Assembly Torque
1	45 ft-lbs
2	45 ft-lbs
22	45 ft-lbs
29	15 ft-lbs
32	45 ft-lbs
42	25 ft-lbs

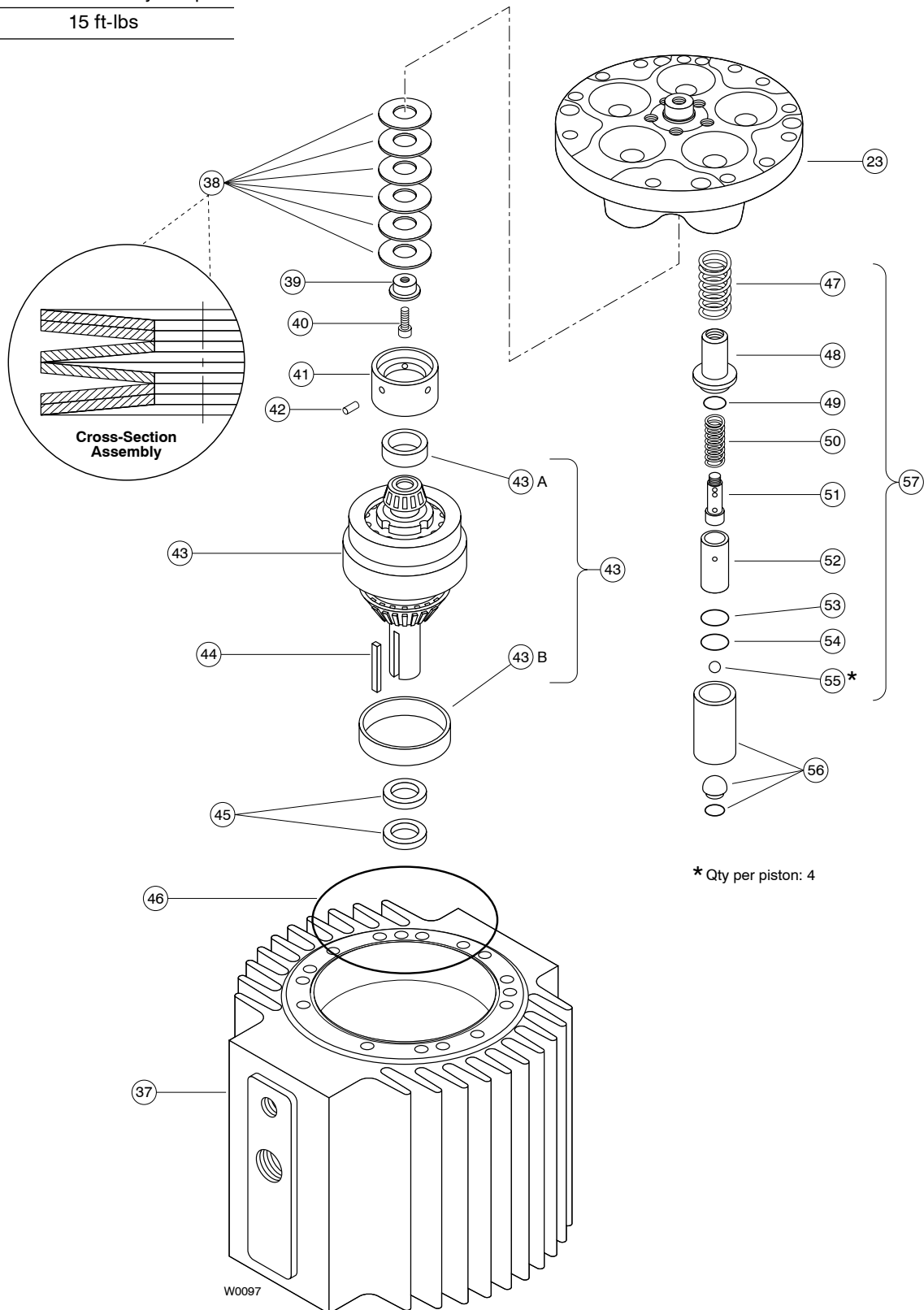
# D-17 Fluid End

Ref. No.	Part Number	Description	Quantity/ Pump	Ref. No.	Part Number	Description	Quantity/ Pump
0	D25-038-2211	Plug, 316 SST .....	2	17	D03-092-2110	Tetra Seal, outlet, Buna .....	5
1	G15-081-2010	Screw, socket-head-cap, M10 x 1.5 x 85mm .....	5		D03-092-2111	Tetra Seal, outlet, Viton .....	5
2	G25-024-2010	Screw, socket-head-cap, M10 x 1.5 x 120mm .....	12	18	D03-021-1015	Valve, outlet, 17-4 SST, HT .....	5
3	D11-048-2011	Washer, flat .....	18		D03-021-1011	Valve, outlet, Nitronic 50 .....	5
4	D15-004-1010	Manifold, brass, NPT .....	1		D03-021-1016	Valve, outlet, tungsten carbide .....	5
	D15-004-1012	Manifold, 316L SST, NPT .....	1	19	D15-022-3113	Valve Spring, outlet, Hastelloy C .....	5
5	D40-073-2110	O-ring, outer manifold, Buna .....	1		D15-022-3114	Valve Spring, outlet, Elgiloy .....	5
	D40-073-2111	O-ring, outer manifold, Viton .....	1	20	D03-023-1010	Retainer, outlet valve spring, 17-7 SST .....	5
6	D15-073-2110	O-ring, middle manifold, Buna .....	1		D03-023-2310	Retainer, outlet valve spring, Celcon ..	5
	D15-073-2111	O-ring, middle manifold, Viton .....	1		D03-023-2316	Retainer, outlet valve spring, Nylon .....	5
7	D35-080-2120	O-ring, inner manifold, Buna .....	1		D03-023-2317	Retainer, outlet valve spring, Polypropylene .....	5
	D35-080-2121	O-ring, inner manifold, Viton .....	1		D03-023-2318	Retainer, outlet Valve Spring, Kynar ..	5
8	D15-026-2210	Pin, dowel .....	1	21	D15-018-1220	Diaphragm, Buna-N-XS .....	5
9	D10-035-2110	O-ring, inlet valve seat, Buna .....	5		D15-018-1215	Diaphragm, Viton-XT .....	5
	D10-035-2111	O-ring, inlet valve seat, Viton .....	5	22	G10-087-2010	SHCS, M10 x 1.5 x 30mm .....	1
10	D15-020-1010	Valve Seat, inlet, 17-4 SST, HT .....	5	23	G15-002-1010	Cylinder Housing .....	1
	D15-020-1011	Valve Seat, inlet, Nitronic 50 .....	5	24	D15-003-1010	Valve Plate, Brass .....	1
	D15-020-1016	Valve Seat, inlet, tungsten carbide ..	5		D15-003-1012	Valve Plate, 316L SST .....	1
11	D10-021-1015	Valve, inlet, 17-4 SST, HT .....	5	27	D10-080-2110	O-ring, Buna .....	1
	D10-021-1011	Valve, inlet, Nitronic 50 .....	5	28	D03-039-1030	Cap with O-ring, oil fill .....	1
	D10-021-1016	Valve, inlet, tungsten carbide .....	5	29	C22-015-2014	SHCS, M8 x 1.25 x 30 .....	4
12	D10-022-3117	Valve Spring, inlet, Elgiloy .....	5	30	D15-025-1011	Base Plate .....	1
	D10-022-3123	Valve Spring, inlet, Hastelloy C .....	5	31	M10-111-2000	Lockwasher .....	4
13	D10-092-2110	Tetra Seal, inlet, Buna .....	5	32	G35-087-2010	HHCS, M12 x 1.75 x 35mm .....	4
	D10-092-2111	Tetra Seal, inlet, Viton .....	5	33	D35-111-2010	Plug, magnetic .....	1
14	D10-023-1010	Retainer, inlet valve spring, 17-7 SST .....	5	34	D25-038-2210	Plug, Brass .....	2
	D10-023-2310	Retainer, inlet valve spring, Celcon ..	5	35	D10-040-2410	Name Plate .....	1
	D10-023-2326	Retainer, inlet valve spring, Nylon .....	5	36	D10-112-2200	Rivet .....	4
	D10-023-2327	Retainer, inlet valve spring, Polypropylene .....	5	37	G15-001-1010	Pump Housing .....	1
	D10-023-2328	Retainer, inlet valve spring, Kynar .....	5	38	D15-025-1012	Gasket .....	1
15	D25-046-2110	O-ring, outlet valve seat, Buna .....	5	39	A01-117-3400	Reservoir, oil .....	1
	D25-046-2111	O-ring, outlet valve seat, Viton .....	5				
16	D15-020-2010	Valve Seat, outlet, 17-4 SST, HT .....	5				
	D15-020-2011	Valve Seat, outlet, Nitronic 50 .....	5				
	D15-020-2016	Valve Seat, outlet, tungsten carbide ..	5				

# D-17 Hydraulic End

## Bolt Torque Specifications

Ref. No.	Assembly Torque
40	15 ft-lbs



\* Qty per piston: 4

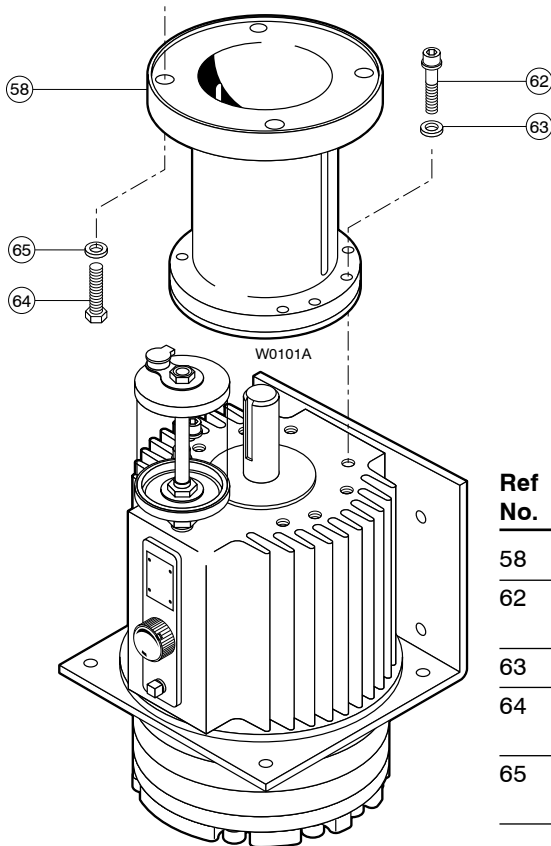
# D-17 Hydraulic End

Ref. No.	Part Number	Description	Quantity/ Pump	Ref. No.	Part Number	Description	Quantity/ Pump
38	D15-075-3110	Spring, disk .....	6	47	D10-019-3110	Spring, piston return.....	5
39	D15-112-1010	Guide, disk spring .....	1	48	D10-042-1010	Retainer, spring.....	5
40	G15-115-2010	SHCS, M8 x 1.25 x 10mm.....	1	49	D10-046-2110	O-ring, Buna.....	5
41	D15-012-1010	Plate, bearing adjustment .....	1	50	D10-045-3110	Spring, sleeve valve .....	5
42	D15-110-2210	Pin, dowel.....	1	51	D15-044-1010	Plunger, valve.....	5
43	D15-007-1210	(X) Cam Assembly, 13 gpm @ 1450 rpm .....	1	52	D10-043-1010	Cylinder, valve.....	5
	D15-007-1214	(E) Cam Assembly, 15 gpm @ 1750 rpm .....	1	53	D10-034-2110	O-ring, Buna.....	5
44	D25-085-2210	Key, shaft .....	1	54	D10-041-1010	Washer, retaining .....	5
45	H25-031-2112	Seal shaft .....	2	55	D10-015-3010	Ball, steel.....	20
46	D15-037-2110	O-ring, Buna.....	1	56	D15-014-1209	Piston (with foot, retainer and balls) ...	5
				57	D15-014-1210	Piston Assembly, Buna .....	5

## D-17 Pump/Motor Adapter Kit

For NEMA 182/256TC C-Face Motors (Complete Kit Part No. A04-041-1200)

For NEMA 284/286TC C-Face Motors (Complete Kit Part No. A04-041-1202)



Ref No.	Description	A04-041-1200	A04-041-1202	Qty/ Kit
58	Pump/Motor Adapter	A04-041-1000	A04-041-1002	1
62	Cap Screw, Socket-head, M10	G03-068-2010	G03-068-2010	8
63	Lockwasher, split, M10	G25-048-2010	G25-048-2010	8
64	Cap Screw, Hex-head, 1/2"	M10-110-2000	M10-110-2000	4
65	Lockwasher, split 1/2"	M10-111-2000	M10-111-2000	4

# D-17 Series Replacement Parts Kits

TO ORDER REPLACEMENT PARTS KIT: A Replacement Parts Kit contains 11 digits corresponding to customer-specified design options.

1	2	3	4	5	6	7	8	9	10	11
---	---	---	---	---	---	---	---	---	----	----

Digit	Order Code	Description
1-3		<b>Pump Configuration</b>
	D17	For all D-17 Pumps
4		<b>Kit Designator</b>
	K	Complete Fluid End Kit
	D	Diaphragm Kit
	V	Valve Kit (diaphragm not included)
5-6		<b>Pump Head Version</b>
	52	Pump Head Version
7		<b>Diaphragm &amp; O-ring Material</b>
	G	Viton <sup>+</sup> -XT
	T	Buna-N-XS
8		<b>Valve Seat Material</b>
	D	Tungsten Carbide
	H	17-4 PH Stainless Steel
	N	Nitronic 50
	X	Not included in Diaphragm Kit
9		<b>Valve Material</b>
	D	Tungsten Carbide
	F	17-4 PH Stainless Steel – Machined
	N	Nitronic 50
	X	Not included in Diaphragm Kit
10		<b>Valve Springs</b>
	E	Elgiloy <sup>®</sup>
	T	Hastelloy <sup>®</sup> C
	X	Not included in Diaphragm Kit
11		<b>Valve Spring Retainers</b>
	C	Celcon
	H	17-7 PH Stainless Steel
	M	Kynar <sup>®</sup>
	P	Polypropylene
	Y	Nylon (Zytel)
	X	Not included in Diaphragm Kit

## Kit Contents

Kit Designator		Qty	K	D	V
Part Number*	Description				
D15-018-___	Diaphragm	5	•	•	
D40-073-___	O-ring, outer manifold	1	•	•	•
D15-073-___	O-ring, middle manifold	1	•	•	•
D35-080-___	O-ring, inner manifold	1	•	•	•
D10-035-___	O-ring, valve seat, inlet	5	•		•
D15-020-___	Valve seat, inlet	5	•		•
D10-021-___	Valve, inlet	5	•		•
D10-022-___	Valve spring, inlet	5	•		•
D10-092-___	Tetra seal, inlet	5	•		•
D10-023-___	Retainer, valve spring, inlet	5	•		•
D25-046-___	O-ring, valve seat, outlet	5	•		•
D15-020-___	Valve seat, outlet	5	•		•
D03-092-___	Tetra seal, outlet**	5	•		•
D03-021-___	Valve, outlet	5	•		•
D03-022-___	Valve spring, outlet	5	•		•
D10-023-___	Retainer, valve spring, outlet	5	•		•
A01-113-3400	Thread locker	1	•		•

\* Last four digits of part numbers with \_\_\_ refer to specific material of construction.

\*\* Not included with metal spring retainers.



## WANNER ENGINEERING, INC.

1204 Chestnut Avenue, Minneapolis, MN 55403  
 TEL: (612) 332-5681 FAX: (612) 332-6937  
 TOLL-FREE FAX [US only]: (800) 332-6812

www.hydra-cell.com  
 email: sales@wannereng.com

© 2004 Wanner Engineering, Inc. Printed in USA  
 D17-991-2402A 5/2004, Revised 2/2007