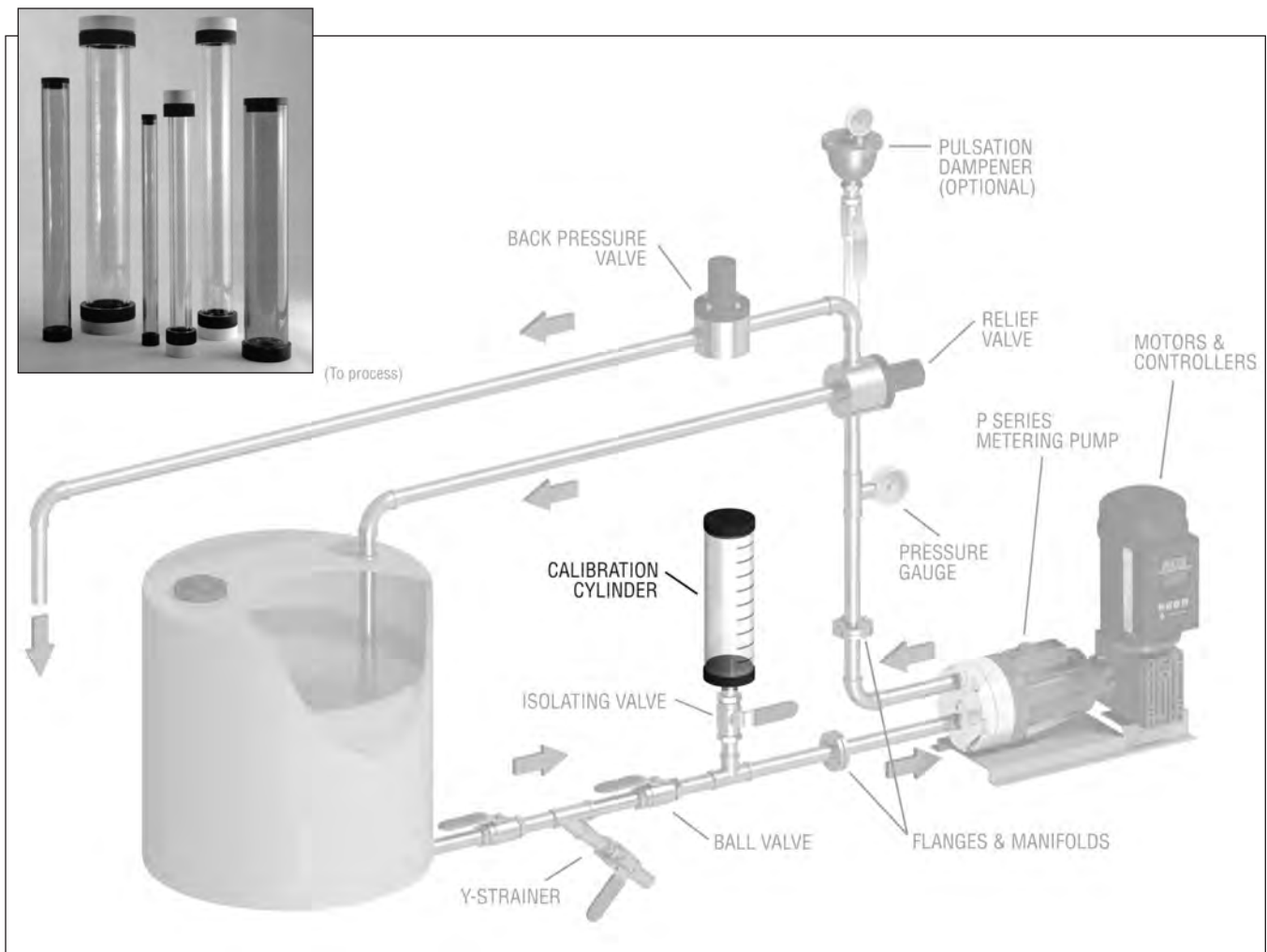


Hydra-Cell[®]

METERING SOLUTIONS[™]

Selection Guide for P Series Pump Accessories & Options



Calibration Cylinders

The calibration cylinder verifies the flow rate of your Hydra-Cell P Series pump, providing a visual indicator that your system is operating within the required parameters for performance and accuracy.

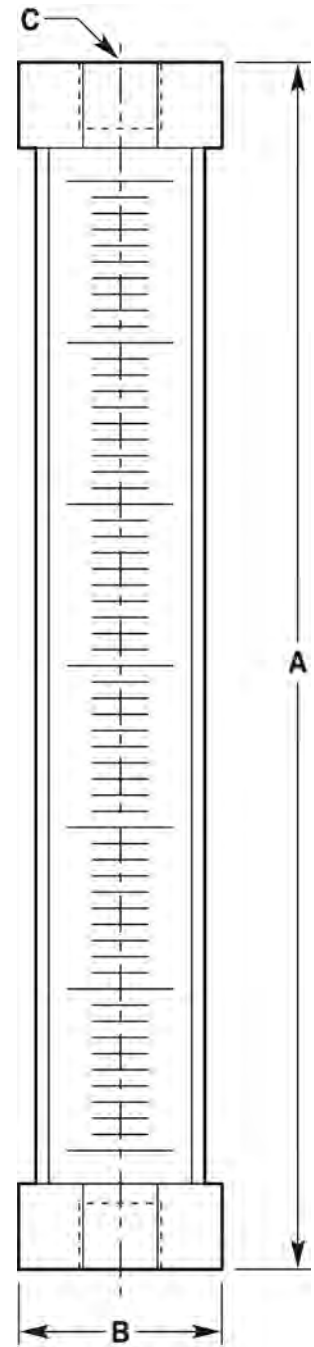
Available in PVC and glass, calibration cylinders are selected based on cylinder capacity needed (GPH or LPH) as determined by the maximum shaft RPM of your pump. Models are available for both NPT and BSTP ports.

Calibration Cylinders Selection Process

1. Size the appropriate P Series pump to the application (refer to pump specifications for complete information).
2. Use the application RPM to select the appropriate cylinder from the chart below.

| Cylinder Size | | | | |
|---------------------------|------------------------|------|------|-------|
| mL | 200 | 1000 | 2000 | 10000 |
| Maximum Cylinder Capacity | | | | |
| GPH | 6.4 | 32 | 64 | 320 |
| LPH | 24 | 120 | 240 | 1200 |
| Pump Model | Maximum Pump Shaft RPM | | | |
| P100 | 200 | 1000 | 1750 | - |
| P200 | 75 | 300 | 600 | 1750 |
| P300 | 75 | 300 | 600 | 1750 |
| P400 | 30 | 110 | 210 | 1000 |
| P500 | - | 60 | 115 | 600 |
| P600 | - | 30 | 60 | 275 |

| Port C | Cylinder Size (mL) | Part Number | | Dimensions - in (mm) | | | |
|------------------------|-----------------------|-------------|------------|----------------------|---------|------|---------|
| | | NPT Ports | BSPT Ports | A | | B | |
| PVC Cylinders | | | | | | | |
| 1/2" | 200 | 111-001 | 111-001-B | 19.0 | (482.6) | 1.5 | (38.1) |
| 3/4" | 1000 | 111-003 | 111-003-B | 22.0 | (558.8) | 2.5 | (63.5) |
| 1" | 2000 | 111-004 | 111-004-B | 20.0 | (508.0) | 3.7 | (94.0) |
| 2" | 10000 | 111-006 | 111-006-B | 26.0 | (660.4) | 7.25 | (184.2) |
| Glass Cylinders | | | | | | | |
| 1/2" | 200 | 111-011 | 111-011-B | 21.0 | (533.4) | 2.5 | (63.5) |
| 3/4" | 1000 | 111-013 | 111-013-B | 27.0 | (685.8) | 3.5 | (88.9) |
| 1" | 2000 | 111-014 | 111-014-B | 27.0 | (685.8) | 5.0 | (127.0) |



Wanner Engineering, Inc.

1204 Chestnut Avenue
Minneapolis, MN 55403 USA
Tel: (612) 332-5681 • FAX: (612) 332-6937
Toll Free FAX (USA only) (800) 332-6812
Email: sales@wannereng.com
www.hydra-cell.com

Wanner International Ltd.

Units 8 & 9 Fleet Business Park
Sandy Lane, Church Crookham,
Hampshire GU52 8BF England
Tel: +44 (0) 1252 816847
FAX Tel: +44 (0) 1252 629242
Email: sales@wannerint.com
www.wannerint.com

Wanner Pumps Ltd.

Flat A, 21 F
Chatham Commercial Building
399 Chatham Road North
Hung Hom, Kowloon, Hong Kong
Tel: (852) 3428-6534
FAX: (852) 3188-9145
Email: sales@wannerpumps.com