

8K : BC
7**

F9J GC BG

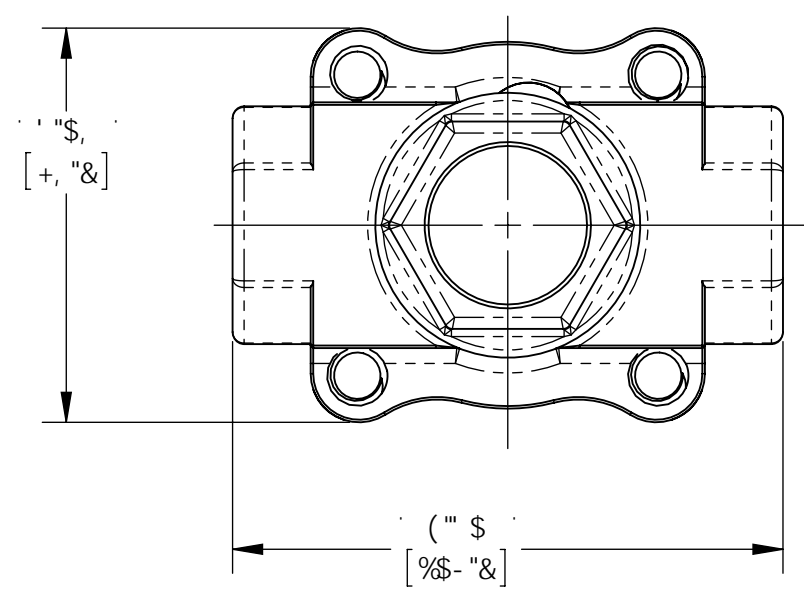
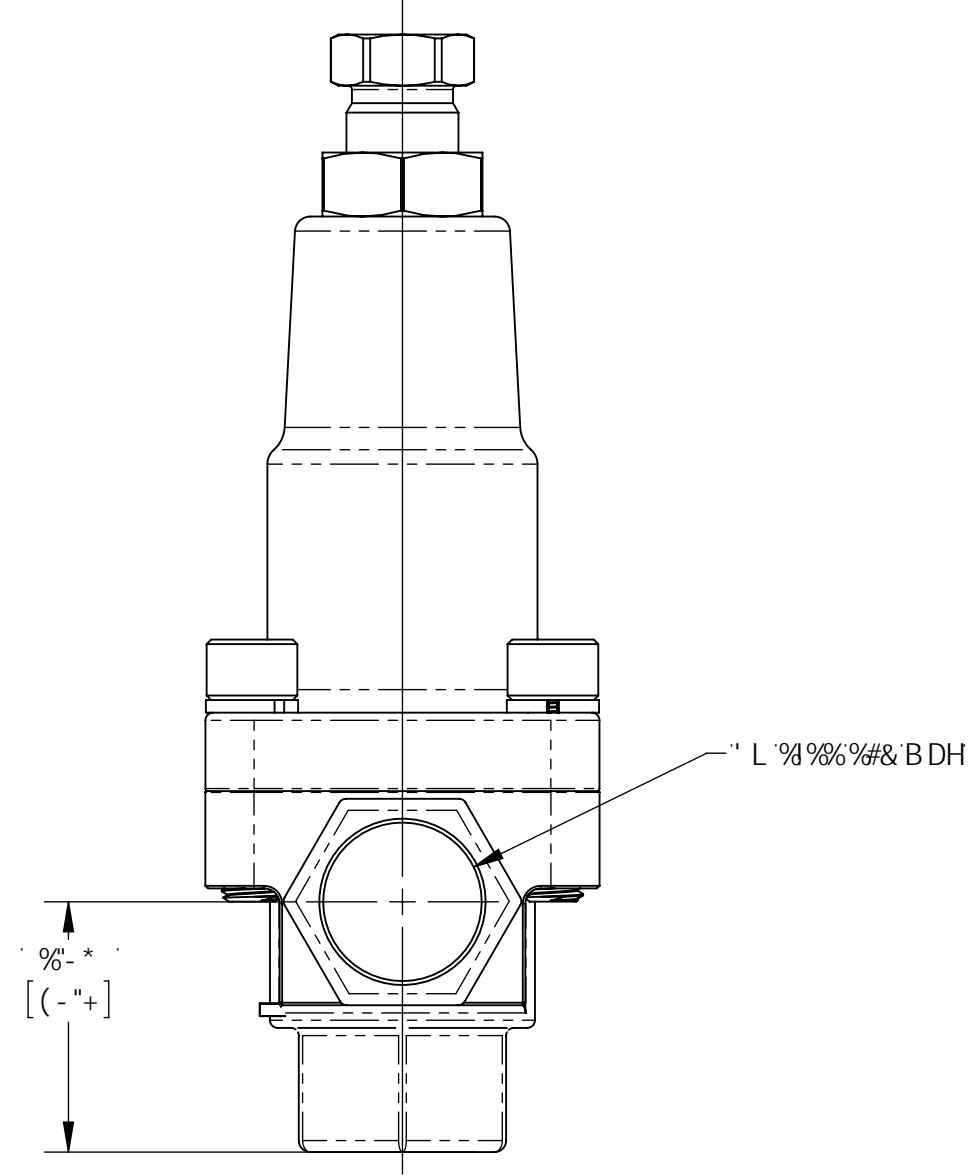
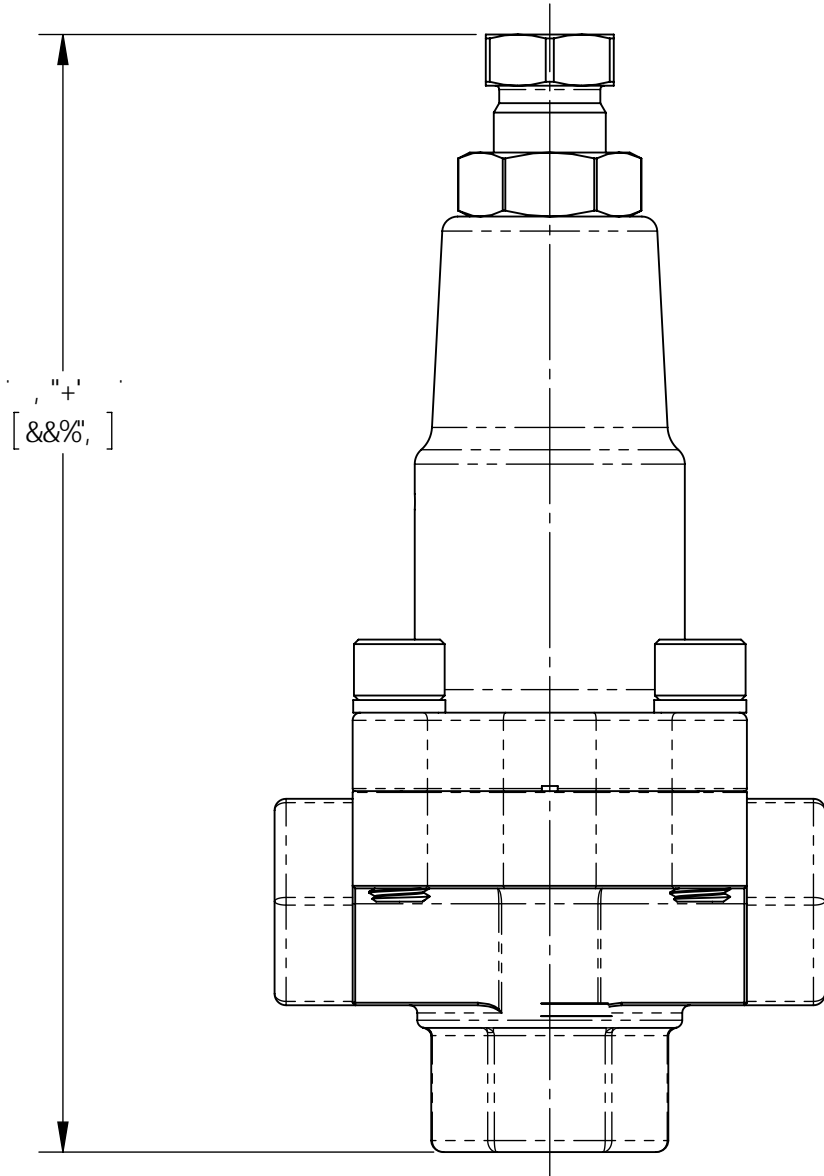
F9J

89G7 F-DHC B

85H9

97 C

8K B



DFC DF 9B5FMQ5H9A 9BH H: 68C 71A 98H7C8H5BG 7C B: 898H5@5B8 DFC DF 9B5FMQ: CFA 5HC B 5B8: 6BC HHC 69 F9DFC 81 798 CF H: 9 B: CFA 5HC B 7C8H5 898 H: 98 8 67 4C 698 HC CH: 9FGK H: C1H7CB98H BK F4B: 2: FCA K 5B8 98: 8 98 B: 2 87		I B @GGC H: 9FK 69 GD97 = 98. 18 A 9BGC BG5F9 B B7 < 9G 18 HFD 9H9F5K B: D9F 5GA 9M() H&S 18 A 9BGC B C5F95: HF D85HB: 27 C 5HB: 5B8 < 95HIF 95HB: 261 H69 CF9D5 BHB: IF9A CJ 95 @61 FFG5B8 G<5FD7CFB9FG		HC @F5B7 9G L 1' ± "% LL 1' ± "\$& LLL 1' ± "\$\$ 5B: @9G1 ± % B: G<		8K B !!#1#1 LLL 7 < ?#B H: F8 5B: @ DFC >97 HC B BC BCHG7 5 @8F5K B: G< 99H% C: % G7 5 @9 & : CFA : 7 6 @		A 5H @ K 5BB9F '9B; B 99F B; B 7 %S(7 < 9GB1 H5J 9A BB95DC @GA B)) (S' K 9! G!Ufh5ggYa V mHYa d UHY 8K : BC 7**		GAP 7 F9J %	
---	--	--	--	---	--	---	--	--	--	----------------------	--