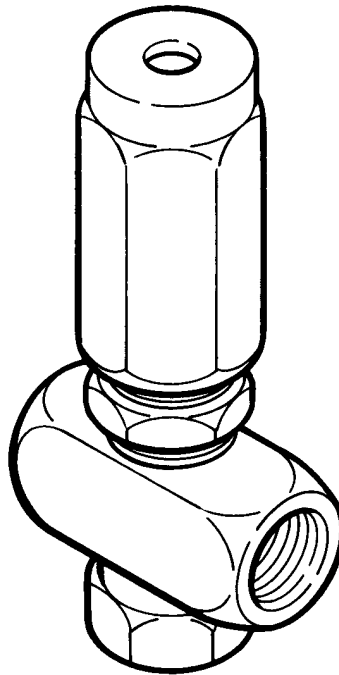


INSTALLATION & SERVICE

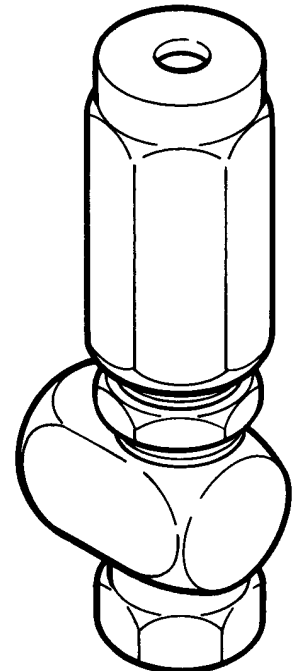
Hydra-Cell[®] **INDUSTRIAL VALVES**

MODELS: C46

Pressure Regulating Valves



In-Line



Off-Line



WANNER ENGINEERING, INC.

1204 Chestnut Avenue, Minneapolis, MN 55403
TEL: (612) 332-5681 FAX: (612) 332-6937
TOLL-FREE FAX [US only]: (800) 332-6812

www.hydra-cell.com
email: sales@wannereng.com
Document Fax Back System (510) 745-0440

Wanner Pressure Regulating Valve

Hydra-Cell C46 Bypass Pressure Regulating Valves bypass system fluid to prevent excess pressure in the system. Whenever the system discharge is completely closed, by a closed spary gun, closed valve or plugged nozzles, Hydra-Cell valves bypass the total system fluid flow. They also can be used to balance system pressure in multiple gun operations.

The design is simple: a plunger and valve seat. When excess pressure overcomes the adjustable spring pressure on the plunger, the plunger lifts off the valve seat, allowing sufficient fluid to bypass and thereby balance system pressure.

Installation

Location

Install the regulating valve between the pump outlet (as close to the pump as possible) and any shut-off device in the discharge plumbing. It may be located **in** the discharge line, or **off**-line as illustrated in Figures 1 and 2 below.

Mounting Position

The preferred mounting position is vertical with the adjusting cap at the top.

Specifications

Pressure Range

Low spring (0.081")	50-500 psi
Medium spring (0.099")	100-900 psi
Standard spring (0.125")	200-1500 psi

Temperature Range

To 180°F

Volume Range

Off-Line Mount:	To 10 pgm
In-Line Mount:	To 7 pgm

Ports

Inlet, Outlet, Bypass: 3/8" NPT

Materials of Construction

(Other materials available on special order):

Body:	Brass
	316 Stainless steel
Piston:	316 Stainless steel
Valve Seat:	316 Stainless steel
O-rings:	Buna-N, EPDM or Viton
Piston Seal:	Buna-N, EPDM or Viton
Spring:	Chrome Vanadium-plated

Weight

12 ounces

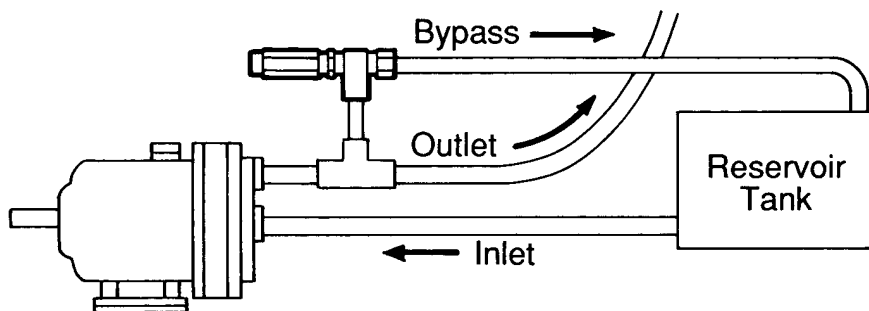


Fig. 1: Off-Line

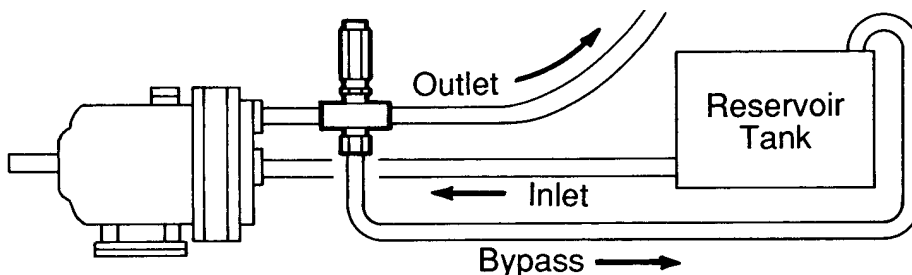


Fig. 2: In-Line

Installation

Pressure Adjustment

To increase pressure, turn the adjusting cap clockwise; to reduce pressure, turn counterclockwise.

Installation

The regulator is not preset for pressure. Start the pump with the spring relaxed (seven threads showing). With the discharge gun open, check the gauge pressure as you turn the adjusting cap clockwise to increase the pressure to the desired operating range (1500 psi max).

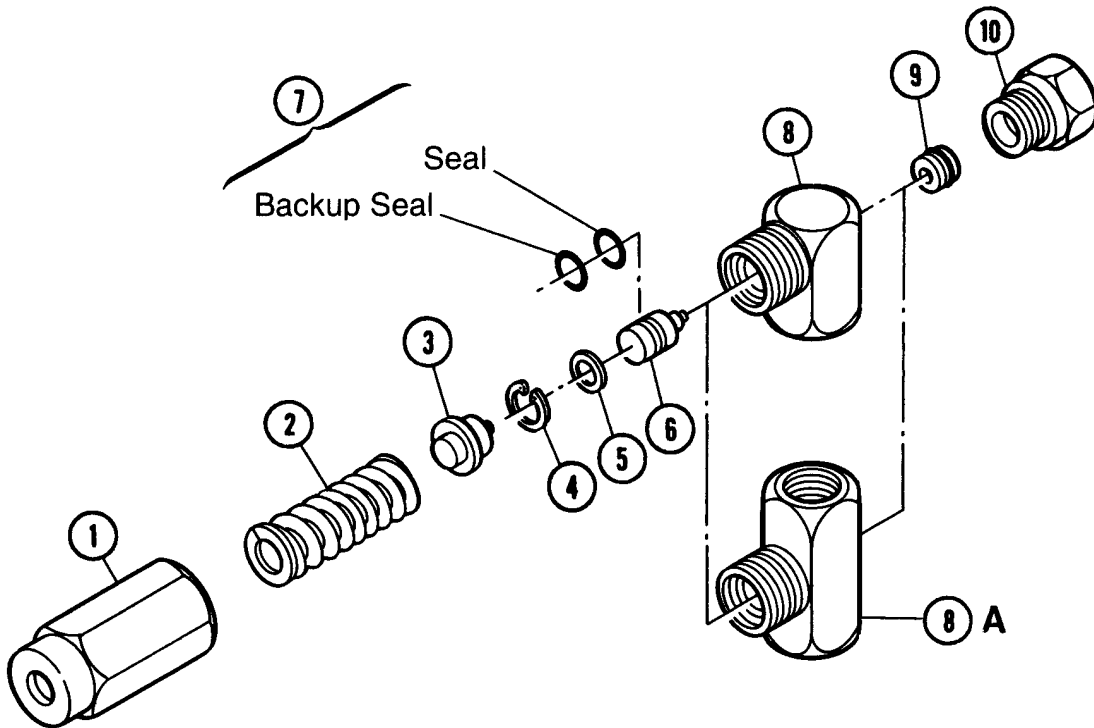
Caution: Do not exceed maximum pressure rating of the pump.

There may be some bypass if the nozzle is undersized. Do not adjust above the working pressure as this will unnecessarily increase the pressure when the gun is shut off.

If the system has more than one outlet gun, set the valve pressure with one outlet gun open. Then check again with all guns open to verify that the pressure is still within the proper range.

Parts List

- | | | | |
|---|--|----|--|
| 1 | Adjusting Cap:
Brass
Brass-Plated | 8 | Body Assembly
(Off-Line):
Brass
316 SST |
| 2 | Spring:
200 - 1500 psi
100 - 900 psi
50 - 500 psi | 8A | Body Assembly
(In-Line):
Brass |
| 3 | Thrust Plate:
316 SST | 9 | Seat;
Seat O-ring:
Buna
Viton
EPDM |
| 4 | Snap Ring | 10 | Bypass Fitting:
Buna
EPDM
Viton |
| 5 | Washer | | |
| 6 | Piston:
316 SST | | |
| 7 | Seal Kit:
Buna/Teflon
EPDM/Teflon
Viton/Teflon | | |



Limited Warranty

Wanner Engineering, Inc. extends to the original purchaser of equipment manufactured by it and bearing its name, a limited one-year warranty from the date of purchase against defects in material or workmanship, provided that the equipment is installed and operated in accordance with the recommendations and instructions of Wanner Engineering, Inc. Wanner Engineering, Inc. will repair or replace, at its option, defective parts without charge if such parts are returned with transportation charges prepaid to Wanner Engineering, Inc., 1204 Chestnut Avenue, Minneapolis, Minnesota 55403.

This warranty does not cover:

1. The electric motors (if any), which are covered by the separate warranties of the manufacturers of these components.
2. Normal wear and/or damage caused by or related to abrasion, corrosion, abuse, negligence, accident, faulty installation or tampering in a manner which impairs normal operation.
3. Transportation costs.

This limited warranty is exclusive, and is in lieu of any other warranties (express or implied) including warranty of merchantability or warranty of fitness for a particular purpose and of any noncontractual liabilities including product liabilities based on negligence or strict liability. Every form of liability for direct, special, incidental or consequential damages or loss is expressly excluded and denied.



WANNER ENGINEERING, INC.

1204 Chestnut Avenue, Minneapolis, MN 55403
TEL: (612) 332-5681 FAX: (612) 332-6937
TOLL-FREE FAX [US only]: (800) 332-6812

www.hydra-cell.com
email: sales@wannereng.com
Document Fax Back System (510) 745-0440

C46-991-2400 Rev. A

©1998 Wanner Engineering, Inc. Printed in USA 9-98

PARTS MANUAL

Hydra-Cell[®]

INDUSTRIAL PUMPS

IMPORTANT

Record your pump model number and serial number here for easy reference:

Model No. _____

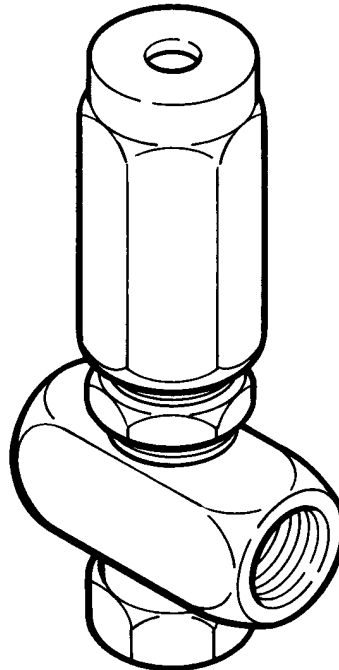
Serial No. _____

Date of Purchase _____

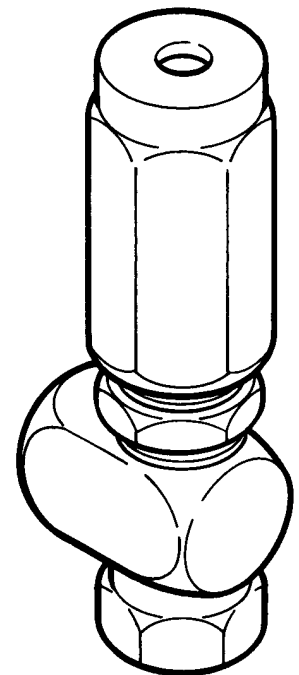
When ordering parts or making inquiries about this pump, please mention the model and serial numbers.

MODEL: C-46

PRESSURE REGULATING VALVES



In-Line



Off-Line

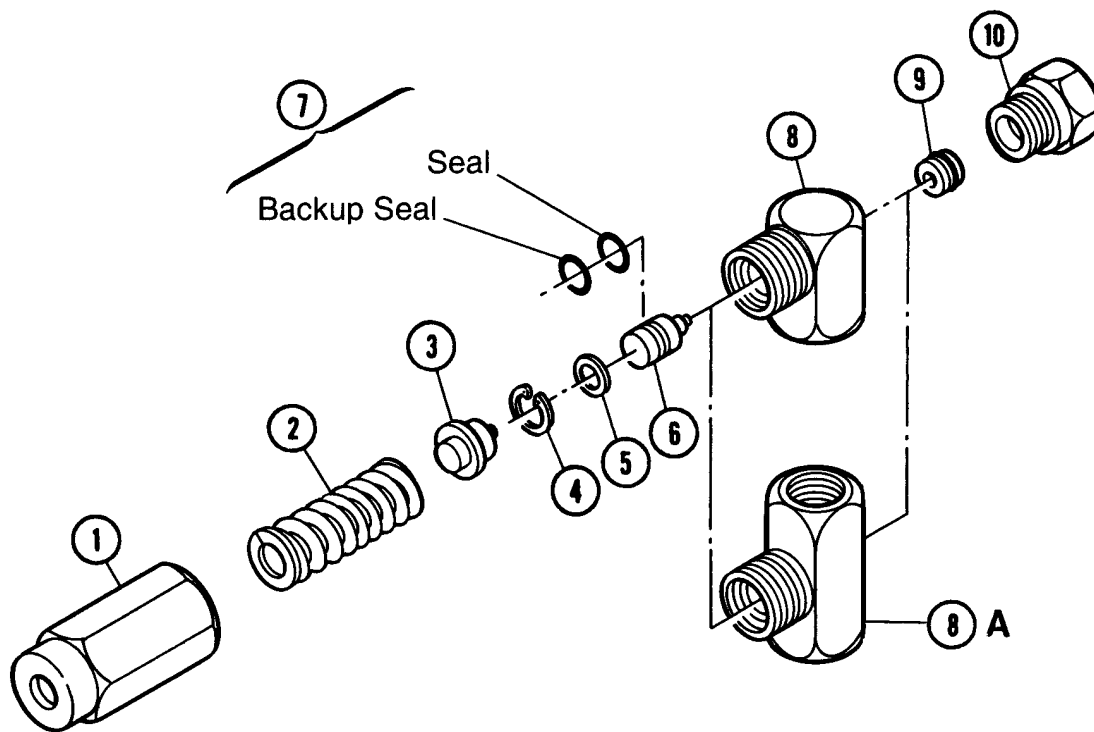


WANNER ENGINEERING, INC.

1204 Chestnut Avenue, Minneapolis, MN 55403
TEL: (612) 332-5681 FAX: (612) 332-6937
TOLL-FREE FAX [US only]: (800) 332-6812

www.hydra-cell.com
email: sales@wannereng.com
Document Fax Back System (510) 745-0440

C-46 Bypass Pressure Valves



Ref #	Part Number	Description	Quantity/ Pump
1	C46-001-5000	Brass adjusting cap	1
	C46-001-5002	Brass -Plater adjusting cap	1
2	C46-002-5001	Spring, standard, 0.125" (200-2000 psi)	1
	C46-002-5002	Spring, medium, 0.099" (100-900 psi)	1
	C46-002-5003	Spring, low, 0.081" (50-500 psi)	1
3	C46-003-5010	Plate, thrust, brass	1
	C46-003-5012	Plate, thrust, 316 SST	1
6	C46-004-5010	Piston	1
7	C46-005-5010	Seal kit, Buna-N	1
	C46-005-5011	Seal kit, Viton	1
	C46-005-5013	Seal kit, EPDM	1
8	C46-006-5002	Body assembly, off-line, 316 SST	1
	C46-006-5010	Body assembly, off-line, brass	1
8A	C46-006-5011	Body assembly, in-line, brass	1
9	C46-017-5010	Seat	1
9	C45-007-5010	O-ring, Buna	1
	C46-007-5011	O-ring, Viton	1
	C46-007-5013	O-ring, EPDM	1
	C46-008-5002	Bypass fitting, 316 SST	1
	C46-008-5010	Bypass fitting, Brass	1
10	C46-009-5010	O-ring, bypass fitting, Buna	1
	C46-009-5011	O-ring, bypass fitting, Viton	1
	C46-009-5013	O-ring, bypass fitting, EPDM	1



WANNER ENGINEERING, INC.

1204 Chestnut Avenue, Minneapolis, MN 55403
 TEL: (612) 332-5681 FAX: (612) 332-6937
 TOLL-FREE FAX [US only]: (800) 332-6812

www.hydra-cell.com

email: sales@wannereng.com

Document Fax Back System (510) 745-0440