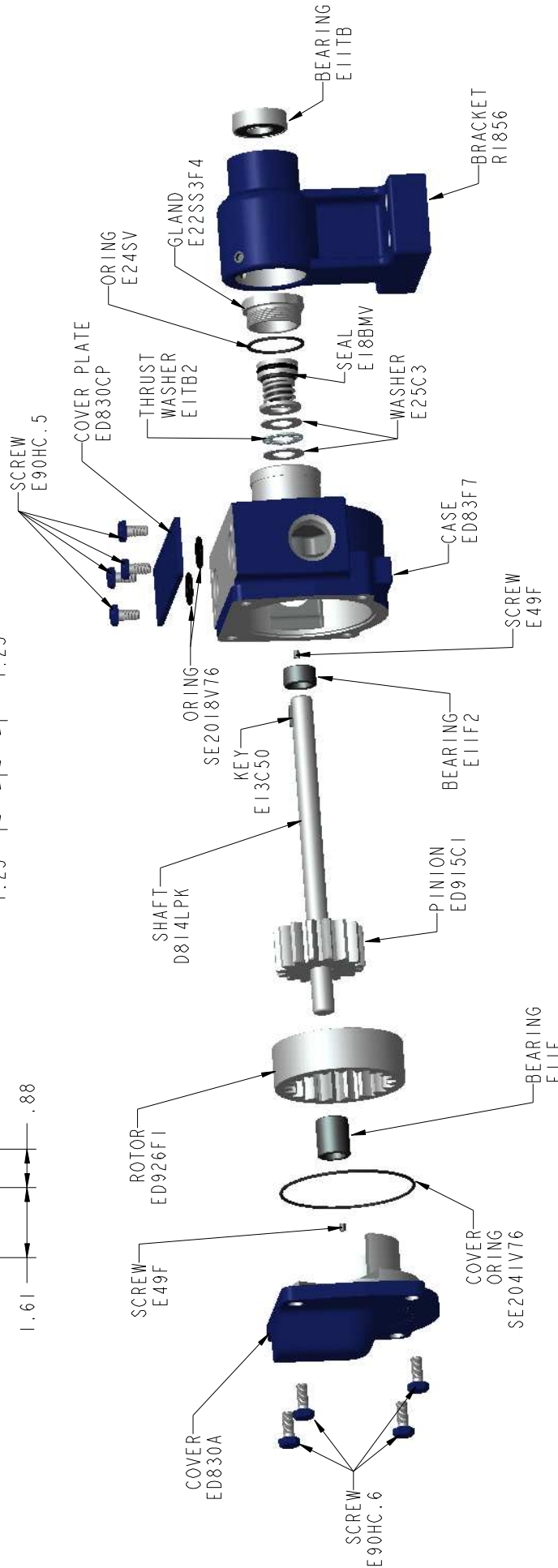
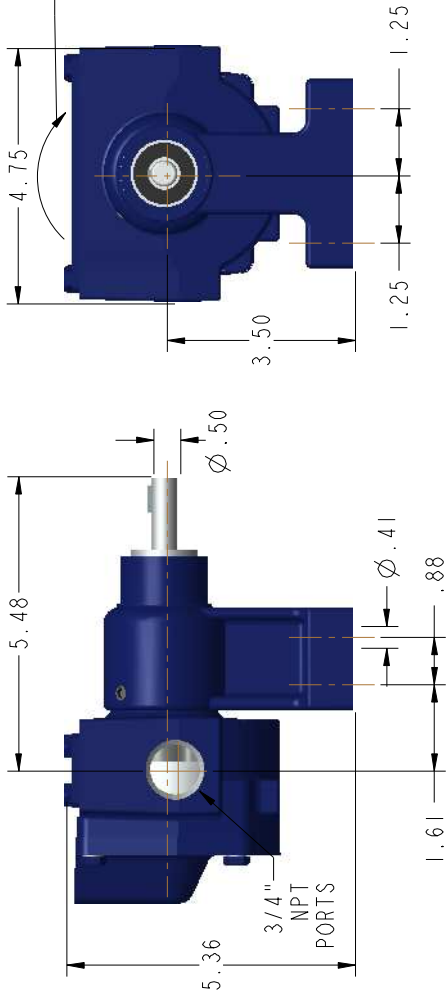


REV	DESCRIPTION	DATE
A	PROPOSAL ONLY	6/18/08

ARROW DENOTES  
CW ROTATION



DRWG NO.  
9UOBB

 ASME Y14.5M	DRWN BY: JO DATE: 6/13/08	TITLE: 9U W/OUTBOARD BEARING BRACKET	CHECK'D BY: APPROV'D BY:	BAKER MFG. CO. LLC 133 ENTERPRISE ST. EVANSVILLE, WI. 53536	TOL. UNLESS SPEC: N/A	DRWG. NO. 9UOBB
--	------------------------------	--------------------------------------	-----------------------------	---	--------------------------	--------------------

This information is confidential to Baker Mfg. Co. LLC. It is not to be disclosed to others without the written consent of Baker.