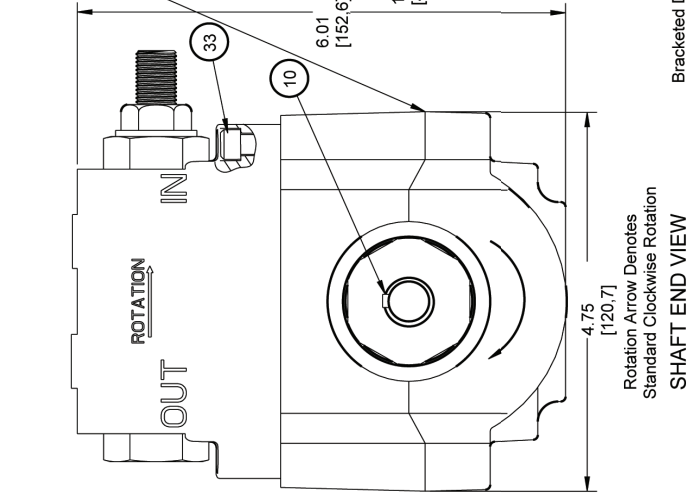
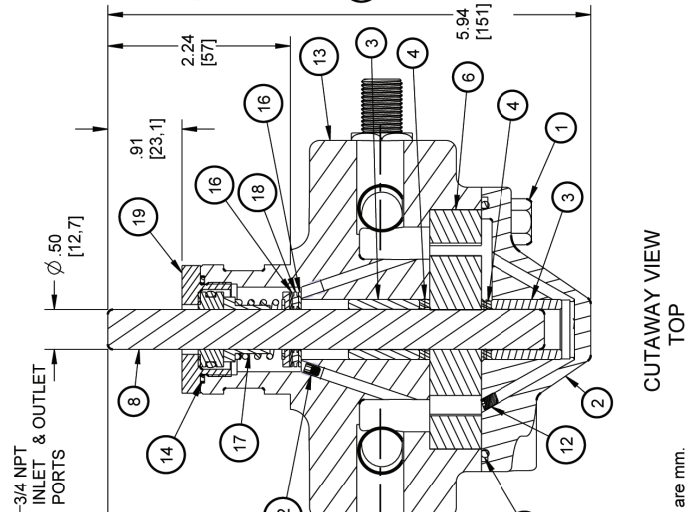
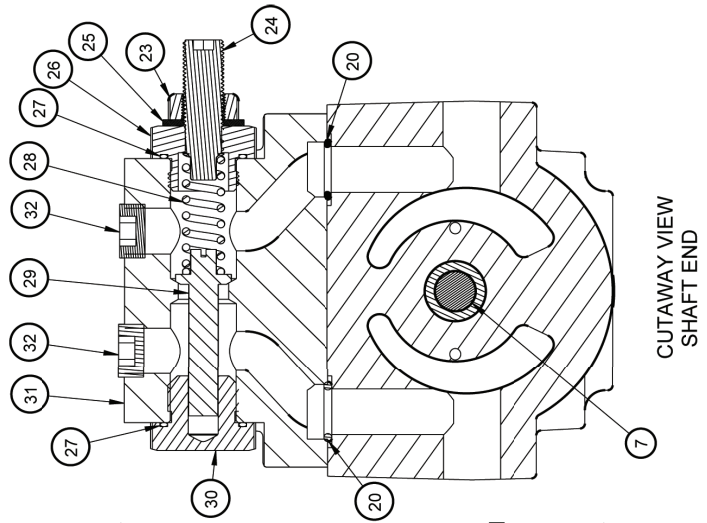


8UR - 8 GPM HAIGHT PUMP WITH RELIEF VALVE

Item	Part Number	Description	Qty.	Item	Part Number	Description	Qty.
1	E90HC.6	Screw, Cover	4	18	E11TB2	Thrust Bearing	1
2	EG830A	Cover	1	19	E22SS3F4	Gland	1
3	E11F	Bearing	2	20	SE2018N90	O-Ring, Valve Body	2
4	E21E	Wiper Seal	2	23	E64C	Lock Nut	1
5	SE2151N70	O-ring-Cover	1	24	E55C	Adjustment Screw	1
6	HJ89A	Gerotor Set	1	25	E25N1	Sealing Washer	1
7	DU8C13PK	Gerotor Set & Shaft Assembly	1	26	E57C	Bonnet	1
8	D814PK	Shaft	1	27	SE2020N70	O-Ring, Valve	2
10	E13C50	Key, 1/8 Sq X 1/2 Lg	1	28	E52S	Spring	1
12	E49G	Set Screw, Vent	2	29	E51C	Poppet	1
13	EG86A7	Case	1	30	E50C	Cap	1
14	E24SE	O-ring-Gland	1	31	ED55A	Valve Body	1
16	E25C3	Washer	2	32	ZA285	Pipe Plug	2
17	E18AM	Shaft Seal	1	33	E90SC.8	Screw, Valve Body	4



Rotation Arrow Denotes
Standard Clockwise Rotation
SHAFT END VIEW

Bracketed Dimensions are mm.