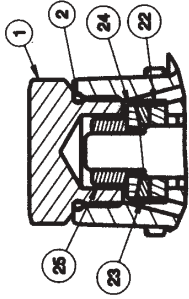


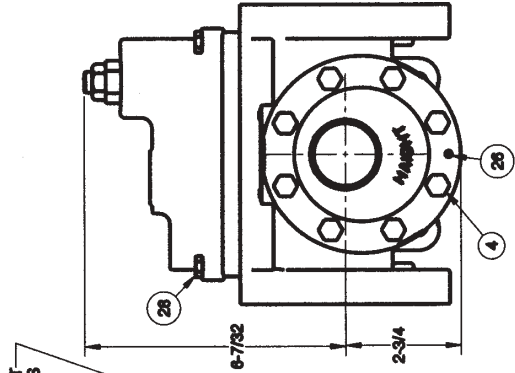
20USR - 20 GPM HAIGHT STAINLESS PUMP WITH RELIEF VALVE

Item	Part No.	Description	Qty.	Item	Part No.	Description	Qty.
1	SAE16S	Screw On Plug	1	18	E49ES	Set Screw, Vent	2
2	SE3916V76	O-Ring, Plug	1	19	SE212ZV76	O-Ring, Valve Body	2
4	F90HS.8	Screw, Cover	8	22	F11TBV	Thrust Washer	1
5	D2030S11	Cover	1	23	F25S5	Spherical Washer	1
6	F11G	Bearing	2	24	F25S4	Spherical Washer	1
7	F28V	O-Ring, Cover	1	25	ZA53Z8	Nut	1
8	D2028AF	Rotor	1	26	F41S	Pin	1
9	D20C13S14	Shaft & Pinion Assembly	1	27	FD55S8	Valve Body	1
10	F18C76	Key, 3/16 Sq X 3/4 Lg	1	28	E90HS1.2	Screw	4
11	D20381L	Case	1	29	F6S	Pipe Plug	1
12	F43S1	Pin	1	30	RVPO5S	Piston	1
13	SE2137V76	O-Ring, Gland	1	31	F92V	O-Ring, Piston	1
14	F11TBV	Thrust Washer	1	32	H52M	Spring	1
15	F18BMV	Shaft Seal	1	33	F56S1	Bonnet	1
16	F225S26	Gland	1	34	F55S	Adjustment Screw	1
17	E49DS	Set Screw, Gland	1	35	E64JS	Nut	1

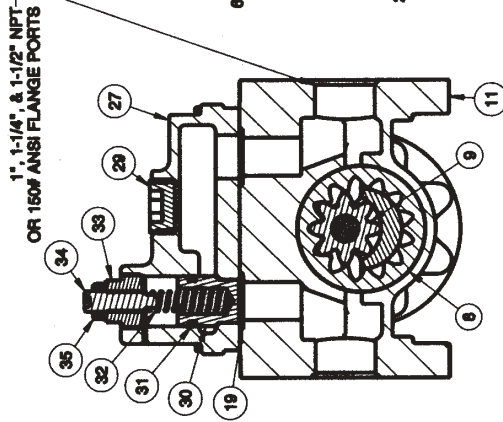


DETAIL A

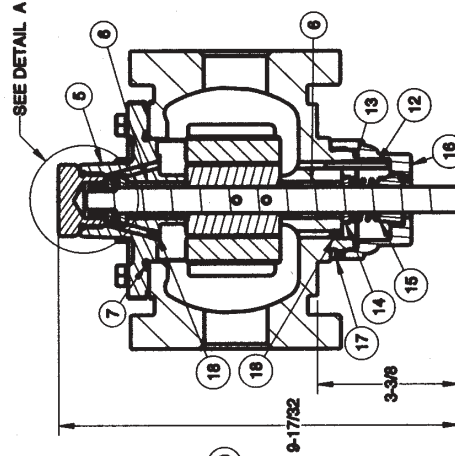
**20URS - 20 GPM
Stainless Universal Pump**



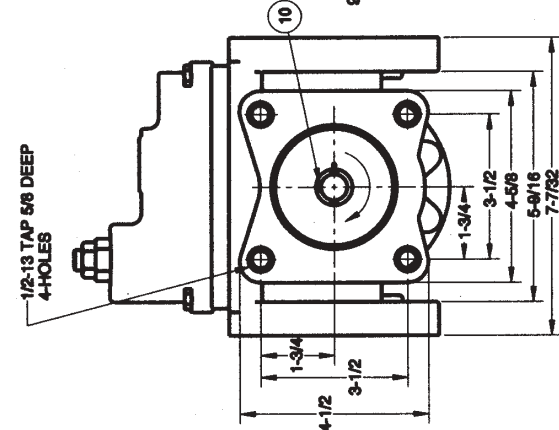
COVER END VIEW



CUTAWAY VIEW
SHAFT END



CUTAWAY VIEW
BOTTOM



SHAFT END VIEW
ROTATION ARROW DENOTES
STANDARD CLOCKWISE ROTATION