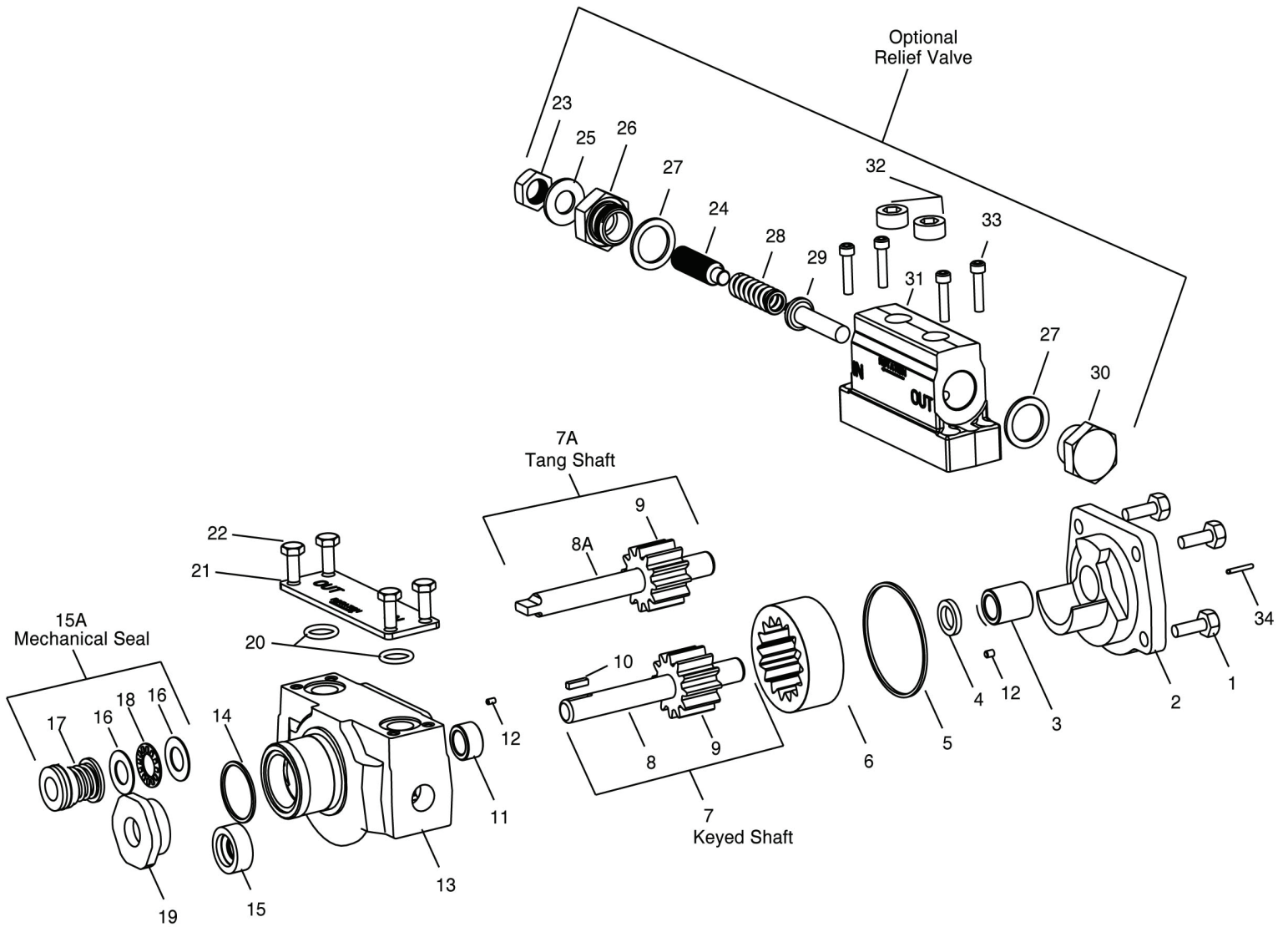


**1U through 5U HAIGHT® Pumps with or without Relief Valve**



## 1U - 5U STANDARD PUMP REPLACEMENT PARTS

Item#	Description	Part No	Qty		Item#	Description	Part No	Qty
1	Screw-Cover	E90HC.6	4		11	Shaft Bearing		1
2	Cover					Iron	E11F2	
	<b>1U Standard</b>	ED130A	1			Bronze	E11B2	
	Hatrided	ED130AH				Carbon Graphite	E11G2	
	X-Hard	ED130AXH				Du-Iron Sleeve	E11UFA2	
	<b>3U Standard</b>	ED330A	1		12	Set Screw, Vent	E49F	1
	Hatrided	ED330AH			13	Case 1/2" ports	ED56A5	1
	X-Hard	ED330AXH				Hatrided	ED56AH5	
	<b>5U Standard</b>	ED530A	1			X-Hard	ED56AXH5	
	Hatrided	ED530AH				Case 3/4" ports	ED56A7	1
	X-Hard	ED530AXH				Hatrided	ED56AH7	
3	Shaft Bearing		1			X-Hard	ED56AXH7	
	Iron	E11F			14	O-ring Gland		1
	Bronze	E11B				Buna	E24SE	
	Carbon Graphite	E11G				Viton®	E24SV	
	DU-Iron Sleeve	E11UFA				Neoprene	E24SN	
4	Wiper Seal		1			Teflon	E24ST	
	Buna	E21E				Silicone	E24SZ	
	Viton®	E21V				Kalrez®	E24SK	
	Neoprene	E21N			15	Lip Seal		
5	O-Ring Cover		1		15A	Mechanical T-21 Seal		
	Buna	E28E			16	Washer	E25C3	2
	Viton®	E28V1			17	Mechanical Seal		
	Neoprene	E28N			18	Thrust Bearing	E11TB2	1
	Teflon	E28T			19	Gland	E22SS3F4	1
	Silicone	E28Z			20	O-ring For Cover/Relief Valve		2
	Kalrez®	E28K				Buna	SE2018N90	
6	Rotor					Neoprene	SE2018C90	
	<b>1U Standard</b>	D126F1				Kalrez®	SE2018K75	
	Hatrided	D126H				Teflon	SE2018J60	
	X-Hard	D126XH				Silicone	SE2018S90	
	Teflon	D126T1				Viton®	SE2018V90	
	Delrin	D126D1			21	Cover Plate	ED530CP	1
	Open Clearance	D126NF			22	Screw-Cover Plate	E90HC.5	4
	Ni-Resist	D126N1			23	Locking Nut	E64C	1
	<b>3U Standard</b>	D326F1			24	Adjustment Screw	E55C	1
	Hatrided	D326H			25	Sealing Washer Std.	E68C	1
	X-Hard	D326XH				Buna	E25N1	
	Teflon	D326T1				Neoprene	E25C2	
	Delrin	D326D1				Viton®	E25V1	
	Open Clearance	D326NF			26	Bonnet	E57C	
	Ni-Resist	D326N1			27	O-ring, Relief Valve		1
	<b>5U Standard</b>	D526F1				Buna	SE2020N70	
	Hatrided	D526H				Neoprene	SE2020C70	
	X-Hard	D526XH				Viton®	SE2020V76	
	Teflon	D526T1				Teflon	Consult Factory	
	Delrin	D526D1				Silicone	Consult Factory	
	Open Clearance	D526NF				Kalrez®	Consult Factory	
	Ni-Resist	D526N1			28	Spring		
7	Shaft & Pinion Assembly					40 - 180 PSI	E52S	1
	1U	DU1C13PK	1			100 - 250 PSI	E52H	
	3U	DU3C13PK	1		29	Poppet	E51C	1
	5U	DU5C13PK	1		30	Cap	E50C	1
7A	Tanged Shaft & Pinion Assy				31	Relief Valve Body	ED55A	1
	1U	DU1C13BC	1		32	Pipe Plug	ZA285	2
	3U	DU3C13BC	1		33	Screw, Valve Body	E90SC.8	4
	5U	DU5C13BC	1					
7B	Outboard Bearing Shaft & Pinion Assy (Not shown)							
	1U	DU1C13LPK	1					
	3U	DU3C13LPK	1					
	5U	DU5C13LPK	1					
8	Shaft Keyed	(Not sold separately)						
8A	Shaft-Tang	(Not sold separately)						
9	Pinion-Steel	(Not sold separately)						
10	Key 1/8 sq. x 1/2" Long	E13C50	1					



Viton® and Kalrez® are registered trademarks of DuPont Dow Elastomers