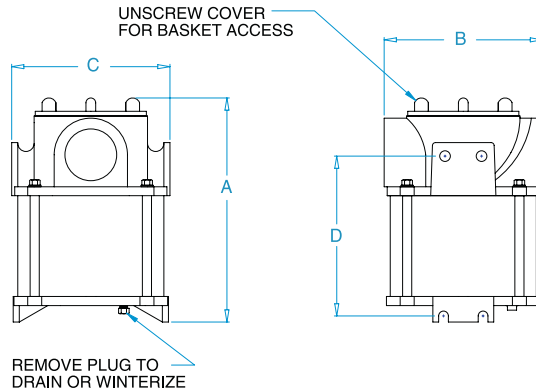
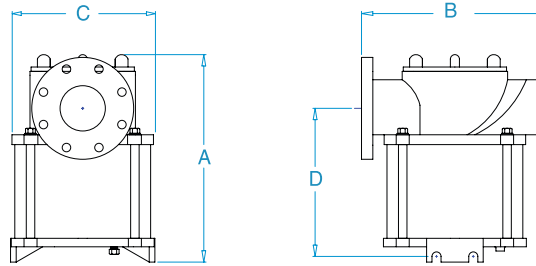


SE SERIES LARGE ENGINE STRAINERS

MODEL SE WITH NPT THREADED PORTS (4" ONLY)

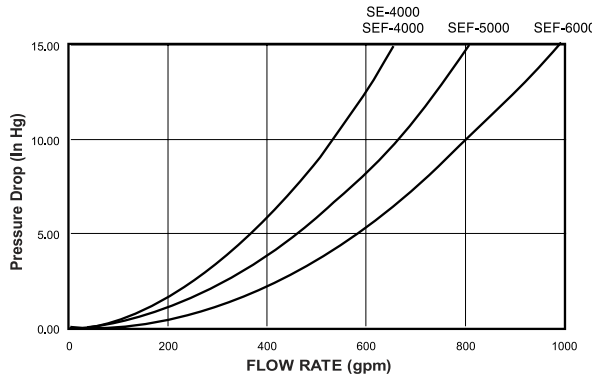


MODEL SEF WITH FLANGED PORTS 4", 5", 6"



FLANGES ON SEF SERIES STRAINERS
MATCH ANSI B16.5 - 1996 CLASS 150

MODEL ASEF WITH BRONZE ENCLOSURE, 4", 5", 6"



FEATURES

- For high-powered engines with 4", 5" or 6" intake.
- Cap and basket have replaceable zinc anode protection.
- Low restriction for maximum cooling water flow.
- No inside tie rods.
- Cover unscrews for easy filter basket cleaning.
- O-rings seal all mating surfaces.
- All models can be converted to HYDROMATIC™ (self-cleaning) operation.
- Improved cylindrical filter basket.
- #304-SS basket is standard with .077" holes (.125" and .188" hole sizes are optional).
- Monel basket is optional.
- Bronze flange adaptors are available for connecting pipe or hose to flanged strainers.

FLANGE ADAPTORS F-SERIES

The installation of GROCO® SEF or HSEF series strainers (or any other flanged equipment) can be simplified with the use of our bronze flange adaptors.



(RING GASKET IS INCLUDED)

F-Series adaptors match standard strainer flanges while permitting the use of NPT threaded pipe connection or a pipe-to-hose adaptor for hose connection.

4" (F-4000), 5" (F-5000) and 6" (F-6000) flange adaptors are available.

#304 SS Basket	Monel Basket	NPT Pipe Size	A	B	C	D	Ratio	Weight
SE-4000	SE-4000-M	4"	18.4	13.0	13.0	13.1	10.0	97.0
ASE-4000	ASE-4000-M	4"	18.4	13.0	13.0	13.1	10.0	123.6
SEF-4000	SEF-4000-M	4"	18.4	16.5	12.5	13.1	10.0	118.0
SEF-5000	SEF-5000-M	5"	18.4	16.5	12.5	13.5	8.1	134.0
SEF-6000	SEF-6000-M	6"	18.4	16.5	12.5	13.9	6.7	147.0
ASEF-4000	ASEF-4000-M	4"	18.4	16.5	12.5	13.1	10.0	144.6
ASEF-5000	ASEF-5000-M	5"	18.4	16.5	12.5	13.5	8.1	160.6
ASEF-6000	ASEF-6000-M	6"	18.4	16.5	12.5	13.9	6.7	173.6

- #304 stainless steel filter baskets are standard issue.
- Filter baskets have .077" (2mm) holes.
- Add suffix "FM" for 60-mesh fine-mesh filter basket insert. Other mesh counts are available by special order.
- For ABS compliance add prefix "A" to specify bronze enclosure instead of the plastic sight glass. (ie: ASEF-6000).