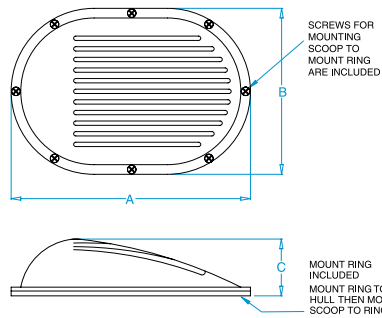
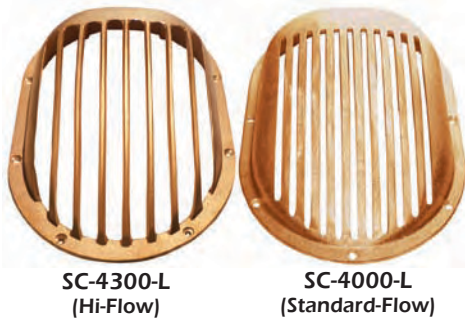


SC SERIES - SLOTTED STRAINER WITH MOUNT RING



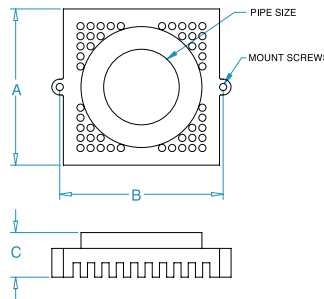
SC Series provides coarse primary filtration. SC hi-flow sizes (shaded versions below) provide greater flow and less restriction. SC-4300 is available now; smaller sizes available soon. All models are available with or without the mount ring.

BRONZE LESS RING	BRONZE WITH RING	ALUMINUM LESS RING	ALUMINUM WITH RING	MAX T-HULL	A	B	C	SCREWS	PKG	Ratio of Open Area to Pipe Size									
										1/2"	3/4"	1"	1-1/4"	1-1/2"	2"	2-1/2"	3"	4"	
SC-1000-L	SC-1000	SC-1000-L AL	SC-1000 AL	1"	5.25	3.62	1.25	6 #10	2	13.4	6.0	3.3	-	-	-	-	-	-	-
SC-1075-L	SC-1075	-	-	1"	5.25	3.62	1.25	6 #10	2	-	-	-	-	-	-	-	-	-	-
SC-1500-L	SC-1500	SC-1500-L AL	SC-1500 AL	1-1/2"	6.82	4.70	1.50	6 #10	2	20.2	9.0	5.0	3.2	2.2	-	-	-	-	-
SC-1512-L	SC-1512	-	-	1-1/2"	6.82	4.70	1.50	6 #10	2	-	-	-	-	-	-	-	-	-	-
SC-2500-L	SC-2500	SC-2500-L AL	SC-2500 AL	2-1/2"	8.50	6.00	2.00	6 #10	2	36.0	16.0	9.0	5.8	4.0	2.2	1.4	-	-	-
SC-2520-L	SC-2520	-	-	2-1/2"	8.50	6.00	2.00	6 #10	2	-	-	-	-	-	-	-	-	-	-
SC-4000-L	SC-4000	SC-4000-L AL	SC-4000 AL	4"	12.50	8.62	2.75	8 #10	2	109.0	48.4	27.2	17.4	12.1	6.8	4.4	3.0	1.7	-
SC-4300-L	SC-4300	-	-	4"	12.50	8.62	2.75	8 #10	2	176.0	78.2	43.9	28.2	19.6	11.0	7.0	4.9	2.8	-

Dimensions and ratios for aluminum models are identical to bronze models.

BS SERIES - BILGE STRAINER

- Use for preventing large debris in the bilge area from entering bilge pumps.
- Ideal for use with GROCO® SBV-P series Safety Seacock with side port.
- Threaded NPT for use with straight or 90° pipe to hose adaptors.



MODEL	NPT SIZE	A	B	C	USE WITH SBV-P MODEL	PKG
BS-750	3/4"	1.88"	2.13"	2.00"	-	1
BS-1000	1"	1.88"	2.13"	2.00"	SBV-1250-P	1
BS-1250	1-1/4"	3.40"	3.63"	2.00"	SBV-1500-P	1
BS-1500	1-1/2"	3.40"	3.63"	2.00"	SBV-2000-P	1
BS-2000	2"	5.25"	3.63"	2.00"	SBV-2500-P	1
BS-2500	2-1/2"	5.25"	3.63"	2.00"	SBV-3000-P	1
BS-3000	3"	5.25"	3.63"	2.00"	SBV-4000-P	1

SW-2531 SPANNER WRENCH/DECK PLATE KEY

- Among the features of ARG, SS, SD and BVS series strainers are provisions on the strainer cap for the use of a spanner wrench to loosen the cap before or after maintenance. Hand-tight is a sufficient seal for GROCO® strainers with threaded caps, but some boaters may prefer to "snug" the cover beyond hand-tight. NOTE: Do not use SW-2531 to tighten non-metallic caps.
- Cast bronze with stainless steel pins to fit 1/4" and 5/16" holes.
- Opens to service deck plates or strainer caps with key holes up to 7" apart.
- Hangs conveniently near the strainer(s) location.
- Package quantity is nine (9).

