

FULL-FLOW FLANGED SAFETY SEACOCKS

U.S. PATENT NO. 5,123,369

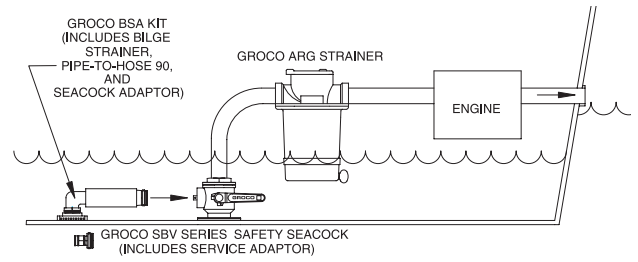
SBV SERIES



FEATURES

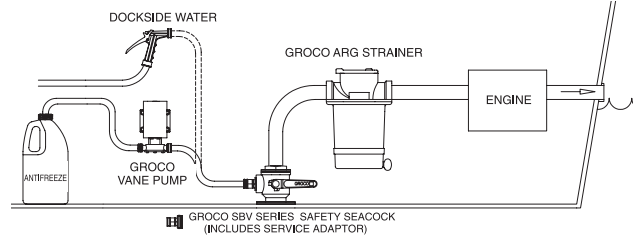
- Handle has square hole that accepts standard ratchet; helps access hard-to-reach valves, or ease actuation of hard-to-operate valves.
- Side port has a Quick-Release Plug for emergency bilge pumping, and a Service Adaptor for routine winterization and maintenance.
- Full flow.
- Serviceable while installed.
- Stainless steel ball and stem.
- Base has bonding attachment.
- PTFE seats and seals.
- Two driver ports permit handle relocation.
- Service adaptor included.

SBV FOR EMERGENCIES



Emergency bilge pumping can be accomplished by closing the SBV and removing the Quick Release Plug while the engine is running.

SBV FOR SERVICE



The Service Adaptor and a vane pump simplify winterization.

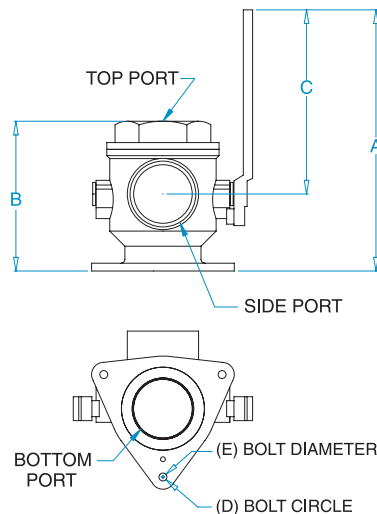
MODEL	BOTTOM PORT	TOP PORT	SIDE PORT	A	B	C	D	E	WEIGHT
*SBV-1250	1-1/4" NPS	1-1/4" NPT	SBVSA-1255	7.00	4.50	3.50	3.62	5/16	5.25
SBV-1500	1-1/2" NPS	1-1/2" NPT	SBVSA-1505	8.00	4.63	4.13	4.50	5/16	6.43
SBV-2000	2" NPS	2" NPT	SBVSA-2005	8.38	5.25	5.13	5.00	3/8	11.00
SBV-2500	2-1/2" NPS	2-1/2" NPT	SBVSA-2505	10.31	6.75	5.88	5.88	3/8	17.00
SBV-3000	3" NPS	3" NPT	SBVSA-3005	13.50	7.75	6.81	7.00	3/8	28.00

* Round base model, this size only

** Refer to SBV-P drawing for dimension reference

SBV-P SERIES

The purpose of the photo is to get your attention; we don't really provide two handles.



FEATURES

- Two driver ports permit handle relocation.
- NPT threaded side port accepts SSCV or any NPT threaded accessory.
- Handle has square hole that accepts standard ratchet; helps access hard-to-reach valves, or ease actuation of hard-to-operate valves.
- Full flow.
- Serviceable while installed.
- Stainless steel ball and stem.
- Base has bonding attachment.
- PTFE seats and seals.



MODEL	BOTTOM PORT	TOP PORT	SIDE PORT	SIDE ACCESSORY	A	B	C	D	E	WEIGHT
SBV-1250-P	1-1/4" NPS	1-1/4" NPT	1" NPT	SSCV-1000	7.00	4.50	3.50	3.62	5/16	5.25
*SBV-1500-P	1-1/2" NPS	1-1/2" NPT	1-1/4" NPT	SSCV-1250	8.00	4.63	4.13	4.50	5/16	6.43
SBV-2000-P	2" NPS	2" NPT	1-1/2" NPT	SSCV-1500	8.38	5.25	5.13	5.00	3/8	11.00
SBV-2500-P	2-1/2" NPS	2-1/2" NPT	2" NPT	SSCV-2000	10.31	6.75	5.88	5.88	3/8	17.00
SBV-3000-P	3" NPS	3" NPT	2-1/2" NPT	SSCV-2500	13.50	7.75	6.81	7.00	3/8	28.50
SBV-4000-P	4" NPS	4" NPT	3" NPT	SSCV-3000	19.20	9.60	14.13	8.00	1/2	56.00
SBV-5000-P	5" NPS	5" NPT	4" NPT	SSCV-3000	19.86	11.19	14.13	11.00	5/8	90.00

*Round base model, this size only