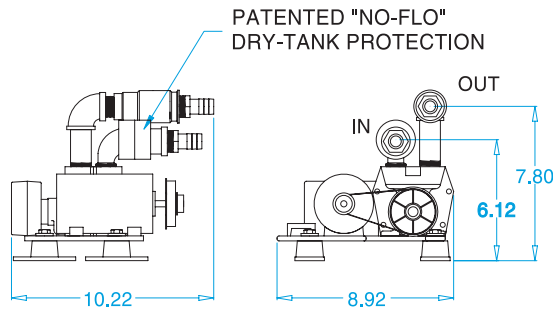


WATER PRESSURE SYSTEMS

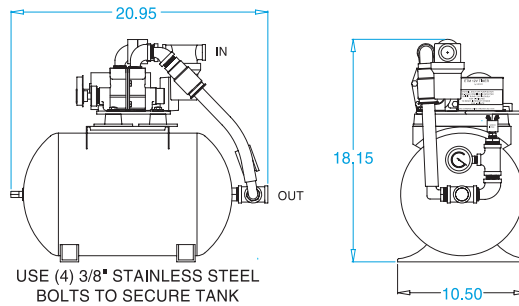
MODEL	YACHT SIZE	PRESSURE RANGE	MAX GPM	UL/CE	INCLUDES PRESSURE TANK	SELF PRIMING	BREAKER
PJR-A	Up to 50'	20-40	7.0	Yes	1-Gallon	Yes	30 @ 12V
PJR-B	Up to 50'	20-40	7.0	Yes	2-Gallon	Yes	30 @ 12V
PSR (DC)	Over 50'	30-50	11.0	Yes	Order Separately	Yes	50 @ 12V
PSR (AC)	Over 50'	30-50	11.0	No	Order Separately	Yes	10 @ 115V

PJR-A SERIES



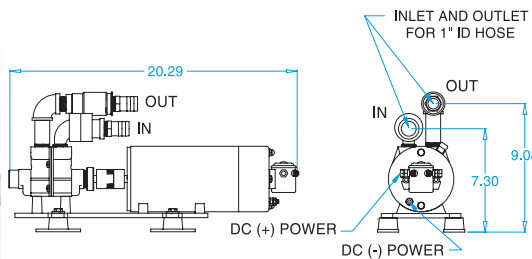
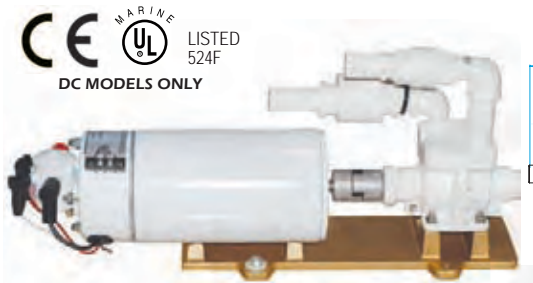
- Complies with NSF-61 low-lead standard.
- Compact and powerful 2-stage rotary pump.
- Pressure gauge and 3/4" strainer included.
- Patented NOFLO™ Dry-run protection.
- Includes PST-1.
- Order Model PJR for pump without the tank. **NOTE:** Tank is required for water pressure system application.

PJR-B SERIES



- Complies with NSF-61 low-lead standard.
- Compact and powerful 2-stage rotOry pump is tank-mounted, so installation is easy.
- Pressure gauge and 3/4" strainer included.
- Patented NOFLO™ Dry-run protection.

PSR SERIES



- Complies with NSF-61 low-lead standard.
- Powerful 2-stage rotory pump.
- AC models available.
- Pressure gauge and 1" strainer included.
- Patented NOFLO™ Dry-run protection.
- Order PST-2, 3, 4 or 5 tank separately.